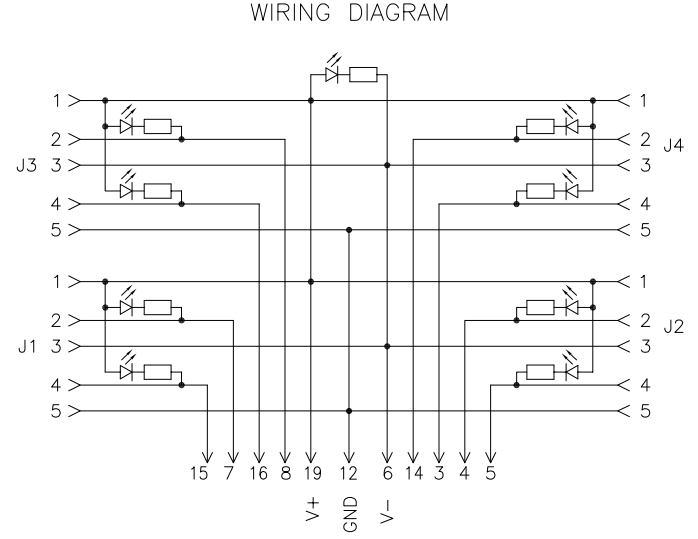
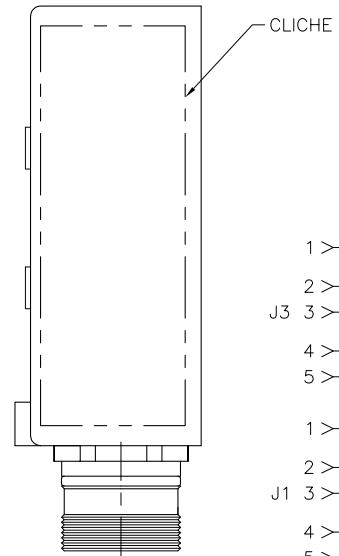
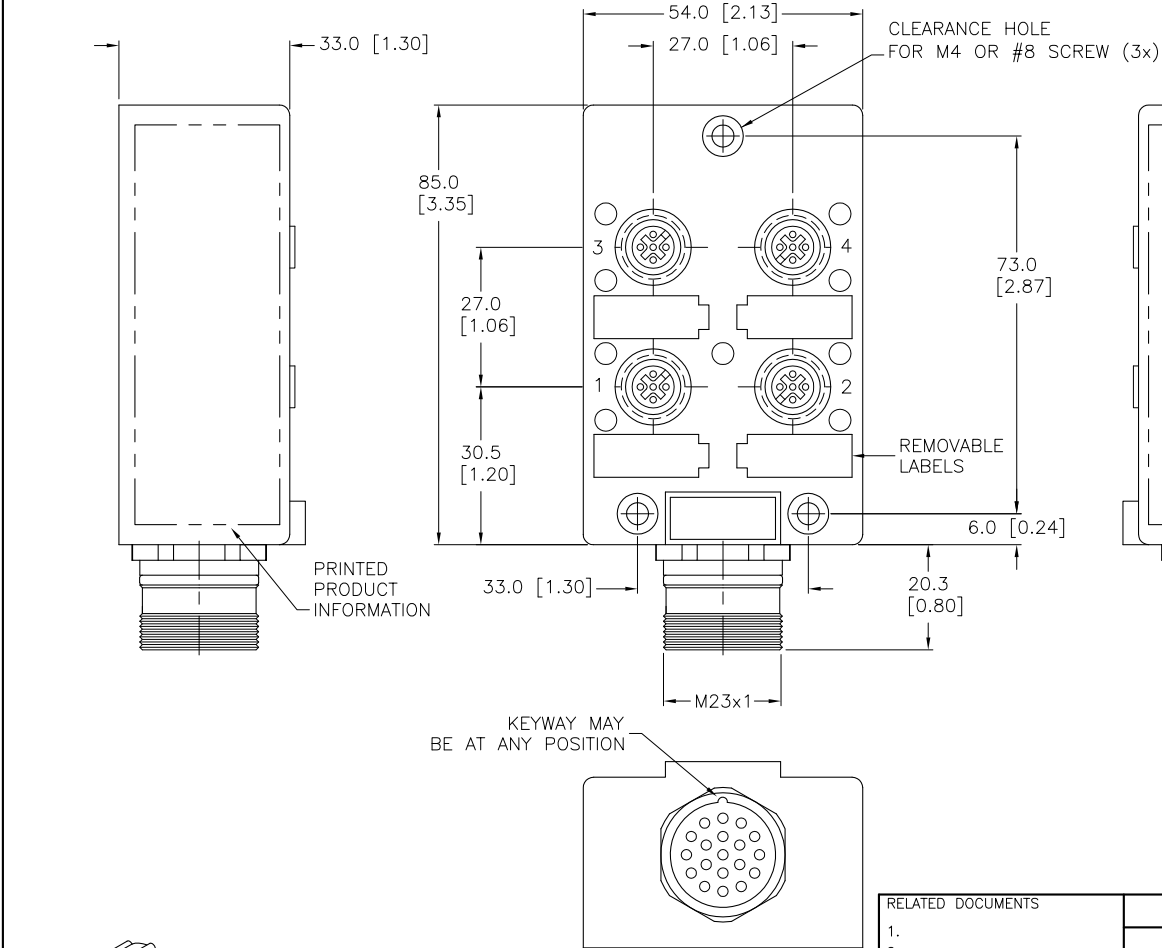
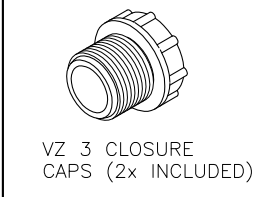


SPECIFICATIONS	
HOUSING/COLOR	NYLON/YELLOW
CONTACT CARRIER MATERIAL/COLOR (J1-J4)	TPU/BLACK
RECEPTACLE HOUSING MAT'L/PLATING (J1-J4)	BRASS/NICKEL
CONTACT MATERIAL/PLATING	BRASS/GOLD
SEALING RING	VITON O-RING
CONNECTOR HOUSING MAT'L/PLATING	BRASS/NICKEL
OPERATING VOLTAGE	10-48 VDC
MAXIMUM CURRENT	3 AMPS PER PORT, 9 AMPS TOTAL
PROTECTION CLASS	IP 67
OPERATING TEMPERATURE	-40°C to +80°C (-40°F to +176°F)



SOURCE DRAWING - FOR REFERENCE ONLY



RELATED DOCUMENTS 1. 2. 3. 4.	3RD ANGLE PROJECTION 	THIS DRAWING IS PROPERTY OF TURCK INC. USE OF THIS DOCUMENT WITHOUT WRITTEN PERMISSION IS PROHIBITED.		3000 CAMPUS DRIVE MINNEAPOLIS, MN 55441 1-800-544-7769 (763) 553-7300 (763) 553-0708 fax turck.com	
	MATERIAL SEE SPECIFICATIONS	DRFT DSGN	CBM SCALE 1=1.5	DATE 10/29/97 DESCRIPTION VB 40.5-N7X9-CS19	
	FINISH SEE SPECIFICATIONS	UNIT OF MEASUREMENT <b>MILLIMETER [ INCH ]</b>		IDENTIFICATION NO. U7016-11	REV B
	CONTACT TURCK FOR MORE INFORMATION		DO NOT SCALE THIS DRAWING		FILE: U7016-11

B	UPDATE DOCUMENTATION FOR BOX, SEE ECO	RDS	03/10/11	34455
REV	DESCRIPTION	BY	DATE	ECO NO.