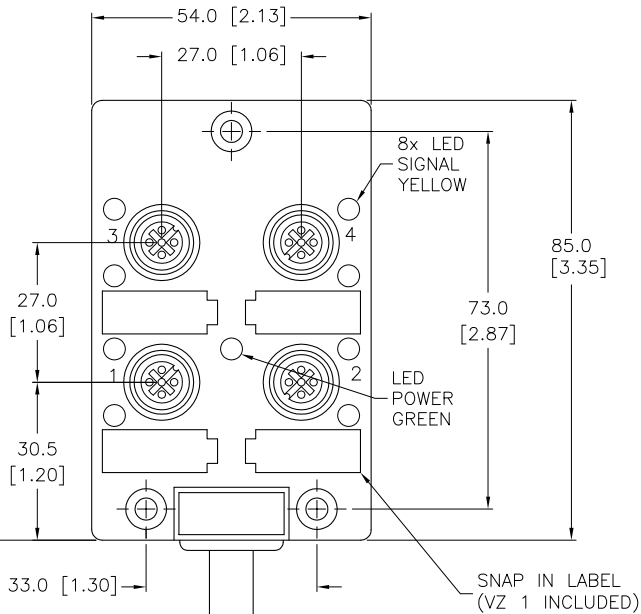
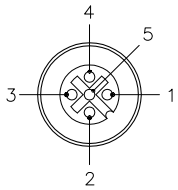
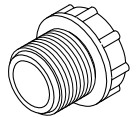


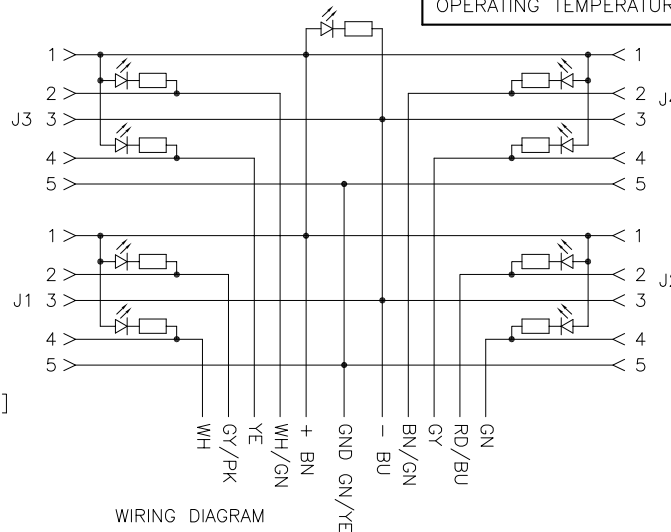
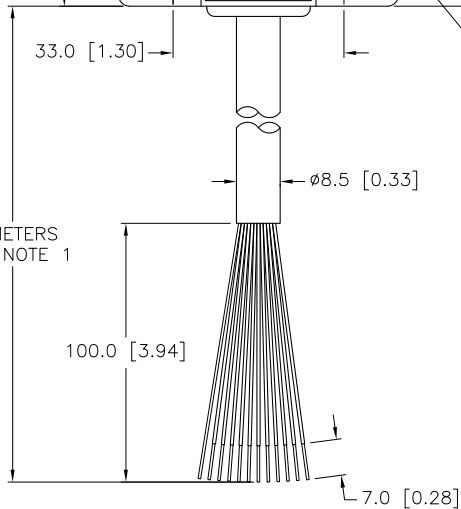
FEMALE END VIEW



* METERS
SEE NOTE 1



VZ 3 CLOSURE
CAPS (2x INCLUDED)



WIRING DIAGRAM

SPECIFICATIONS

CABLE DATA

OUTER JACKET MATERIAL/COLOR	PVC/YELLOW
CONDUCTOR INSULATION MATERIAL	PVC
NUMBER OF CONDUCTORS [AWG]	3x18 AWG, 8x22 AWG
DRAIN/SHIELD	22 AWG DRAIN/POLYESTER FOIL SHIELD

MATERIAL

HOUSING/COLOR	NYLON/YELLOW
CONTACT CARRIERS/COLOR	TPU
CONTACT MATERIAL/PLATING	BRASS/GOLD
RECEPTACLE HOUSING/PLATING	BRASS/NICKEL
SEALING RING	VITON O-RING

ELECTRICAL DATA

OPERATING CURRENT [A]	3.0 AMPS PER PORT, 9.0 AMPS TOTAL
OPERATING VOLTAGE [V]	10-48 VDC
LED CURRENT	12mA MAX AT 48VDC SUPPLY VOLTAGE(PER LED)

MECHANICAL DATA

PROTECTION CLASS	NEMA 1,3,4,6P AND IEC IP67
OPERATING TEMPERATURE	-40°C to +80°C (-40°F to +176°F)

CABLE LENGTH	TOLERANCE
ALL LENGTHS	+ 4% (OR 50mm) OF LENGTH - 0% (OR 0mm) OF LENGTH WHICHEVER IS GREATER
STRIP LENGTH	TOLERANCE
0-7mm	±0.5mm
8-29mm	±1.0mm
30-49mm	±2.0mm
50-69mm	±3.0mm
70-100mm	±4.0mm
OVER 100mm	±5.0mm

SOURCE DRAWING - FOR REFERENCE ONLY

NOTES:

- "*" DESIGNATES CABLE LENGTH IN METERS. CONTACT TURCK TO ORDER SPECIFIC LENGTHS.
- HOUSING THICKNESS IS 33.0mm.

RELATED DOCUMENTS 1. 2. 3. 4.	3RD ANGLE PROJECTION 	THIS DRAWING IS PROPERTY OF TURCK INC. USE OF THIS DOCUMENT WITHOUT WRITTEN PERMISSION IS PROHIBITED.		3000 CAMPUS DRIVE MINNEAPOLIS, MN 55441 1-800-544-7769 (763) 553-7300 (763) 553-0708 fax turck.com	
	MATERIAL SEE SPECIFICATIONS	DRFT RDS DSGN	DATE 05/30/08 SCALE 1=1.5	DESCRIPTION VB 40.5-N7X9-*	
FINISH SEE SPECIFICATIONS	ALL DIMENSIONS DISPLAYED ON THIS DRAWING ARE FOR REFERENCE ONLY	UNIT OF MEASUREMENT MILLIMETER [INCH]		IDENTIFICATION NO.	REV B
B DRAWING PROCESSED AS PART OF ECO 33971	CBM 04/06/11 33971	DO NOT SCALE THIS DRAWING		FILE: 777000570	SHEET 1 OF 1

REV	DESCRIPTION	BY	DATE	ECO NO.
-----	-------------	----	------	---------