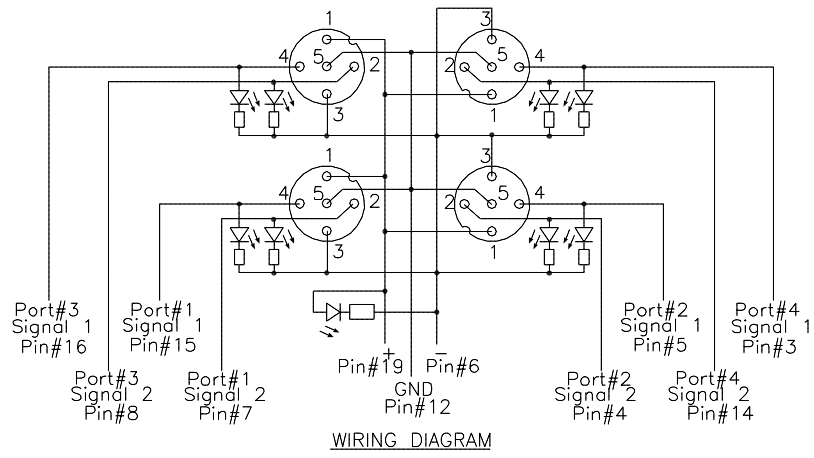
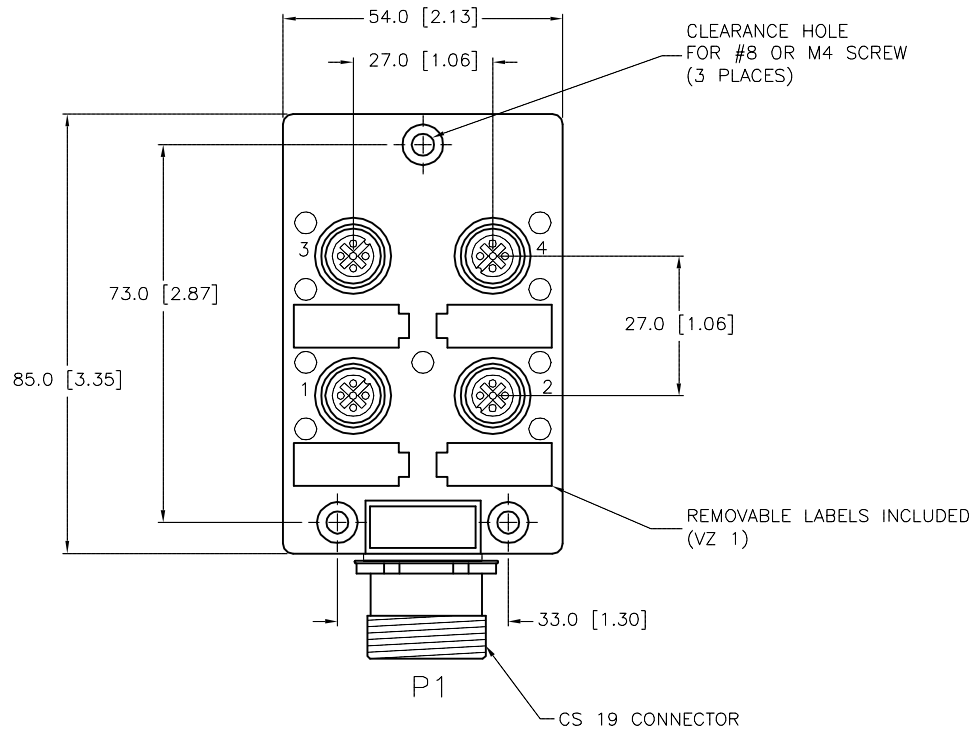
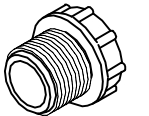


SPECIFICATIONS	
MATING CORDSET	CK 19-11-*
HOUSING/COLOR	NYLON/YELLOW
CONTACT CARRIERS/COLOR	TPU/BLACK
RECEPTACLE HOUSINGS MATL/PLATING	BRASS/NICKEL
CONTACTS MATERIAL/PLATING	COPPER ALLOY/GOLD
SEALING RING	VITON O-RING
CONNECTOR HOUSING MATL/PLATING	BRASS/NICKEL
OPERATING VOLTAGE	10-48 VDC
MAXIMUM CURRENT	3 AMPS PER PORT, 9 AMPS TOTAL
LED FUNCTION	FOR PNP SENSOR OUTPUT
PROTECTION CLASS to DIN 40050	IP 67 ONLY WHEN ALL RECEPTACLES ARE COVERED WITH PLUGS OR CONNECTED
OPERATING TEMPERATURE	-30°C to +80°C (-22°F to +176°F)



WIRING DIAGRAM



VZ 3 CLOSURE CAPS (INCLUDED)

NOTE:
1. HOUSING HEIGHT: 33.0 mm [1.30 in.]

RELATED DOCUMENTS 1. 8-RDV-108 2. 3. 4.	3RD ANGLE PROJECTION 	THIS DRAWING IS CONFIDENTIAL AND THE PROPERTY OF TURCK INC. USE OF THIS DOCUMENT WITHOUT WRITTEN PERMISSION IS PROHIBITED.		3000 CAMPUS DRIVE MINNEAPOLIS, MN 55441 1-800-544-7769 (763) 553-7300 (763) 553-0708 fax turck.com	
	MATERIAL	DRFT RJP	DATE 10/3/96	DESCRIPTION VB 40.5-P7X9-CS19	
FINISH	ALL DIMENSIONS DISPLAYED ON THIS DRAWING ARE FOR REFERENCE ONLY	APVD	SCALE 1=1.5	IDENTIFICATION NO. U7016-4	
CONTACT TURCK FOR MORE INFORMATION		UNIT OF MEASUREMENT MILLIMETER [INCH]		REV E	
DO NOT SCALE THIS DRAWING		FILE: U7016-4		SHEET 1 OF 1	

REV	DESCRIPTION	BY	DATE	ECO NO.
E	UPDATE HOUSING COLOR & OPERATING TEMP SPECIFICATION	KMY	10/02/13	43509