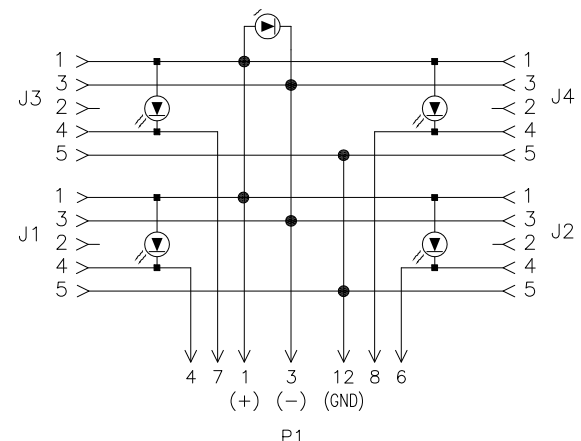
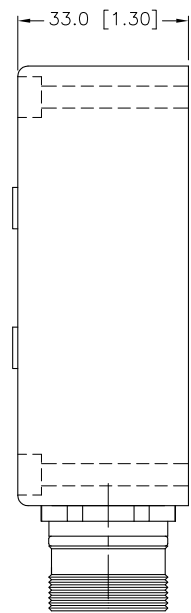
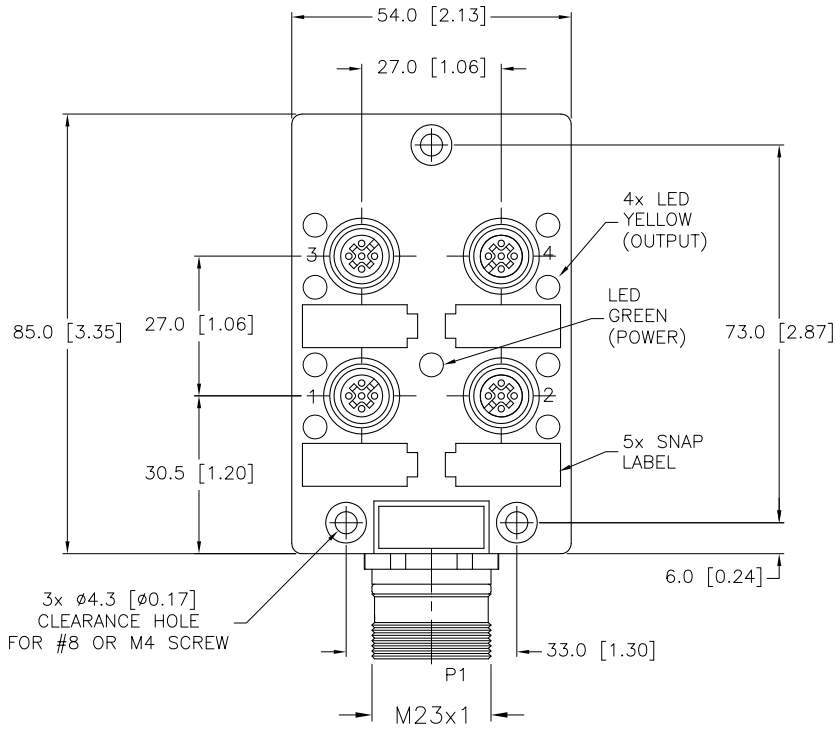


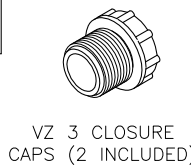
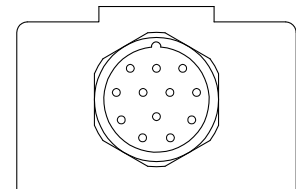
SPECIFICATIONS	
CONTACT CARRIER MATERIAL/COLOR	NYLON OR TPU/BLACK
CONTACT MATERIAL/PLATING	BRASS/GOLD
HOUSING MATERIAL/PLATING	BRASS/NICKEL (P1)
HOUSING MATERIAL/COLOR	NYLON/YELLOW
O-RING MATERIAL	VITON
RATED CURRENT [A]	4 AMPS PER PORT, 9 AMPS TOTAL
RATED VOLTAGE [V]	10-48 V
TEMPERATURE RANGE	-40°C to +80°C (-40°F to +176°F)
PROTECTION CLASS	MEETS IEC IP67, ONLY WHEN ALL RECEPTACLES ARE COVERED WITH PLUGS OR CONNECTED



WIRING DIAGRAM

SOURCE DRAWING - FOR REFERENCE ONLY

NOTES:
1. MATING CORDSET CKM-12-7-* SOLD SEPERATLY.



RELATED DOCUMENTS 1. 2. 3. 4.	3RD ANGLE PROJECTION	THIS DRAWING IS PROPERTY OF TURCK INC. USE OF THIS DOCUMENT WITHOUT WRITTEN PERMISSION IS PROHIBITED.	 High Technology Sensors and Automation Controls		3000 CAMPUS DRIVE MINNEAPOLIS, MN 55441 1-800-544-7769 (763) 553-7300 (763) 553-0708 fax turck.com	
	MATERIAL SEE SPECIFICATIONS		DRFT RJP	DATE 11/16/95	DESCRIPTION VB 40-N7X5-CS12	
FINISH SEE SPECIFICATIONS	ALL DIMENSIONS DISPLAYED ON THIS DRAWING ARE FOR REFERENCE ONLY	CONTACT TURCK FOR MORE INFORMATION	DSGN	SCALE 1=1.5	IDENTIFICATION NO. U7009-4	REV C
DO NOT SCALE THIS DRAWING			UNIT OF MEASUREMENT MILLIMETER [INCH]		FILE: U7009-4	SHEET 1 OF 1

C	DRAWING PROCESSED AS PART OF ECO 33971	CBM	04/07/11	33971
REV	DESCRIPTION	BY	DATE	ECO NO.