

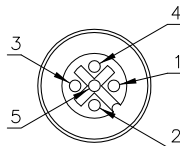
VZ 3 CLOSURE CAPS (INCLUDED)

CABLE LENGTH	TOLERANCE
ALL LENGTHS	+ 4% (OR 50mm) OF LENGTH - 0% (OR 0mm) OF LENGTH WHICHEVER IS GREATER
STRIP LENGTH	TOLERANCE
0-7mm	±0.5mm
8-29mm	±1.0mm
30-49mm	±2.0mm
50-69mm	±3.0mm
70-100mm	±4.0mm
OVER 100mm	±5.0mm

NOTES:

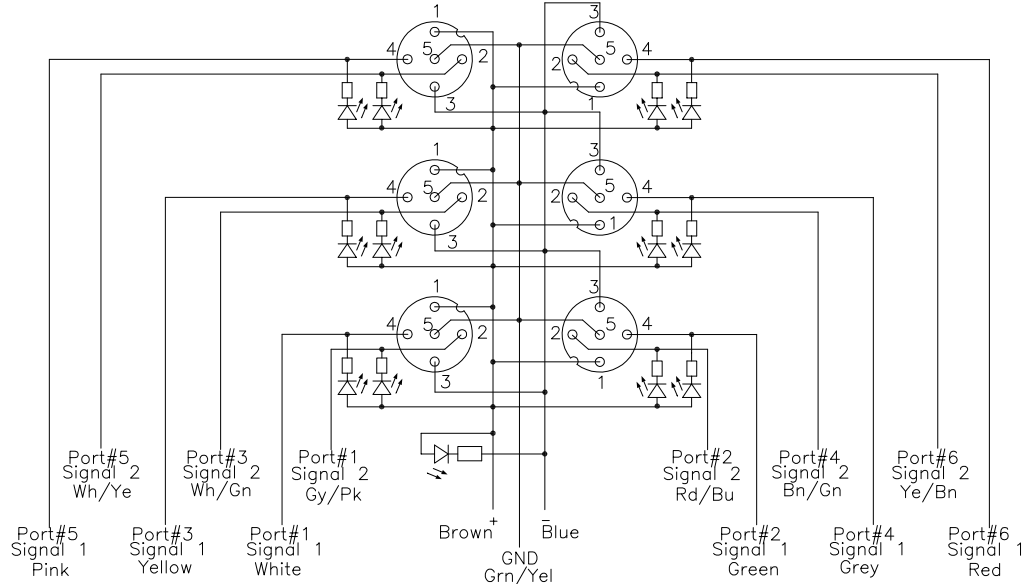
- HOUSING THICKNESS IS 33.0 mm.
- "*" DESIGNATES CABLE LENGTH IN METERS. CONTACT TURCK TO ORDER SPECIFIC LENGTHS.

CONNECTORS J1-J6



SPECIFICATIONS

INDIVIDUAL LEADS	3x18, 12x22 AWG, DRAIN
HOUSING	PA 6 GF 30 (NYLON)
CONTACT CARRIERS	TPU
CONTACTS	GOLD PLATED COPPER ALLOY
RECEPTACLES/DISCONNECT	NICKEL PLATED BRASS
SEALING RING	VITON O-RING
OPERATING VOLTAGE	10-48 VDC
MAXIMUM CURRENT	3 AMPS PER PORT, 9 AMPS TOTAL
INSULATION CLASS	CLASS C to DIN VDE 0110
LED FUNCTION	FOR NPN SENSOR OUTPUT
PROTECTION CLASS to DIN 40050	IP 67 - ONLY WHEN ALL RECEPTACLES ARE COVERED WITH PLUGS OR CONNECTED
OPERATING TEMPERATURE	-40°C to 90°C (-40°F to 194°F)



WIRING DIAGRAM SOURCE DRAWING - FOR REFERENCE ONLY

RELATED DOCUMENTS	3RD ANGLE PROJECTION	THIS DRAWING IS PROPERTY OF TURCK INC. USE OF THIS DOCUMENT WITHOUT WRITTEN PERMISSION IS PROHIBITED.		3000 CAMPUS DRIVE MINNEAPOLIS, MN 55441 1-800-544-7769 (763) 553-7300 (763) 553-0708 fax turck.com	
1. 2. 3. 4.		DRFT	RDS	DATE	05/02/02
MATERIAL	ALL DIMENSIONS DISPLAYED ON THIS DRAWING ARE FOR REFERENCE ONLY	DSGN		SCALE	1=2.0
FINISH		UNIT OF MEASUREMENT		DESCRIPTION	
	CONTACT TURCK FOR MORE INFORMATION	MILLIMETER [INCH]		VB 60.5-N7X13-*	
		DO NOT SCALE THIS DRAWING		IDENTIFICATION NO.	REV
				FILE: 777000395	D
				SHEET 1 OF 1	

D	UPDATE DRAWING PER ECO	TR	07/15/11	35695
REV	DESCRIPTION	BY	DATE	ECO NO.