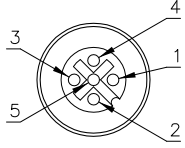

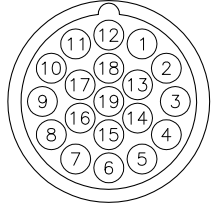
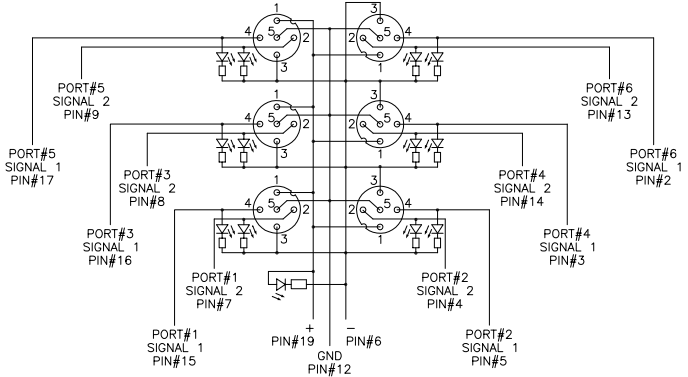
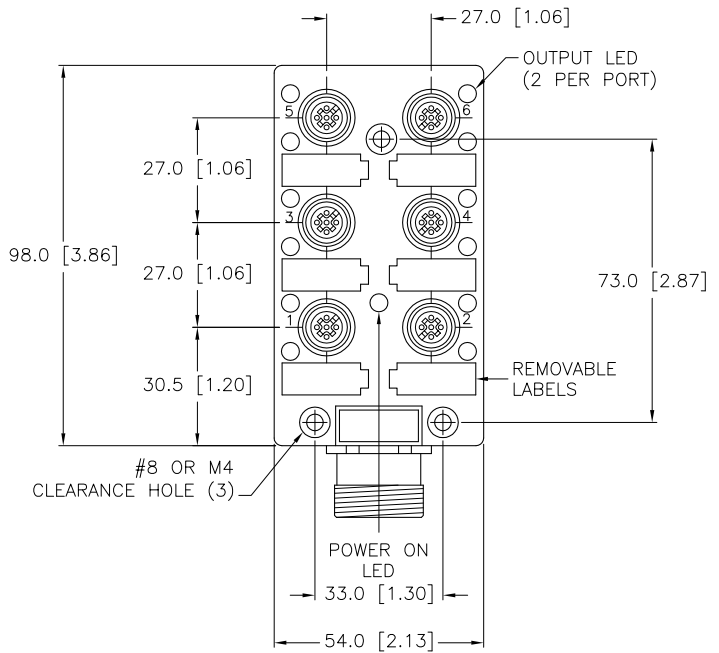
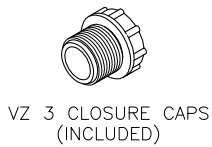


CONNECTORS J1-J6	CS 19 PINOUT	SPECIFICATIONS	
 		CONNECTOR	CS 19 SERIES
		MATING CORDSET	CK 19-15-*
		HOUSING	PA 6 GF 30 (NYLON)
		CONTACT CARRIERS	TPU
		CONTACTS	GOLD PLATED COPPER ALLOY
		RECEPTACLES/DISCONNECT	NICKEL PLATED BRASS
		SEALING RING	VITON O-RING
		OPERATING VOLTAGE	10-48 VDC
		MAXIMUM CURRENT	3 AMPS PER PORT, 9 AMPS TOTAL
		INSULATION CLASS	CLASS C to DIN VDE 0110
		LED FUNCTION	FOR PNP SENSOR OUTPUT
		PROTECTION CLASS to DIN 40050	IP 67 - ONLY WHEN ALL RECEPTACLES ARE COVERED WITH PLUGS OR CONNECTED
		OPERATING TEMPERATURE	-40°C to 90°C (-40°F to 194°F)

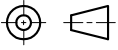


WIRING DIAGRAM

SOURCE DRAWING - FOR REFERENCE ONLY



- USE MATING CORDSET CK 19-15-* (SOLD SEPERATELY).
- HOUSING THICKNESS IS 33.0 mm.

RELATED DOCUMENTS 1. 2. 3. 4.	3RD ANGLE PROJECTION 	THIS DRAWING IS PROPERTY OF TURCK INC. USE OF THIS DOCUMENT WITHOUT WRITTEN PERMISSION IS PROHIBITED.		3000 CAMPUS DRIVE MINNEAPOLIS, MN 55441 1-800-544-7769 (763) 553-7300 (763) 553-0708 fax turck.com	
	MATERIAL	DRFT RJP DSGN	DATE 10/3/96 SCALE 1=2.0	DESCRIPTION VB 60.5-P7X13-CS19	
FINISH	ALL DIMENSIONS DISPLAYED ON THIS DRAWING ARE FOR REFERENCE ONLY CONTACT TURCK FOR MORE INFORMATION	UNIT OF MEASUREMENT MILLIMETER [INCH]		IDENTIFICATION NO. U0222-1	REV E
E DRAWING PROCESSED AS PART OF ECO 33971 REV DESCRIPTION		CBM 04/07/11 33971 BY DATE ECO NO.	DO NOT SCALE THIS DRAWING FILE: U0222-1 SHEET 1 OF 1		