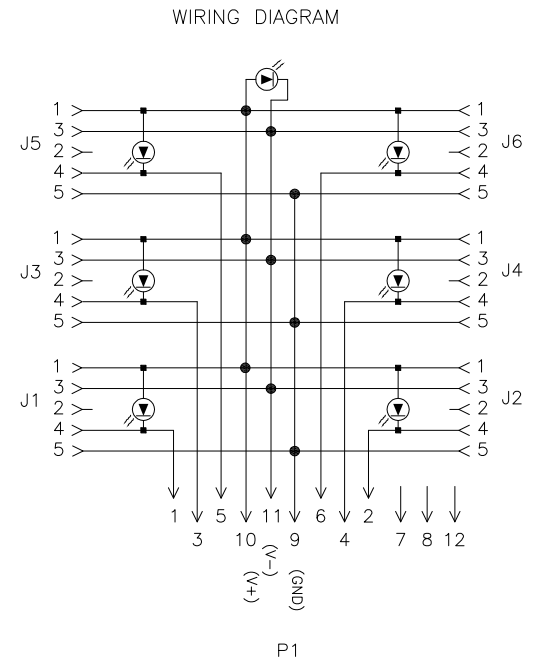
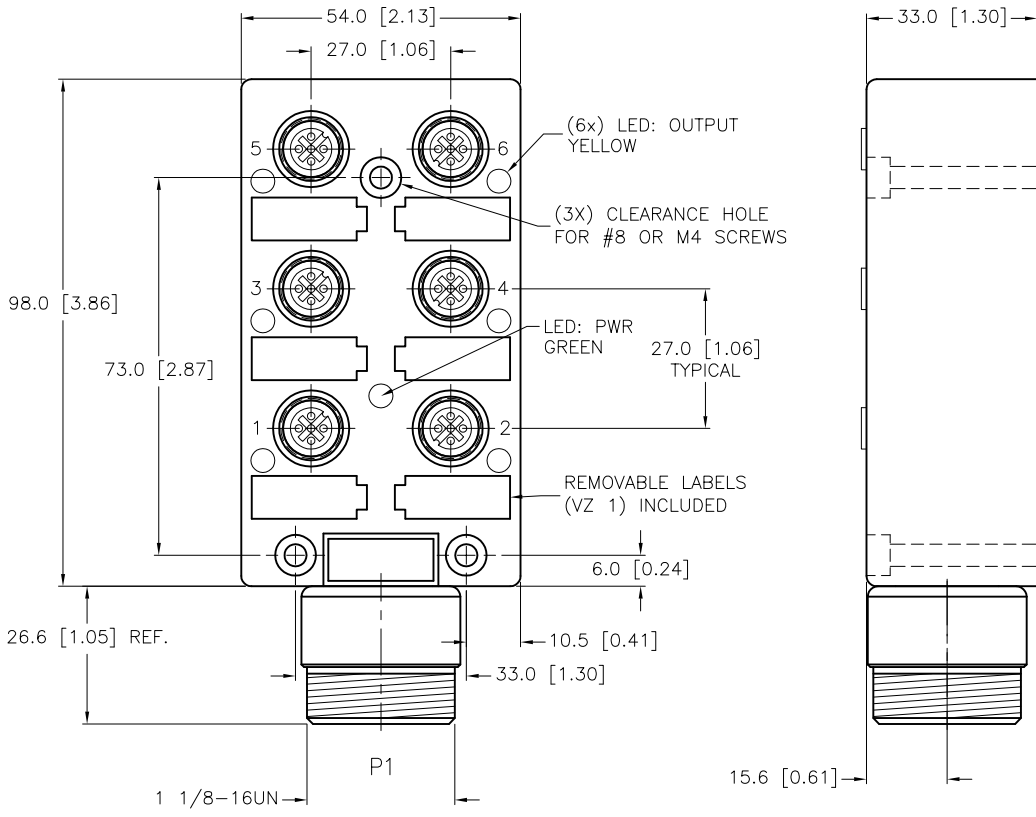
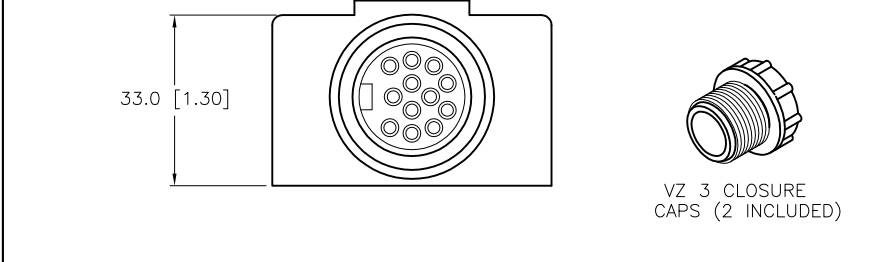


SPECIFICATIONS	
MATERIAL	
HOUSING/COLOR	NYLON/YELLOW
RECEPTACLE	NICKEL-PLATED BRASS
CONTACT CARRIERS/COLOR	NYLON OR TPU/BLACK
CONTACTS	GOLD-PLATED BRASS
SEALING RING	VITON O-RING
ELECTRICAL DATA	
OPERATING VOLTAGE	10-48 VDC
OPERATING CURRENT	4.0 AMPS PER PORT, 10 AMPS TOTAL
LED FUNCTION	for NPN SENSOR OUTPUT
MECHANICAL DATA	
PROTECTION CLASS to DIN 40050	IP 67 - ONLY WHEN ALL RECEPTACLES ARE COVERED WITH PLUGS OR CONNECTED
OPERATING TEMPERATURE	-30°C to +80°C (-25°F to +176°F)



SOURCE DRAWING - FOR REFERENCE ONLY



RELATED DOCUMENTS 1. 2. 3. 4.	3RD ANGLE PROJECTION 	THIS DRAWING IS CONFIDENTIAL AND THE PROPERTY OF TURCK INC. USE OF THIS DOCUMENT WITHOUT WRITTEN PERMISSION IS PROHIBITED.		3000 CAMPUS DRIVE MINNEAPOLIS, MN 55441 1-800-544-7769 (763) 553-7300 (763) 553-0708 fax turck.com	
		DRFT	GAR	DATE	06/01/07
MATERIAL	SEE SPECIFICATIONS	APVD		SCALE	1=1.5
FINISH	SEE SPECIFICATIONS	UNIT OF MEASUREMENT		IDENTIFICATION NO.	REV
	CONTACT TURCK FOR MORE INFORMATION	MILLIMETER [INCH]		U0923-44	E
DO NOT SCALE THIS DRAWING		FILE: U0923-44		SHEET 1 OF 1	

E	REMOVE TRADEMARKED MATERIAL REFERENCES	CBM	11/16/12	40471
REV	DESCRIPTION	BY	DATE	ECO NO.