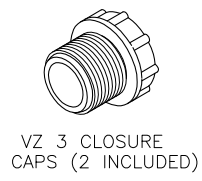
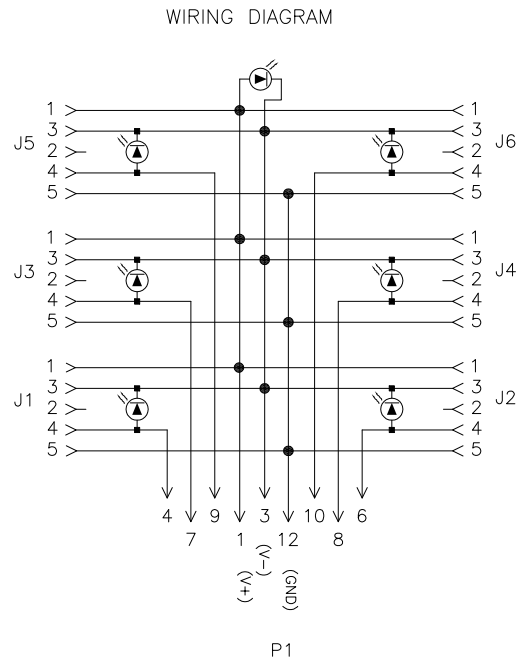
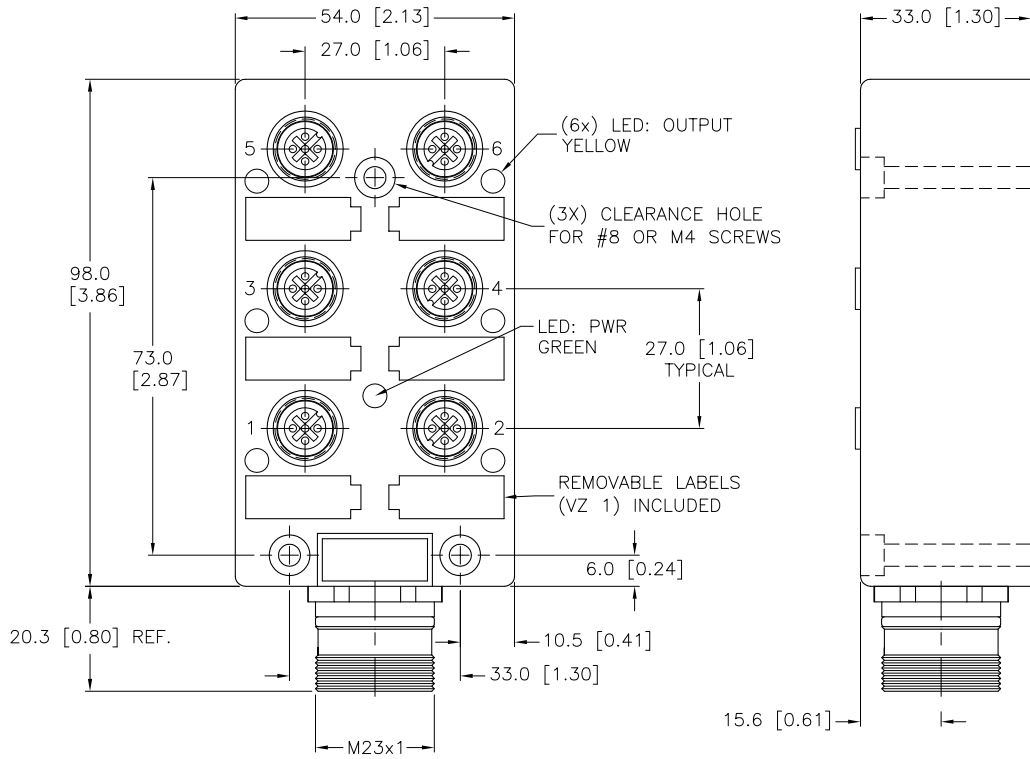


SPECIFICATIONS	
MATERIAL	
HOUSING/COLOR	NYLON/YELLOW
RECEPTACLE	BRASS/NICKEL
CONTACT CARRIERS/COLOR	NYLON OR TPU/BLACK
CONTACTS	BRASS/GOLD
SEALING RING	VITON O-RING
ELECTRICAL DATA	
OPERATING VOLTAGE	10-48 VDC
OPERATING CURRENT	4.0 AMPS PER PORT, 10 AMPS TOTAL
MECHANICAL DATA	
PROTECTION CLASS to DIN 40050	IP 67 - ONLY WHEN ALL RECEPTACLES ARE COVERED WITH PLUGS OR CONNECTED
OPERATING TEMPERATURE	-30°C to +80°C (-25°F to +176°F)



RELATED DOCUMENTS 1. 2. 3. 4.	3RD ANGLE PROJECTION	THIS DOCUMENT IS PROPERTY OF TURCK INC. USE OF THIS DOCUMENT WITHOUT WRITTEN PERMISSION IS PROHIBITED.	3000 CAMPUS DRIVE MINNEAPOLIS, MN 55441 1-800-544-7769 (612) 553-7300 (612) 553-0708 fax www.turck.com	
			<b>TURCK INC</b> High Technology Sensors and Automation Controls	DESCRIPTION VB 60-P7X7-CS12
MATERIAL SEE SPECIFICATIONS	DRFT RJP	DATE 12/09/94	IDENTIFICATION NO. U7030	
FINISH SEE SPECIFICATIONS	ALL DIMENSIONS DISPLAYED ON THIS DRAWING ARE FOR REFERENCE ONLY	DSGN	SCALE 1=1.5	REV G
CONTACT TURCK FOR MORE INFORMATION		UNIT OF MEASUREMENT <b>MILLIMETER [ INCH ]</b>		FILE: U7030
DO NOT SCALE THIS DRAWING		SHEET 1 OF 1		

G	DRAWING PROCESSED AS PART OF ECO 33971	CBM	04/07/11	33971
REV	DESCRIPTION	BY	DATE	ECO NO.