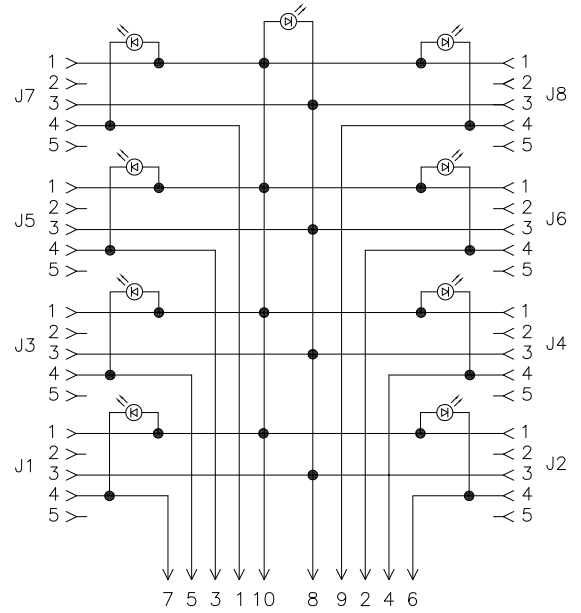
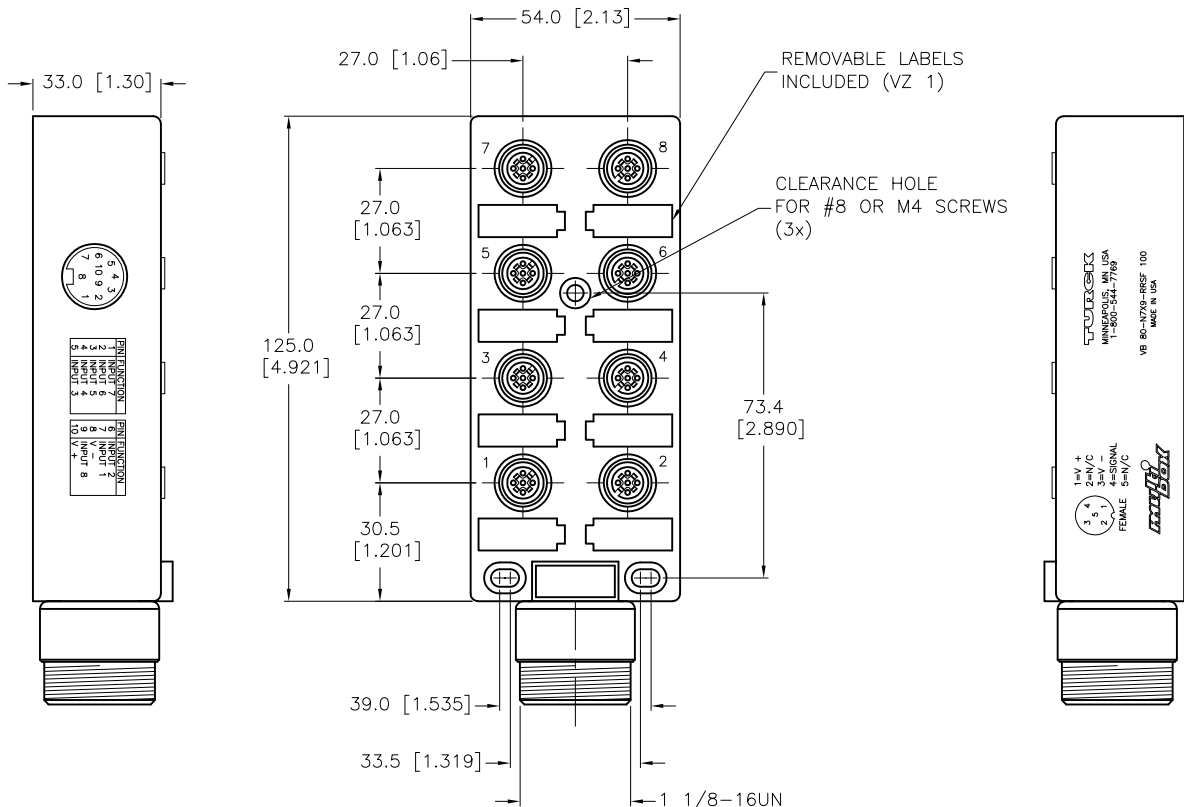


SPECIFICATIONS	
HOUSING/COLOR	NYLON/YELLOW
RECEPTACLE	NICKEL-PLATED BRASS
CONTACT CARRIERS/COLOR	NYLON/BLACK (J1-J8), TPU/YELLOW (P1)
CONTACTS	GOLD-PLATED BRASS
SEALING RING	VITON O-RING
OPERATING VOLTAGE	10-48 VDC
OPERATING CURRENT	4.0 AMPS PER PORT, 9.0 AMPS TOTAL
SPACINGS	to VDE 0110 GROUP C (EUROFAST)
PROTECTION CLASS to DIN 40050	IP 67 - ONLY WHEN ALL RECEPTACLES ARE COVERED WITH PLUGS OR CONNECTED
OPERATING TEMPERATURE	-30°C to +80°C (-25°F to +176°F)



SOURCE DRAWING - FOR REFERENCE ONLY



VZ 3 CLOSURE CAPS (INCLUDED)

RELATED DOCUMENTS 1. 2. 3. 4.	3RD ANGLE PROJECTION 	THIS DRAWING IS CONFIDENTIAL AND THE PROPERTY OF TURCK INC. USE OF THIS DOCUMENT WITHOUT WRITTEN PERMISSION IS PROHIBITED.		3000 CAMPUS DRIVE MINNEAPOLIS, MN 55441 1-800-544-7769 (763) 553-7300 (763) 553-0708 fax turck.com	
		DRFT RWC	DATE 09/16/04	DESCRIPTION VB 80-N7X9-RRSF 100	
MATERIAL SEE SPECIFICATION	ALL DIMENSIONS DISPLAYED ON THIS DRAWING ARE FOR REFERENCE ONLY	DSGN	SCALE 1=2.0	IDENTIFICATION NO. U7011-3	
FINISH SEE SPECIFICATION		UNIT OF MEASUREMENT MILLIMETER [INCH]		REV E	
E REMOVE TRADEMARKED MATERIAL REFERENCES REV DESCRIPTION		CBM 11/16/12	40471	DO NOT SCALE THIS DRAWING	
		BY	DATE	ECO NO.	FILE: U7011-3
				SHEET 1 OF 1	