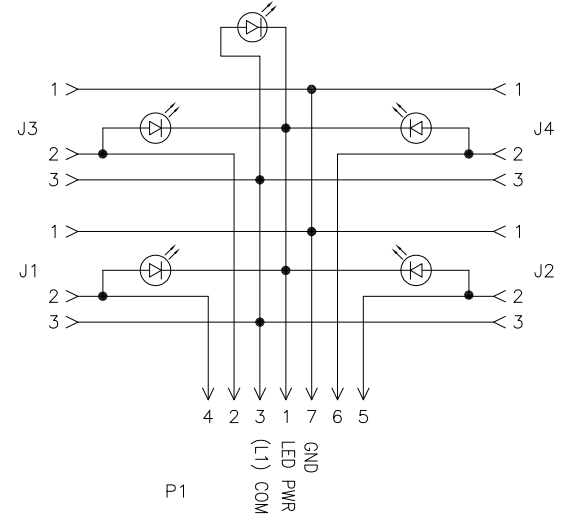
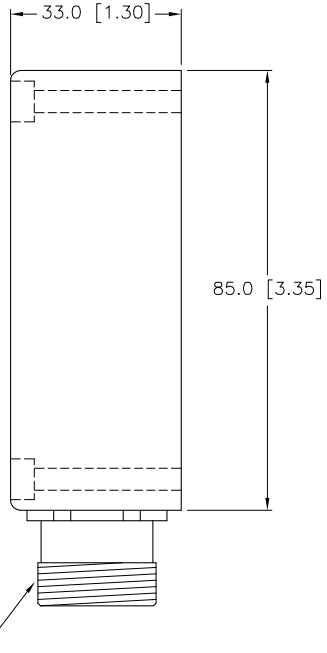
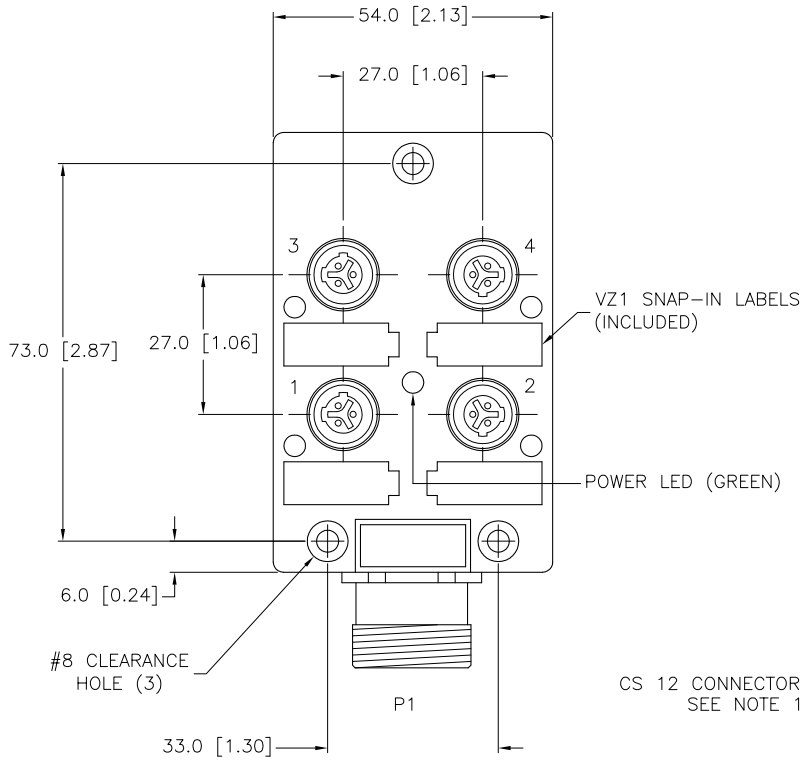


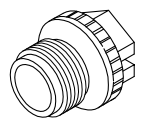
SPECIFICATIONS	
HOUSING MATERIAL/COLOR	NYLON/YELLOW
RECEPTACLE MATERIAL/PLATING	BRASS/NICKEL
CONTACT CARRIERS/COLOR	NYLON or PBT/BLACK (J1-J4), GRAY (P1)
CONTACT MATERIAL/PLATING	BRASS/GOLD
OPERATING VOLTAGE	40-120 VAC
OPERATING CURRENT	4.0 AMPS PER PORT, 7.0 AMPS TOTAL
PROTECTION CLASS to DIN 40050	NEMA 1,3,4,6P and IP 67 - ONLY WHEN ALL RECEPTACLES ARE COVERED WITH PLUGS OR CONNECTED
OPERATING TEMPERATURE	-30°C to +80°C (-22°F to +176°F)



WIRING DIAGRAM

SOURCE DRAWING - FOR REFERENCE ONLY

RELATED DOCUMENTS 1. 20101195 2. 3. 4.	3RD ANGLE PROJECTION	THIS DRAWING IS PROPERTY OF TURCK INC. USE OF THIS DOCUMENT WITHOUT WRITTEN PERMISSION IS PROHIBITED.	 High Technology Sensors and Automation Controls		3000 CAMPUS DRIVE MINNEAPOLIS, MN 55441 1-800-544-7769 (763) 553-7300 (763) 553-0708 fax turck.com	
	MATERIAL		DRFT JBJ	DATE 7/2/98	DESCRIPTION VBKB 40-X5-CS12	
FINISH	ALL DIMENSIONS DISPLAYED ON THIS DRAWING ARE FOR REFERENCE ONLY	CONTACT TURCK FOR MORE INFORMATION	DSGN	SCALE 1=1.5	IDENTIFICATION NO. U0112-12	REV C
			UNIT OF MEASUREMENT MILLIMETER [INCH]			FILE: U0112-12
C	UPDATE SOURCE DRAWING PER REDLINE	RDS	02/01/10	29780		
REV	DESCRIPTION	BY	DATE	ECO NO.		



SB-CC CLOSURE CAPS (2 INCLUDED)

C	UPDATE SOURCE DRAWING PER REDLINE	RDS	02/01/10	29780
REV	DESCRIPTION	BY	DATE	ECO NO.