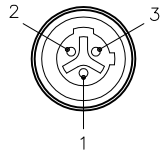


FEMALE END VIEW



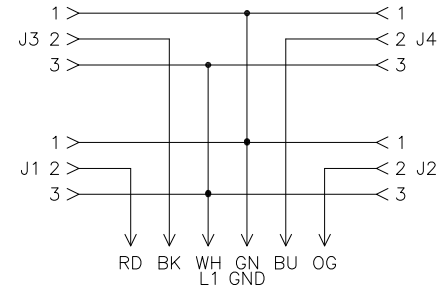
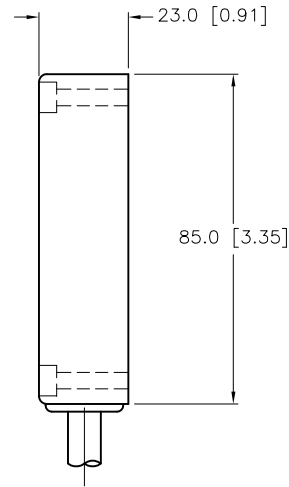
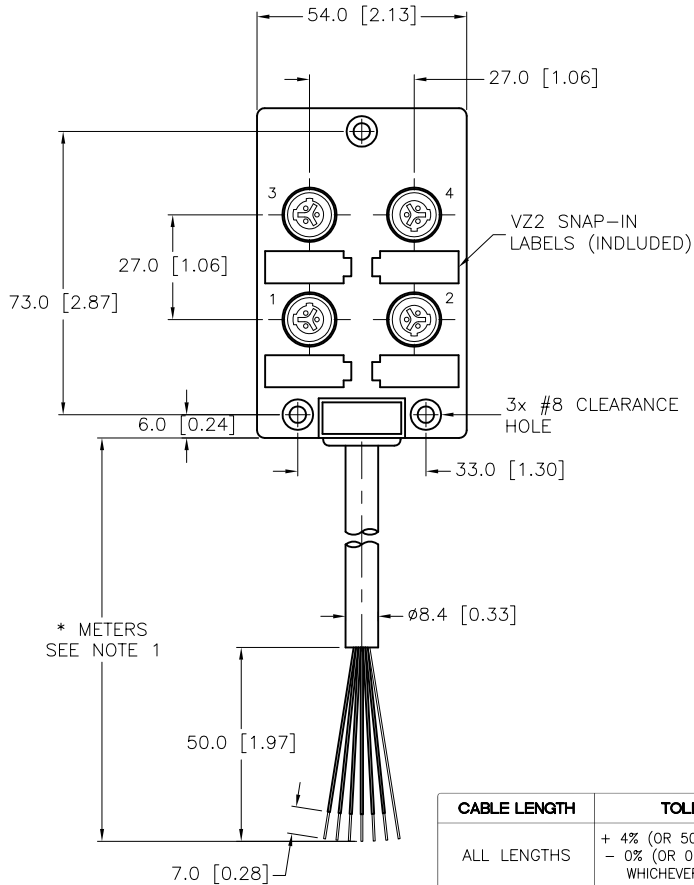
- 1 = GROUND
- 2 = LOAD (L2)
- 3 = COMMON (L1)



SB-CC CLOSURE
CAPS (2x INCLUDED)

SPECIFICATIONS

HOUSING MATERIAL/COLOR	NYLON/YELLOW
CONTACT MATERIAL/PLATING	BRASS/GOLD
CONTACT CARRIES/COLOR	NYLON/BLACK
RATED CURRENT [A]	4.0 A PER PORT, 9.0 A TOTAL
RATED VOLTAGE [V]	250 VAC/300 VDC
OUTER JACKET MATERIAL/COLOR	PVC/BLACK
CONDUCTOR INSULATION MATERIAL	PVC
NUMBER OF CONDUCTORS [AWG]	6x18 AWG
DRAIN/SHIELD	20 AWG DRAIN/ALUMINUM POLYESTER FOIL SHIELD
TEMPERATURE RANGE	-40°C to +105°C (-40°F to +221°F)
PROTECTION CLASS	NEMA 1,3,4,6P AND IEC IP67



P1
WIRING DIAGRAM

* METERS
SEE NOTE 1

CABLE LENGTH	TOLERANCE
ALL LENGTHS	+ 4% (OR 50mm) OF LENGTH - 0% (OR 0mm) OF LENGTH WHICHEVER IS GREATER
STRIP LENGTH	TOLERANCE
0-7mm	±0.5mm
8-29mm	±1.0mm
30-49mm	±2.0mm
50-69mm	±3.0mm
70-100mm	±4.0mm
OVER 100mm	±5.0mm

NOTES:

1. "*" INDICATES CABLE LENGTH IN METERS. CONTACT TURCK TO ORDER SPECIFIC LENGTHS.

SOURCE DRAWING - FOR REFERENCE ONLY

RELATED DOCUMENTS 1. 2. 3. 4.	3RD ANGLE PROJECTION 	THIS DRAWING IS CONFIDENTIAL AND THE PROPERTY OF TURCK INC. USE OF THIS DOCUMENT WITHOUT WRITTEN PERMISSION IS PROHIBITED.		3000 CAMPUS DRIVE MINNEAPOLIS, MN 55441 1-800-544-7769 (763) 553-7300 (763) 553-0708 fax turck.com	
		DRFT	RWC	DATE	03/26/07
MATERIAL	SEE SPECIFICATIONS	APVD	RWC	SCALE	1=2.0
FINISH	SEE SPECIFICATIONS	UNIT OF MEASUREMENT		DESCRIPTION	
		MILLIMETER [INCH]		VBKB 40-*	
		CONTACT TURCK FOR MORE INFORMATION		IDENTIFICATION NO.	
		DO NOT SCALE THIS DRAWING		REV C	
C UPDATE CABLE DIAMETER		KMY	04/16/12	37382	
REV	DESCRIPTION	BY	DATE	ECO NO.	FILE: 777000345
					SHEET 1 OF 1