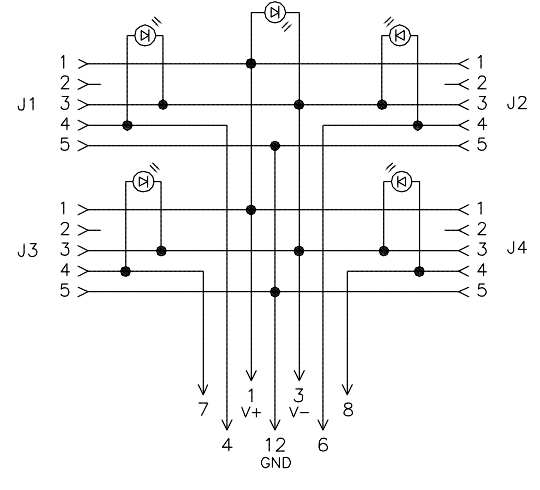
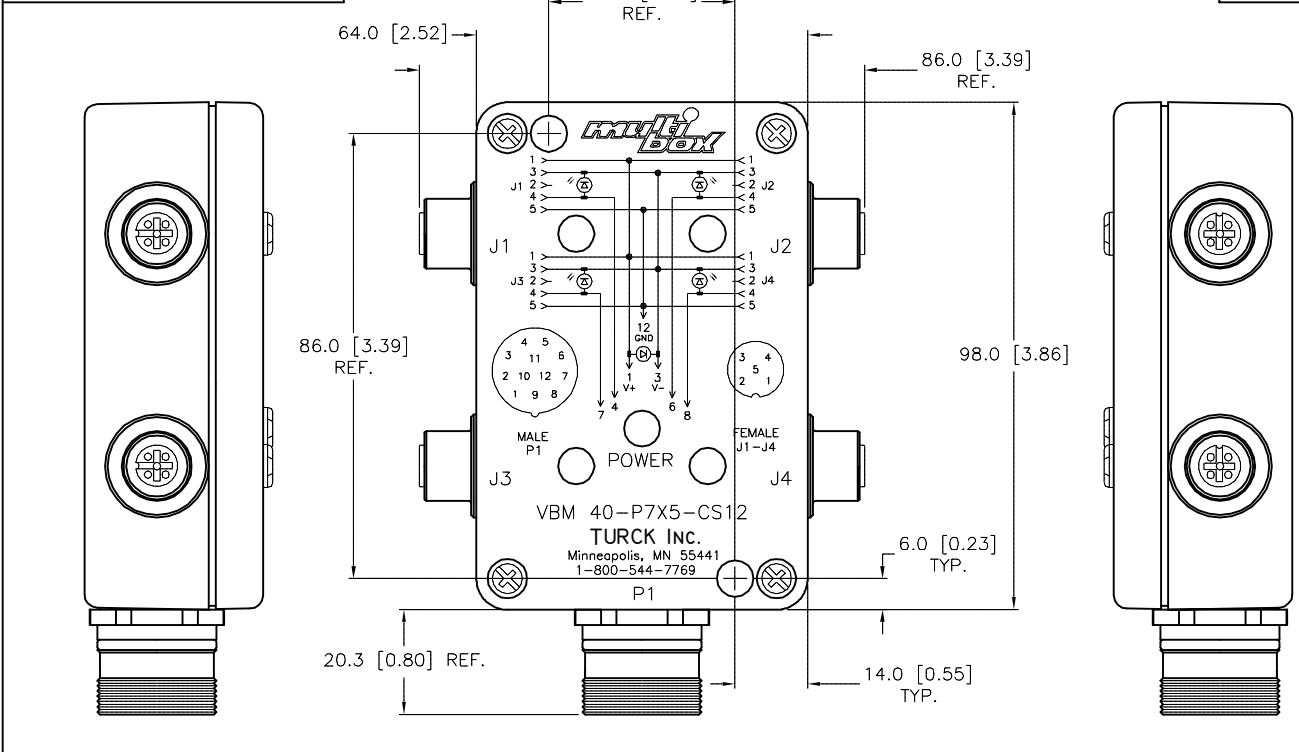
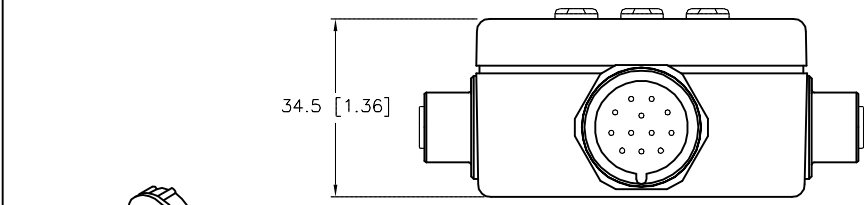


M23 connector

SPECIFICATIONS	
HOUSING MATERIAL	DIE-CAST ALUMINUM ALLOY
HOUSING FINISH/COLOR	POWDER COAT/BLACK
RECEPTACLE HOUSING MAT'L/PLATING	BRASS/NICKEL
CONTACT CARRIER MATERIAL	NYLON (J1-J4), NYLON or PBT (P1)
CONTACT MATERIAL/PLATING	BRASS/GOLD
OPERATING VOLTAGE	10-48 VDC
OPERATING CURRENT	4.0 AMPS PER CONNECTOR, 8 AMPS MAX
LED FUNCTION	FOR PNP SENSOR OUTPUT
PROTECTION CLASS to DIN 40050	IP 67 - ONLY WHEN ALL RECEPTACLES ARE COVERED WITH PLUGS OR CONNECTED
OPERATING TEMPERATURE	-40°C to +90°C (-40°F to +194°F)



P1
WIRING DIAGRAM



VZ 3 CLOSURE CAPS (2 INCLUDED)

SOURCE DRAWING - FOR REFERENCE ONLY

C	UPDATE SPECS	RDS	04/17/14	45445	RELATED DOCUMENTS 1. 2. 3. 4.	3RD ANGLE PROJECTION 	THIS DRAWING IS CONFIDENTIAL AND THE PROPERTY OF TURCK INC. USE OF THIS DOCUMENT WITHOUT WRITTEN PERMISSION IS PROHIBITED.	TURCK INC <i>High Technology Sensors and Automation Controls</i>	3000 CAMPUS DRIVE MINNEAPOLIS, MN 55441 1-800-544-7769 (763) 553-7300 (763) 553-0708 fax turck.com	
	REV	DESCRIPTION	BY	DATE					ECO NO.	DRFT JBJ DATE 11/13/01 APVD SCALE 1=1.5
					MATERIAL SEE SPECIFICATIONS	ALL DIMENSIONS DISPLAYED ON THIS DRAWING ARE FOR REFERENCE ONLY	UNIT OF MEASUREMENT MILLIMETER [INCH]	FILE: EURO-B\U0114-21		
					FINISH SEE SPECIFICATIONS			CONTACT TURCK FOR MORE INFORMATION	DO NOT SCALE THIS DRAWING	