



*multibox* *picofast* Junction Boxes, 4-port, 3-Pin

- Snap Lock or Threaded Connectors
- Available with or without LEDs
- M12 Quick Disconnect or Integral Home Run Cable

**4-port, Snap Lock, 10-48 VDC**

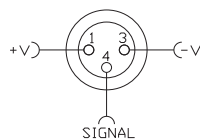
Application	Specifications	Pinout	No LEDs	PNP LED
4-port J-box Snap lock connectors Top Integral cable	3 A/port, 3 A total Black PVC 6x24 AWG	Function Color +V BN -V BU	VB 403Z-*	VB 403Z-PX5-*
4-port J-box 1 signal per port Snap lock connectors Side Integral cable	3 A/port 4 A total Black PVC cable 6x24 AWG	Port 1 WH Port 2 GN Port 3 YE Port 4 GY	VB 403Z- <i>C</i>	VB 403Z-PX5- <i>C</i>
4-port J-box Snap lock connectors <b>eurofast</b> connector	3 A/port, 3 A total 8-pin <b>eurofast</b> connector 6 conductors mates with RKC 8.6T-*	Function Pin +V 5 -V 7 Port 1 1 Port 2 2 Port 3 3 Port 4 4	VB 403Z-FS 8	VB 403Z-PX5-FS 8

**4-port, Threaded, 10-48 VDC**

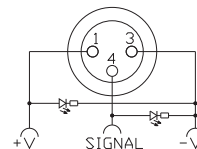
Application	Specifications	Pinout	No LEDs	PNP LED
4-port J-box Threaded connectors Top Integral connector	3 A/port, 3 A total Black PVC 6x24 AWG	Function Color +V BN -V BU	VB 403M-*	VB 403M-PX5-*
4-port J-box 1 signal per port Threaded conductors Side Integral cable	3 A/port 4 A total Black PVC cable 6x24 AWG	Port 1 WH Port 2 GN Port 3 YE Port 4 GY	VB 403M- <i>C</i>	VB 403M-PX5- <i>C</i>
4-port J-box Threaded connectors <b>eurofast</b> connector	3 A/port, 3 A total 8-pin <b>eurofast</b> connector 6 conductors mates with RKC 8.6T-*	Function Pin +V 5 -V 7 Port 1 1 Port 2 2 Port 3 3 Port 4 4	VB 403M-FS 8	VB 403M-PX5-FS 8

**Functional Wiring Diagrams**

No LED Version



LED Version

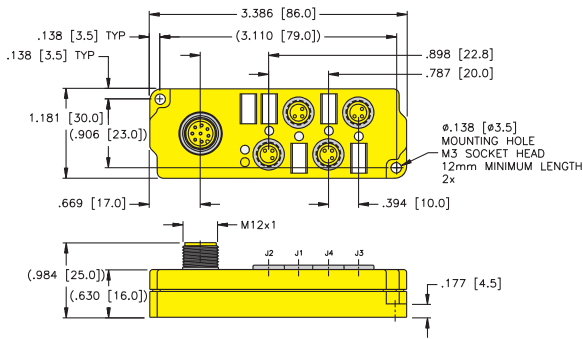


**Specifications**

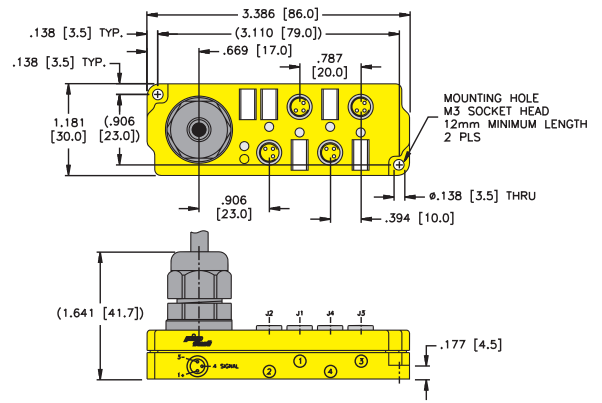
- Housing:** Nylon
- Connectors:** TPU (*picofast*<sup>®</sup>); nylon or TPU (*eurofast*<sup>®</sup>); PETP (M16)
- Contacts:** Gold plated brass
- Thread Inserts:** Nickel plated brass
- Cable:** See table
- Temperature:** -30°C to +80°C (-22°F to +176°F)
- Protection Class:** IEC IP67
- Accessories:** KS 5/10 labels, 2 pieces PSG-CC (snap lock) or PSGM-CC (threaded) included
- Cable length:** Standard length is nominal 5 meters  
Other lengths available by request - Consult factory

**Dimensions**

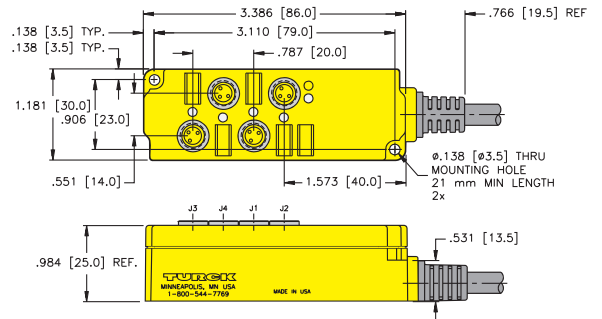
**4-Port with *eurofast* Home Run Connector**



**4-Port with Integral Home Run Cable**



**4-Port with Side Integral Home Run Cable**



**Pinout**

Female	Male
<b>3-pin <i>picofast</i></b>	<b>8-pin <i>eurofast</i></b>

Multibox, picofast