



*multibox*® *picofast*® Junction Boxes, 4-port, 4-pin

- Dual Input/Output per Port
- Snap Lock or Threaded Connectors
- M16 Quick Disconnect or Integral Home Run Cable

**4-port, 4-pin, Snap Lock, 10-48 VDC**

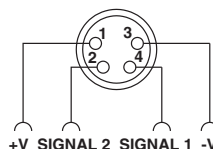
Application	Specifications	Pinout	No LEDs																												
4-port J-box 2 signals per port Snap lock connectors Top integral cable	3 A/port, 4 A total Black PVC cable 10x24 AWG foil shield and 26 AWG drain	<table border="0"> <tr> <td><u>Function</u></td> <td><u>Color</u></td> <td><u>Function</u></td> <td><u>Color</u></td> </tr> <tr> <td>+V</td> <td>BN</td> <td>Port 3/2</td> <td>GN</td> </tr> <tr> <td>-V</td> <td>BU</td> <td>Port 3/4</td> <td>WH</td> </tr> <tr> <td>Port 1/2</td> <td>RD</td> <td>Port 4/2</td> <td>BK</td> </tr> <tr> <td>Port 1/4</td> <td>PK</td> <td>Port 4/4</td> <td>VT</td> </tr> <tr> <td>Port 2/2</td> <td>YE</td> <td></td> <td></td> </tr> <tr> <td>Port 2/4</td> <td>GY</td> <td></td> <td></td> </tr> </table>	<u>Function</u>	<u>Color</u>	<u>Function</u>	<u>Color</u>	+V	BN	Port 3/2	GN	-V	BU	Port 3/4	WH	Port 1/2	RD	Port 4/2	BK	Port 1/4	PK	Port 4/4	VT	Port 2/2	YE			Port 2/4	GY			VB 404Z-*
<u>Function</u>		<u>Color</u>	<u>Function</u>	<u>Color</u>																											
+V	BN	Port 3/2	GN																												
-V	BU	Port 3/4	WH																												
Port 1/2	RD	Port 4/2	BK																												
Port 1/4	PK	Port 4/4	VT																												
Port 2/2	YE																														
Port 2/4	GY																														
4-port J-box 2 signals per port Snap lock connectors Side integral cable			VB 404Z-*C																												
4-port J-box 2 signals per port Snap lock connectors M16 connector	2 A/port, 3 A total w/1 power pair 6 A total w/dual power 14-pin M16 connector 10/12 conductors Mates with BKM 14-917-*	<table border="0"> <tr> <td><u>Function</u></td> <td><u>Pin/Color</u></td> <td><u>Function</u></td> <td><u>Pin/Color</u></td> </tr> <tr> <td>+V</td> <td>A/RD/BU</td> <td>Port 2/2</td> <td>O/YE</td> </tr> <tr> <td>-V</td> <td>L/GY/PK</td> <td>Port 2/4</td> <td>C/GY</td> </tr> <tr> <td>+V</td> <td>M/BN</td> <td>Port 3/2</td> <td>E/GN</td> </tr> <tr> <td>-V</td> <td>U/BU</td> <td>Port 3/4</td> <td>P/WH</td> </tr> <tr> <td>Port 1/2</td> <td>R/RD</td> <td>Port 4/2</td> <td>G/BK</td> </tr> <tr> <td>Port 1/4</td> <td>N/PK</td> <td>Port 4/4</td> <td>S/VT</td> </tr> </table>	<u>Function</u>	<u>Pin/Color</u>	<u>Function</u>	<u>Pin/Color</u>	+V	A/RD/BU	Port 2/2	O/YE	-V	L/GY/PK	Port 2/4	C/GY	+V	M/BN	Port 3/2	E/GN	-V	U/BU	Port 3/4	P/WH	Port 1/2	R/RD	Port 4/2	G/BK	Port 1/4	N/PK	Port 4/4	S/VT	VB 404Z-BS14
<u>Function</u>	<u>Pin/Color</u>	<u>Function</u>	<u>Pin/Color</u>																												
+V	A/RD/BU	Port 2/2	O/YE																												
-V	L/GY/PK	Port 2/4	C/GY																												
+V	M/BN	Port 3/2	E/GN																												
-V	U/BU	Port 3/4	P/WH																												
Port 1/2	R/RD	Port 4/2	G/BK																												
Port 1/4	N/PK	Port 4/4	S/VT																												

**4-port, 4-pin, Threaded, 10-48 VDC**

Application	Specifications	Pinout	No LEDs																												
4-port J-box 2 signals per port Threaded connectors Top integral cable	3 A/port, 4 A total Black PVC cable 10x24 AWG foil shield and 26 AWG drain	<table border="0"> <tr> <td><u>Function</u></td> <td><u>Color</u></td> <td><u>Function</u></td> <td><u>Color</u></td> </tr> <tr> <td>+V</td> <td>BN</td> <td>Port 2/4</td> <td>GY</td> </tr> <tr> <td>-V</td> <td>BU</td> <td>Port 3/2</td> <td>GN</td> </tr> <tr> <td>Port 1/2</td> <td>RD</td> <td>Port 3/2</td> <td>WH</td> </tr> <tr> <td>Port 1/4</td> <td>PK</td> <td>Port 4/2</td> <td>BK</td> </tr> <tr> <td>Port 2/2</td> <td>YE</td> <td>Port 4/4</td> <td>VT</td> </tr> </table>	<u>Function</u>	<u>Color</u>	<u>Function</u>	<u>Color</u>	+V	BN	Port 2/4	GY	-V	BU	Port 3/2	GN	Port 1/2	RD	Port 3/2	WH	Port 1/4	PK	Port 4/2	BK	Port 2/2	YE	Port 4/4	VT	VB 404M-*				
<u>Function</u>		<u>Color</u>	<u>Function</u>	<u>Color</u>																											
+V	BN	Port 2/4	GY																												
-V	BU	Port 3/2	GN																												
Port 1/2	RD	Port 3/2	WH																												
Port 1/4	PK	Port 4/2	BK																												
Port 2/2	YE	Port 4/4	VT																												
4-port J-box 2 signals per port Threaded connectors Side integral cable			VB 404M-*C																												
4-port J-box 2 signals per port Threaded connectors M16 connector	2 A/port 3 A total w/1 power pair 6 A total w/dual power 14-pin M16 connector 10/12 conductors Mates with BKM 14-917-*	<table border="0"> <tr> <td><u>Function</u></td> <td><u>Pin/Color</u></td> <td><u>Function</u></td> <td><u>Pin/Color</u></td> </tr> <tr> <td>+V</td> <td>A/RD/BU</td> <td>Port 2/2</td> <td>O/YE</td> </tr> <tr> <td>-V</td> <td>L/GY/PK</td> <td>Port 2/4</td> <td>C/GY</td> </tr> <tr> <td>+V</td> <td>M/BN</td> <td>Port 3/2</td> <td>E/GN</td> </tr> <tr> <td>-V</td> <td>U/BU</td> <td>Port 3/4</td> <td>P/WH</td> </tr> <tr> <td>Port 1/4</td> <td>R/RD</td> <td>Port 4/2</td> <td>G/BK</td> </tr> <tr> <td>Port 1/2</td> <td>N/PK</td> <td>Port 4/4</td> <td>S/VT</td> </tr> </table>	<u>Function</u>	<u>Pin/Color</u>	<u>Function</u>	<u>Pin/Color</u>	+V	A/RD/BU	Port 2/2	O/YE	-V	L/GY/PK	Port 2/4	C/GY	+V	M/BN	Port 3/2	E/GN	-V	U/BU	Port 3/4	P/WH	Port 1/4	R/RD	Port 4/2	G/BK	Port 1/2	N/PK	Port 4/4	S/VT	VB 404M-BS14
<u>Function</u>	<u>Pin/Color</u>	<u>Function</u>	<u>Pin/Color</u>																												
+V	A/RD/BU	Port 2/2	O/YE																												
-V	L/GY/PK	Port 2/4	C/GY																												
+V	M/BN	Port 3/2	E/GN																												
-V	U/BU	Port 3/4	P/WH																												
Port 1/4	R/RD	Port 4/2	G/BK																												
Port 1/2	N/PK	Port 4/4	S/VT																												

\* Cable length in meters.

**Functional Wiring Diagrams**

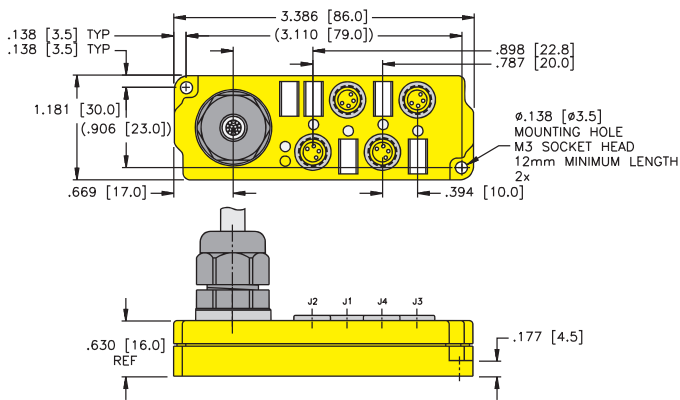


**Specifications**

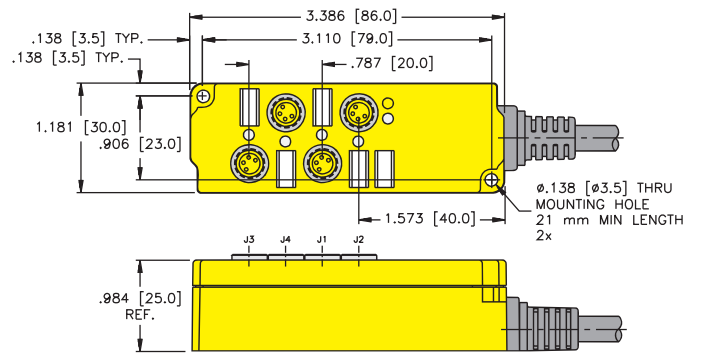
- Housing:** Nylon
- Connectors:** TPU or nylon (J1-J4) or Nylon P1
- Contacts:** Gold plated brass
- Thread Inserts:** Nickel plated brass
- Cable:** See table
- Temperature:** -30°C to +80°C (-22°F to +176°F)
- Protection:** IEC IP67
- Accessories:** KS 5/10 labels, 2 pieces PSG-CC (snap lock) or PSGM-CC (threaded) included
- Cable Length:** Standard length is nominal 5 meters
- Recommended Splitter:** YP2-MFS 4/2MFK 3, for threaded version only

**Dimensions**

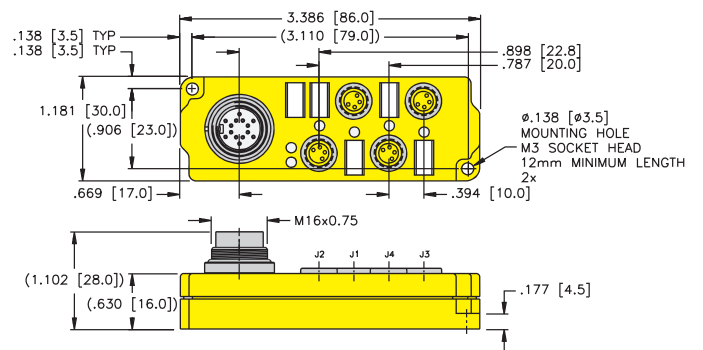
**4-Port with Top Integral Home Run Cable**



**4-Port with Side Integral Home Run Cable**



**4-Port with versafast Home Run Connector**



**Pinout**

Female	Male
<b>4-pin picofast</b>	<b>14-pin versafast</b>

Multibox, picofast