

**SPECIFICATIONS:**

NUMBER OF PHASES: 2	ROTOR INERTIA: 460 g-cm <sup>2</sup> ( 2.52 oz-in <sup>2</sup> ) NOM
STEPS PER REVOLUTION: 200	INSULATION CLASS: B
STEP ANGLE: 1.8°	TEMP. RISE: 80 °C MAX.
STEP TO STEP ACCURACY: ±0.09° [1], [2]	OPERATING TEMP. RANGE: -20 TO +50 °C [9]
POSITIONAL ACCURACY: ± 5 % [1], [3]	STORAGE TEMP. RANGE: -30 TO +70 °C
AXIAL MOVEMENT: 0.1mm MAX (100N AXIAL FORCE)	RELATIVE HUMIDITY RANGE: 15 TO 85 %
BEARING SIZE: 28*15*7 mm	WEIGHT: 1.1 kg (2.43 lb)
SHAFT MATERIAL: SUS303	

HH23-103

REVISIONS

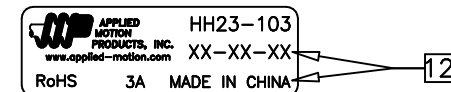
ECO NO.	REV	DESCRIPTION	DATE	APPROVED
7068	A	PRELIMINARY RELEASE	10/24/14	D.MACLEOD
-	-	-	-	-
-	-	-	-	-
-	-	-	-	-
-	-	-	-	-
-	-	-	-	-
-	-	-	-	-
-	-	-	-	-
-	-	-	-	-
-	-	-	-	-
-	-	-	-	-
-	-	-	-	-
-	-	-	-	-

SPECIFICATION	[7] RESISTANCE PER PHASE (ohm ±10%)	[8] INDUCTANCE PER PHASE (mH ±20%)	[1] RATED CURRENT (amp)	[1] HOLDING TORQUE (Nm MIN)	[1] HOLDING TORQUE (oz-in Min)
CONNECTION					
BI-POLAR SERIES	1.1	4.5	3	2.3	325.7

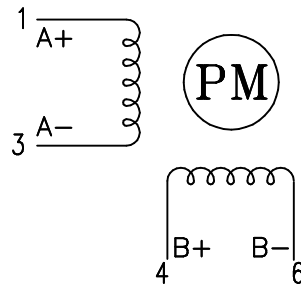
NOTES, UNLESS OTHERWISE SPECIFIED:

- [1] MEASUREMENTS MADE AT RATED CURRENT IN EACH PHASE.
- [2] BETWEEN ANY TWO ADJACENT FULL STEP POSITIONS.
- [3] MAXIMUM ERROR IN 360°.
- 4 HIPOT 500 VAC, 60 Hz FOR ONE MINUTE.
- [5] CONNECTOR: JSTS6B-XH-A-1(LF)(SN)
- 6 INSULATION RESISTANCE: 100 MEGOHMS MIN AT 500 VDC.
- [7] AS MEASURED ACROSS EACH PHASE.
- [8] AS MEASURED ACROSS EACH PHASE USING AN A.C. INDUCTANCE BRIDGE AT 1 KHz.
- [9] AS MEASURED BY THE CHANGE IN RESISTANCE METHOD, WITH RATED CURRENT APPLIED TO 2 PHASES; WITH MOTOR AT REST.
- 10 ROTOR & STATOR LAMINATED CONSTRUCTION.
- 11 THIS MOTOR TO BE MANUFACTURED IN COMPLIANCE WITH EU DIRECTIVE "ROHS 2002/95/EC".
- [12] MOTOR LABEL TO INCLUDE "ROHS" COMPLIANT, AMP P/N, "MADE IN (COUNTRY OF ORIGIN)", AND DATE CODE.
- 13 HIGH TORQUE MOTOR DESIGN.

LABEL DETAIL



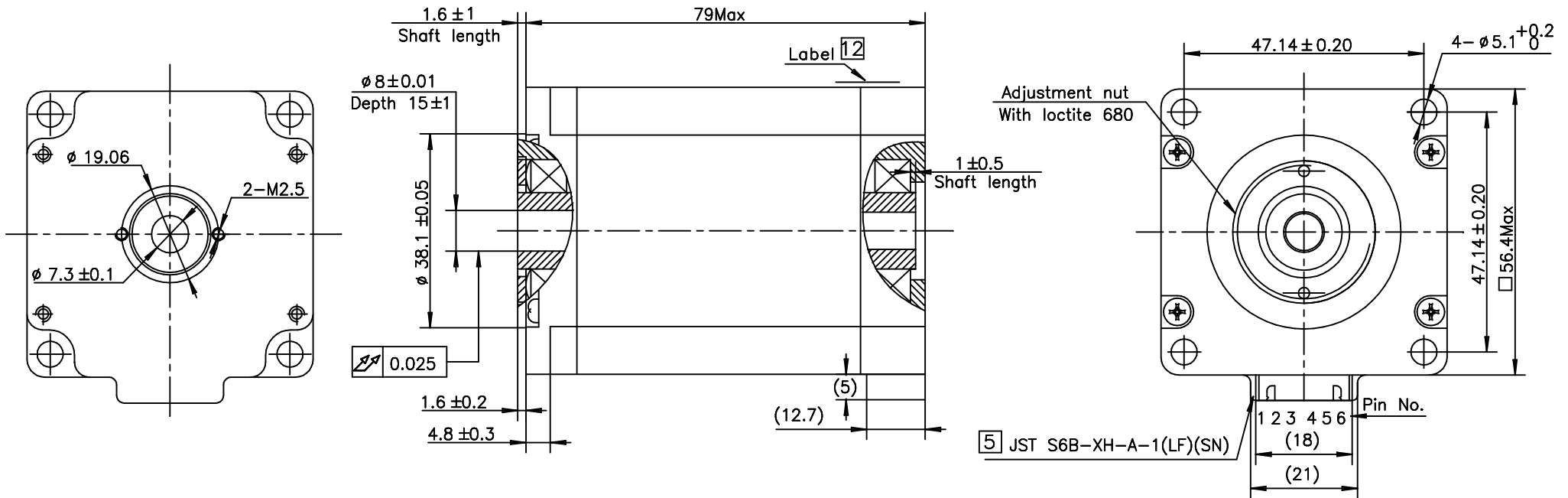
PHASE DETAIL



FULL STEP SWITCHING SEQUENCE  
BI-POLAR, FACING MOUNTING END



STEP	A+	A-	B+	B-	CW
0	+	-	+	-	
1	-	+	+	-	
2	-	+	-	+	
3	+	-	-	+	
4	+	-	+	-	

CONTRACT NO. -		APPLIED MOTION PRODUCTS, INC.			
APPROVALS	DATE	<b>STEP MOTOR OUTLINE</b>			
DRAWN K.KESLER	10/22/14				
CHECKED R.JONEZ		<b>B</b>	COMPUTER DATA BASE DRAWING	DWG NO. HH23-103	REV A
APPROVED -	-		SCALE: NONE	SHEET 1 OF 2	



5 JST S6B-XH-A-1(LF)(SN)

\*ALL DIMENSIONS IN MM

TOLERANCES		FIRST ANGLE PROJECTION		 <b>APPLIED MOTION PRODUCTS, INC.</b>	
DECIMALS: MM X.XX = $\pm 0.13$ X.X = $\pm 0.25$ X = $\pm 0.5$					
ANGLES: MACH. = $\pm 0.5^\circ$ CHAM. = $\pm 5^\circ$		APPROVALS	DATE	B DWG NO. HH23-103	REV A
COMPUTER DATA BASE DRAWING		DRAWN K.KESLER	10/22/14		
		CHECKED R.JONEZ		SHEET 2 OF 2	
		APPROVED -			