

BALDOR® • RELIANCE

Product Information Packet

1021WD

1.5HP, 1500/1800RPM, 3PH, 50/60HZ, 3528M

Copyright © All product information within this document is subject to Baldor Electric Company copyright © protection, unless otherwise noted.

Part Detail							
Revision:	AL	Status:	PRD/A	Change #:		Proprietary:	No
Type:	AC	Prod. Type:	3528M	Elec. Spec:	G0WG0004	CD Diagram:	
Enclosure:	TENV	Mfg Plant:		Mech. Spec:	G10-239	Layout:	
Frame:		Mounting:	F1	Poles:	04	Created Date:	
Base:	RG	Rotation:	POS	Insulation:	B	Eff. Date:	05-18-2012
Leads:	9#18 12" LG	Literature:	Y	Elec. Diagram:		Replaced By:	

Nameplate NP0113			
CAT.NO.	1021WD		
HP	1.5	VOLTS	208-230/460
PHASE	3	AMPS	2.6/1.3
HZ	50//60	RPM	1500//1800
SER.NO			
SPEC.	G10-239-4		

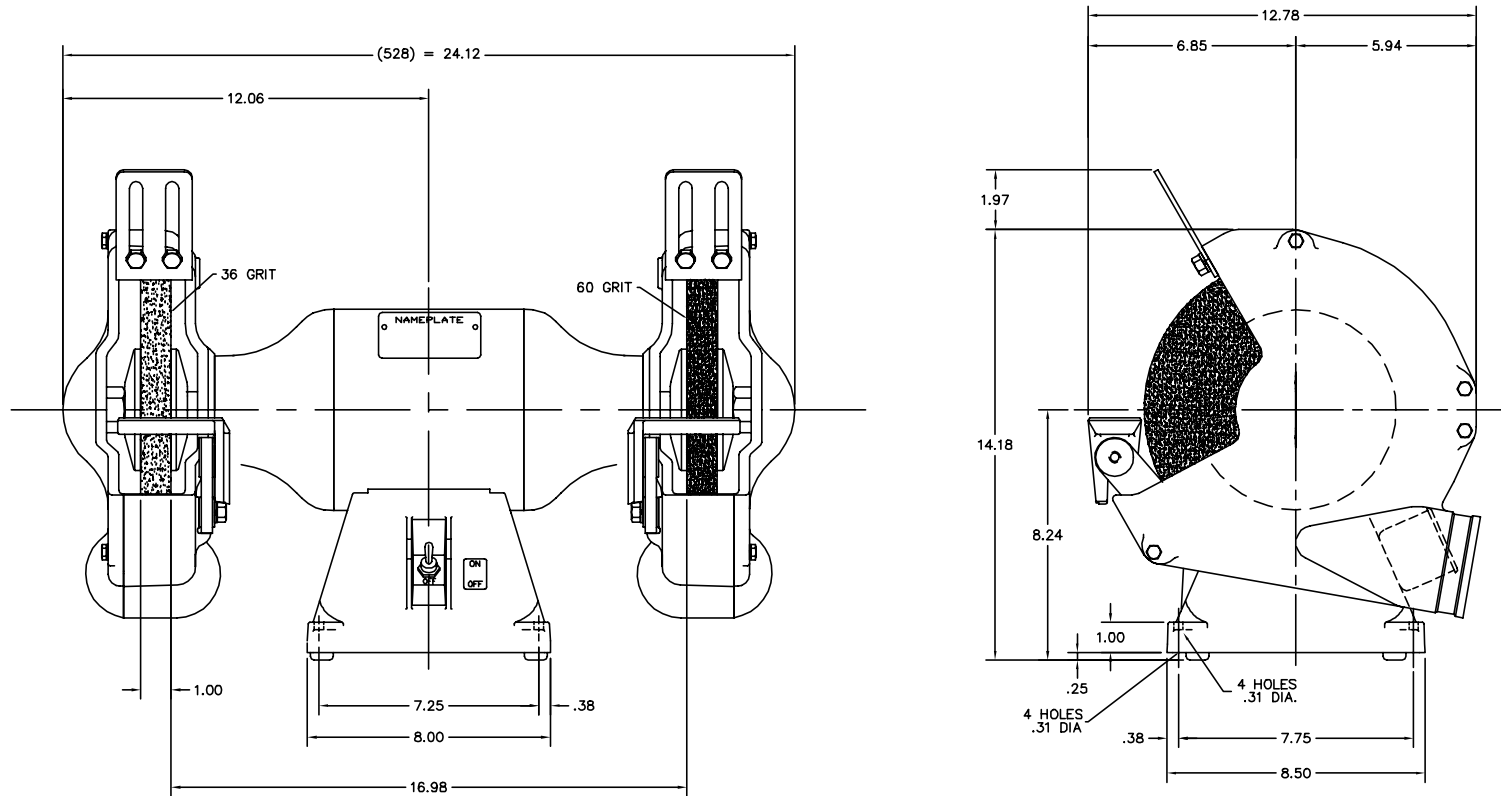
Parts List		
Part Number	Description	Quantity
SA037591	SA G10-239-4	1.000 EA
RA033616	RA G10-239-4	1.000 EA
G8BA3000A01	BASE, MACH	1.000 EA
19XX2510A14	1/4-10 X 7/8 HEX HD PLASTITE SCREW	4.000 EA
HW1000A25	1/4 SAE FLAT WASHER (FS)	4.000 EA
G8CB4500A02	G8-272 BASE COVER,STPD X PLATED	1.000 EA
51XW0832A07	8-32 X .44, TAPTITE II, HEX WSHR SLTD SE	2.000 EA
RM1005A01SP	BUMPER- #2089 (R-R CO)	4.000 EA
15XF1032A10	10-32X5/8 PIN HD PHL TY FSEE JT	4.000 EA
G8EP3900A01SP	ENDPLATE, MACH	1.000 EA
G8EP3900A01SP	ENDPLATE, MACH	1.000 EA
HW5100A06	W2420-025 WVY WSHR (WB)	1.000 EA
HW5100A06	W2420-025 WVY WSHR (WB)	1.000 EA
HA1000A34	DR2463A .02 BRG GUARD B N	2.000 EA
HA3100A14	THRUBOLT 10-32 X 7.875	4.000 EA
XY1032A02	10-32 HEX NUT DIRECTIONAL SERRATION	4.000 EA
G0FH1807A01SP	GUARD,LH,10"GRINDER	1.000 EA
19XW2520A16	SCREW,1/4-20X1 TAPTITE-II OR ROLOC 91	4.000 EA
G0FH1806A01	GUARD,RH,10"GRINDER	1.000 EA
19XW2520A16	SCREW,1/4-20X1 TAPTITE-II OR ROLOC 91	4.000 EA
HA6101A01SP	SUPPORT, TOOL REST MACH	1.000 EA
10XN3816A20	3/8-16X1 1/4 HEX HD CAP	3.000 EA
HW1001A38	LOCKWASHER 3/8, ZINC PLT .688 OD, .382 I	3.000 EA
HW1000A38	WASHER, 3/8" FLAT, SAE Z/P	3.000 EA

Parts List (continued)		
Part Number	Description	Quantity
HA6101A01SP	SUPPORT, TOOL REST MACH	1.000 EA
10XN3816A20	3/8-16X1 1/4 HEX HD CAP	3.000 EA
HW1001A38	LOCKWASHER 3/8, ZINC PLT .688 OD, .382 I	3.000 EA
HW1000A38	WASHER, 3/8" FLAT, SAE Z/P	3.000 EA
G8AP1003A01SP	TOOL REST	1.000 EA
10XN3816A20	3/8-16X1 1/4 HEX HD CAP	1.000 EA
HW1001A38	LOCKWASHER 3/8, ZINC PLT .688 OD, .382 I	1.000 EA
G8AP1003A01SP	TOOL REST	1.000 EA
10XN3816A20	3/8-16X1 1/4 HEX HD CAP	1.000 EA
HW1001A38	LOCKWASHER 3/8, ZINC PLT .688 OD, .382 I	1.000 EA
G0AP1002SP	SPARK BREAKER (PLATED)	1.000 EA
10XN3816A16	3/8-16 X 1 HEX HD CAP SCREW	2.000 EA
HW1001A38	LOCKWASHER 3/8, ZINC PLT .688 OD, .382 I	2.000 EA
HW1000A38	WASHER, 3/8" FLAT, SAE Z/P	2.000 EA
G0AP1002SP	SPARK BREAKER (PLATED)	1.000 EA
10XN3816A16	3/8-16 X 1 HEX HD CAP SCREW	2.000 EA
HW1001A38	LOCKWASHER 3/8, ZINC PLT .688 OD, .382 I	2.000 EA
HW1000A38	WASHER, 3/8" FLAT, SAE Z/P	2.000 EA
HA6100SP	WHEEL FLANGE, CAST	4.000 EA
HW3020E04	1/8 X 3/8 A GROOVE PIN (DRIV-LOCK #118	2.000 EA
G0AP3000A01	WHEEL, 10X1X7/8X36 GRIT	1.000 EA
B103	WHEEL, 10X1X7/8X60 GRIT	1.000 EA
XY8809A62SP	7/8-9 NUT L.H. HEX (NC)	1.000 EA
XY8809A12SP	7/8-9 NUT R.H. HEX (NC)	1.000 EA

Parts List (continued)		
Part Number	Description	Quantity
G0FH1804A01	GUARD COVER,LH,10"GRINDER	1.000 EA
10XN2520A16	1/4-20 X 1 HEX HEAD CAP SCR, ZINC PLATED	4.000 EA
G0FH1805A01SP	GUARD COVER,RH,10"GRINDER	1.000 EA
10XN2520A16	1/4-20 X 1 HEX HEAD CAP SCR, ZINC PLATED	4.000 EA
WD4502A01A02	CONDUIT BOX W/KNOCKOUTS, FOR 7,8 & 10 GR	1.000 EA
51XB1016A06	10-16X3/8 HXWSSLD SERTYB	2.000 EA
WD4503A01	LID R860 HANDY BOX LID, USED WITH BOX WD	1.000 EA
GA9	EYESHIELD ASSY	1.000 EA
G9AP5002A01	A-683 WATER POT .18 45809107	1.000 EA
GA25	TOOL TRAY ASSY	1.000 EA
85XU0407S04	4X1/4 U DRIVE PIN STAINLESS	2.000 EA
SP9004	SWITCH HKA270-73 CARLING	1.000 EA
MJ1000A75	GREASE, POLYREX EM EXXON	0.050 LB
MG1000G01	400-0116 BATTLESHIP GRAY LACQUER (55G)	0.017 GA
LB1389A01	CONSOLIDATED GRINDER LABEL - 9",10",12"	1.000 EA
LB1119	WARNING LABEL	1.000 EA
LB1125C01	STD (STOCK) CARTON LABEL BALDOR WITH FLA	1.000 EA
MN909	EYESHIELD MTG INSTR. FOR GA9, GA10 & GA1	1.000 EA
LB1454	#0153-02-03-S1550/E47175	2.000 EA
LC0005B01	CONN LABEL GRINDER/BUFFER X	1.000 EA
NP0113	N.P.- DELUXE GRINDERS - BUFFERS	1.000 EA
07PA1007	PKG GRP., BALDOR	1.000 EA
MN903	INSTR MANUAL FOR GRINDERS 9/03	1.000 EA

Accessories		
Part Number	Description	Multiplier
GA16	PEDESTAL INDUSTRIAL, CAST IRON 6" - 10"	A8
GA14	PEDESTAL FABRICATED STEEL W/SHELVES	A8
GA20	PEDESTAL INDUSTRIAL, CAST IRON 8"-14"	A8
GA20E	PEDESTAL LIGHT INDUSTRIAL,STEEL	A8
B102	10" 36 GRIT GRINDING WHEEL	A8
B103	10" 60 GRIT GRINDING WHEEL	A8
GA9	PAIR LIGHTED EYESHIELDS	A8
GA9-1	SINGLE LIGHTED EYESHIELD	A8
GA9S	PAIR EYESHIELDS W/ ON-OFF SWITCH	A8
GA11	PAIR EYESHIELDS	A8
DC10	DUST CONTROL UNIT	A8

GOLY0239



GOLY0239

CUSTOMER IS RESPONSIBLE FOR DETERMINING THAT MOTOR PERFORMANCE IS SUITABLE IN THE APPLICATION.

REV. DESC: REMOVE FELT WASHER (HA1025A03)	VERSION: 01	TDR: 000000357606
REV. LTR: D	REVISD: 08: 25: 08 10/06/2005	BY: ENJASFO
FILE: \AAA\00035\666		
MTL: -		

BALDOR ELECTRIC Co.

STD 10" GRINDER (528M) W/EYESHIELD

CD0005

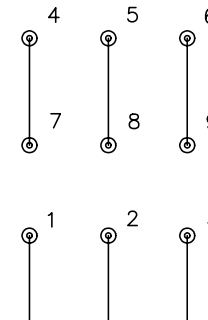


LOW VOLTAGE
(2Y)



LINE

HIGH VOLTAGE
(1Y)



LINE

NOTES:

1. INTERCHANGE ANY TWO LINE LEADS TO REVERSE ROTATION.
2. OPTIONAL THERMOSTATS ARE PROVIDED WHEN SPECIFIED.
3. ACTUAL NUMBER OF INTERNAL PARALLEL CIRCUITS MAY BE A MULTIPLE OF THOSE SHOWN ABOVE.
4. LEAD COLORS ARE OPTIONAL. LEADS MUST ALWAYS BE NUMBERED AS SHOWN.

REV. DESC: REVISE TO SHOW OPTIONAL COLORS			
REV. LTR: E	BY: JLP	REVISED: 01/19/99 10:15	TDR: 0171435
900000		FILE: AAA00005140	MDL: -
		MTL: -	

BALDOR ELECTRIC Co.

3PH, DV, 9 LEADS

CD0005