

BALDOR® • RELIANCE

Product Information Packet

1411W
40M 4P GRINDER

Copyright © All product information within this document is subject to Baldor Electric Company copyright © protection, unless otherwise noted.

Part Detail							
Revision:	G	Status:	PRD/A	Change #:		Proprietary:	No
Type:	AC	Prod. Type:	3740M	Elec. Spec:	G4WG0040	CD Diagram:	
Enclosure:	TENV	Mfg Plant:		Mech. Spec:	G14-116	Layout:	
Frame:		Mounting:	F1	Poles:	04	Created Date:	07-12-2007
Base:	RG	Rotation:	POS	Insulation:	B	Eff. Date:	02-29-2012
Leads:	9#14	Literature:		Elec. Diagram:		Replaced By:	
Nameplate NP0113							
CAT.NO.	1411W						
HP	7.5	VOLTS		208-230/460			
PHASE	3	AMPS		18.8/9.4			
HZ	50//60	RPM		1500//1800			
SER.NO							
SPEC.	G14-116C-0040						

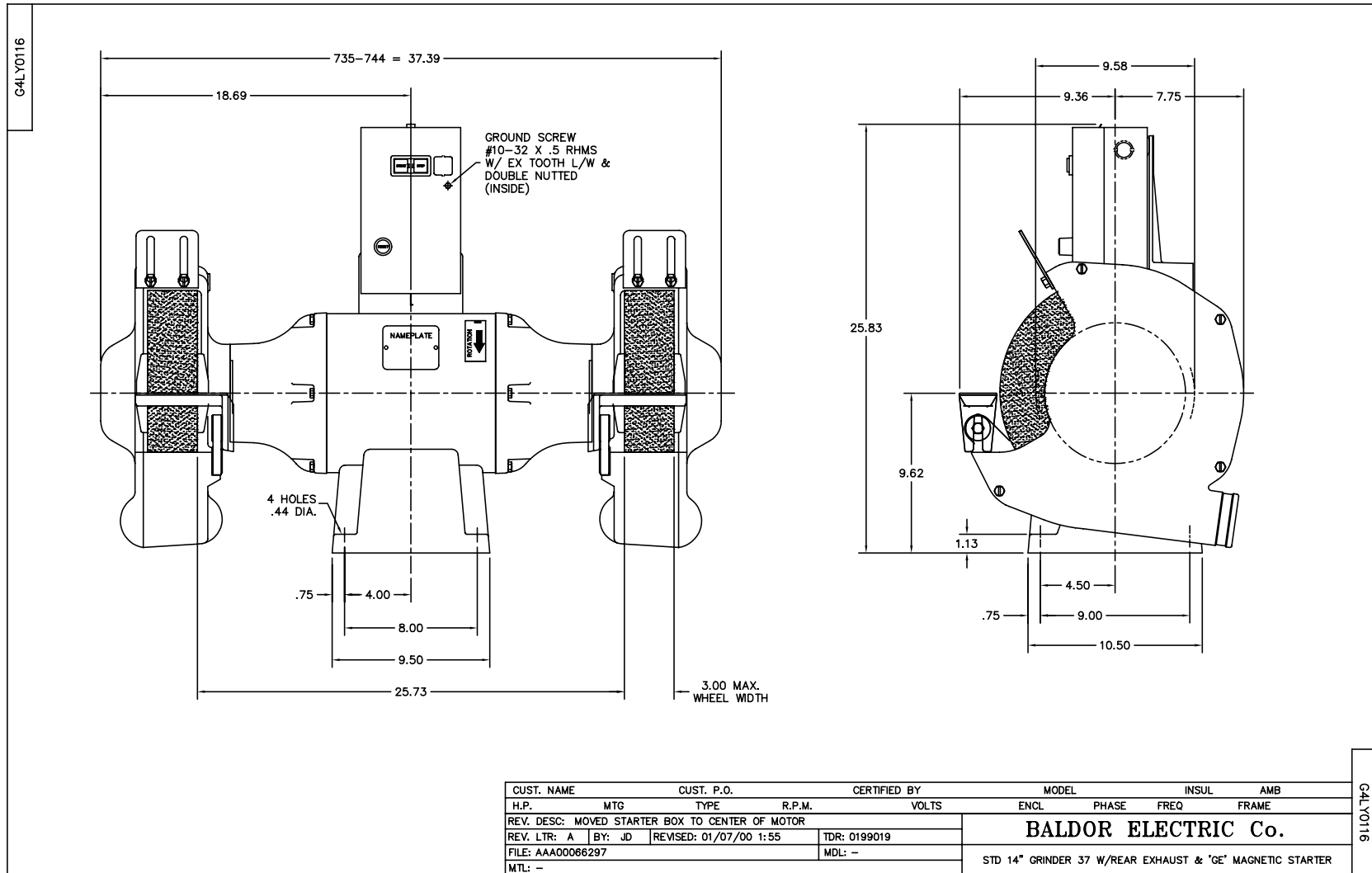
Parts List		
Part Number	Description	Quantity
SA160199	SA G14-116C-0040	1.000 EA
RA148795	RA G14-116C-0040	1.000 EA
G4BA1000A01	BASE, MACH	1.000 EA
19XA3812A20	38-12X1 1/4 HEX WSHR HD TYPE AB	4.000 EA
HW1001A38	LOCKWASHER 3/8, ZINC PLT .688 OD, .382 I	4.000 EA
85XU0407S04	4X1/4 U DRIVE PIN STAINLESS	2.000 EA
52XF1032G04	S0-32 X 1/4, HX HD SR SL	2.000 EA
LD5000A01	LEAD ASSY, ML1400DF14 W/(2) #10 RING 7"	1.000 EA
HA6194A05	BRACKET, 14" GRINDER FOR 'GE' MAGNETIC S	1.000 EA
G4GS5000	G14-23 GASKET X	1.000 EA
19XB2514A20	1/4-14X1-1/4 HX WS, TY B	2.000 EA
HW1001A25	LOCKWASHER 1/4, ZINC PLT .493 OD, .255 I	2.000 EA
HA2025A01	LEAD BUSHING	1.000 EA
RM1006A01	GROMMET,#2196:.75ID,.9375GROOVE DIA,.062	1.000 EA
52XN1032A04	10-32X1/4 HX HD SLTD SER X	3.000 EA
52XN1032A08	SCREW, SER HX SLT HD, ZN X	1.000 EA
XY1032A02	10-32 HEX NUT DIRECTIONAL SERRATION	2.000 EA
36CB4516	36 LIPPED CB LID	1.000 EA
37GS1001SP	GASKET, CONDUIT BOX LID, .06 THICK LEXID	1.000 EA
51XW0832A07	8-32 X .44, TAPTITE II, HEX WSHR SLTD SE	4.000 EA
G4EP1900A01	ENDPLATE, MACH	2.000 EA
HW5100A11	W3917-042 WVY WSHR (WB)	2.000 EA
HA3104A14	THRUBOLT- 5/16-18 X12.125(OHIO)	4.000 EA
HW1001A31	LOCKWASHER 5/16, ZINC PLT.591 OD, .319 I	4.000 EA

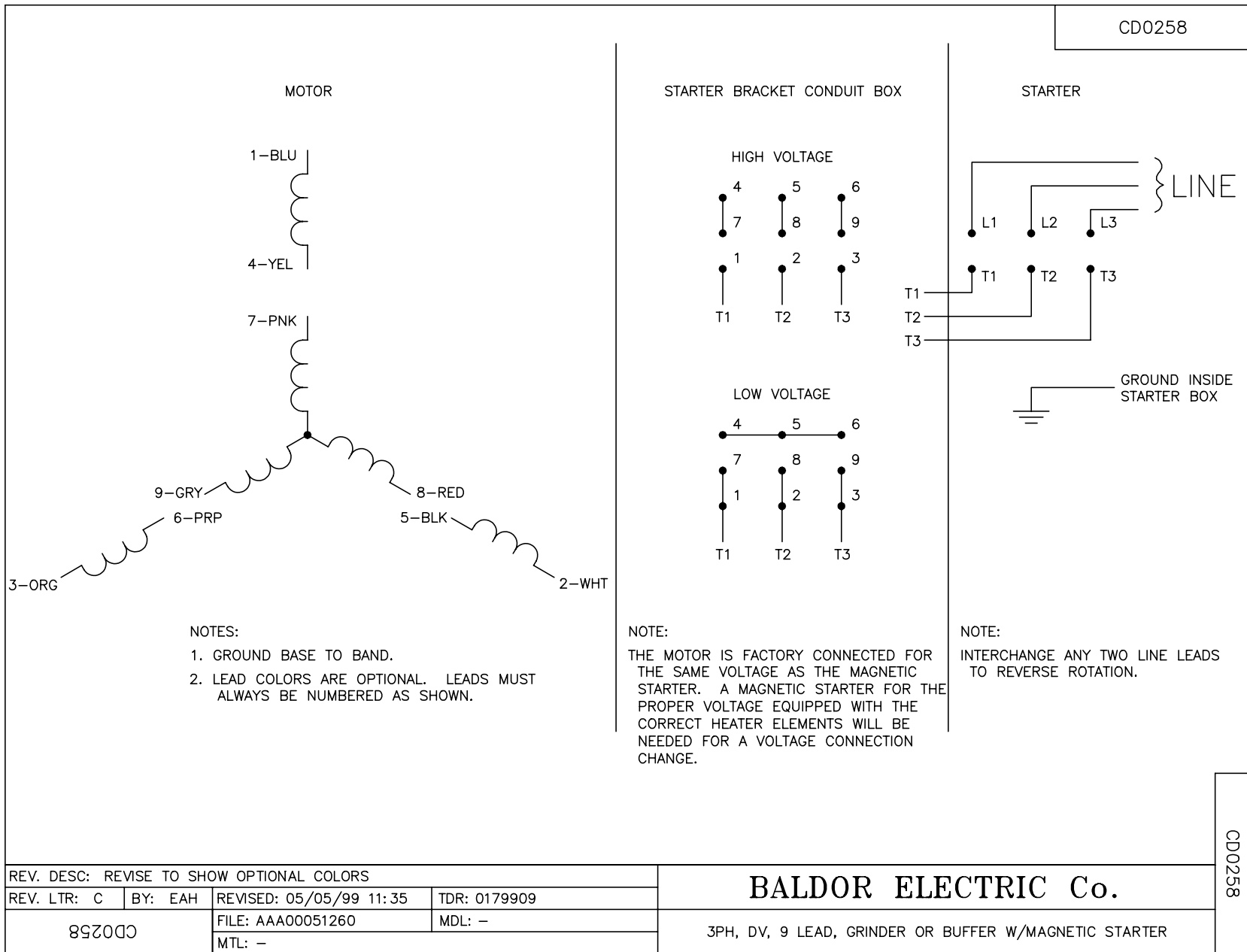
Parts List (continued)		
Part Number	Description	Quantity
XY3118A12	5/16-18 HEX NUT DIRECTIONAL SERRATION	4.000 EA
G4FH1801A01	L.H. GRINDER GUARD, MACH	1.000 EA
10XN3816A20	3/8-16X1 1/4 HEX HD CAP	4.000 EA
HW1001A38	LOCKWASHER 3/8, ZINC PLT .688 OD, .382 I	4.000 EA
G4FH1800A01	R.H. GRINDER GUARD, MACH	1.000 EA
10XN3816A20	3/8-16X1 1/4 HEX HD CAP	4.000 EA
HW1001A38	LOCKWASHER 3/8, ZINC PLT .688 OD, .382 I	4.000 EA
G2AP1002A01SP	TOOL REST, MACH (G) MACHINED 6 ON	1.000 EA
HA6049A01SP	SUPPORT, TOOL REST, MACH	1.000 EA
10XN4420A24	7/16-20X1 1/2 HEX HD SCR	3.000 EA
HW1000A44	WASHER, 7/16 FLAT, ZN	3.000 EA
HW1001A44	WASHER,7/16 SPLT LK, ZN	3.000 EA
G2AP1002A01SP	TOOL REST, MACH (G) MACHINED 6 ON	1.000 EA
HA6049A01SP	SUPPORT, TOOL REST, MACH	1.000 EA
10XN4420A24	7/16-20X1 1/2 HEX HD SCR	3.000 EA
HW1000A44	WASHER, 7/16 FLAT, ZN	3.000 EA
HW1001A44	WASHER,7/16 SPLT LK, ZN	3.000 EA
G4FH1803A01	L.H. GRINDER GUARD COVER, MACH	1.000 EA
10XN3816A20	3/8-16X1 1/4 HEX HD CAP	4.000 EA
HW1001A38	LOCKWASHER 3/8, ZINC PLT .688 OD, .382 I	4.000 EA
G4FH1802A01	R.H. GRINDER GUARD COVER, MACH	1.000 EA
10XN3816A20	3/8-16X1 1/4 HEX HD CAP	4.000 EA
HW1001A38	LOCKWASHER 3/8, ZINC PLT .688 OD, .382 I	4.000 EA
HA6051SP	FLANGE, WHEEL, CAST	4.000 EA

Parts List (continued)		
Part Number	Description	Quantity
HW3022J06	1/4X.625 ROLLED SPR PIN	2.000 EA
XZ2007A62SP	1 1/4-7 NUT LH HEX (NC)	1.000 EA
XZ2007A12SP	1 1/4-7 NUT RH HX(NC)(F/S)	1.000 EA
G2AP1001ZP	SPARK BREAKER FOR 12" GRINDER GUARD	1.000 EA
10XN3816A16	3/8-16 X 1 HEX HD CAP SCREW	2.000 EA
HW1000A38	WASHER, 3/8" FLAT, SAE Z/P	2.000 EA
HW1001A38	LOCKWASHER 3/8, ZINC PLT .688 OD, .382 I	2.000 EA
G2AP1001ZP	SPARK BREAKER FOR 12" GRINDER GUARD	1.000 EA
10XN3816A16	3/8-16 X 1 HEX HD CAP SCREW	2.000 EA
HW1000A38	WASHER, 3/8" FLAT, SAE Z/P	2.000 EA
HW1001A38	LOCKWASHER 3/8, ZINC PLT .688 OD, .382 I	2.000 EA
MJ1000A75	GREASE, POLYREX EM EXXON	0.050 LB
HA1000A59	.020 BEARING GUARD 3.931 OD	2.000 EA
GA9	EYESHIELD ASSY	1.000 EA
MG1000G01	400-0116 BATTLESHIP GRAY LACQUER (55G)	0.017 GA
LB1009	LABEL, ROTATION DIRECTION (ON ROLLS)	1.000 EA
LB1031	LABEL, WARNING X	1.000 EA
LB1112	LABEL GRDR STARTER BOX GR	1.000 EA
LB5010	TAG, CAUTION PRINT SHOP	1.000 EA
MN909	EYESHIELD MTG INSTR. FOR GA9, GA10 & GA1	1.000 EA
CN1900A05	MAGNETIC STARTER 'GE' NO. CR306C10400AAA	1.000 EA
CN2006125B	HEATER, 'GE' NO. CR123C125B (FOR 'GE' ST	3.000 EA
LB1119	WARNING LABEL	1.000 EA
LB1125C01	STD (STOCK) CARTON LABEL BALDOR WITH FLA	1.000 EA

Parts List (continued)		
Part Number	Description	Quantity
NP0113	N.P. - DELUXE GRINDERS - BUFFERS	1.000 EA
G4PA1000	PACKAGING GROUP	1.000 EA
MN903	INSTR MANUAL FOR GRINDERS 9/03	1.000 EA

Accessories		
Part Number	Description	Multiplier
GA20	PEDESTAL INDUSTRIAL, CAST IRON 8"-14"	A8
GA9	PAIR LIGHTED EYESHIELDS	A8
GA9-1	SINGLE LIGHTED EYESHIELD	A8
GA9S	PAIR EYESHIELDS W/ ON-OFF SWITCH	A8
GA11	PAIR EYESHIELDS	A8
B147	14" 30 GRIT GRINDING WHEEL	A8
B148	14" 46 GRIT GRINDING WHEEL	A8
DC14-3	DUST CONTROL FOR 14 IN GRINDER	A8





REV. DESC: REVISE TO SHOW OPTIONAL COLORS			
REV. LTR: C	BY: EAH	REVISED: 05/05/99 11:35	TDR: 0179909
820258		FILE: AAA00051260	MDL: -
		MTL: -	

BALDOR ELECTRIC Co.

3PH, DV, 9 LEAD, GRINDER OR BUFFER W/MAGNETIC STARTER

CD0258