

BALDOR® • *RELIANCE*

Product Information Packet

359T

.5HP,3450RPM,1PH,60HZ,3520S,LATH

Copyright © All product information within this document is subject to Baldor Electric Company copyright © protection, unless otherwise noted.

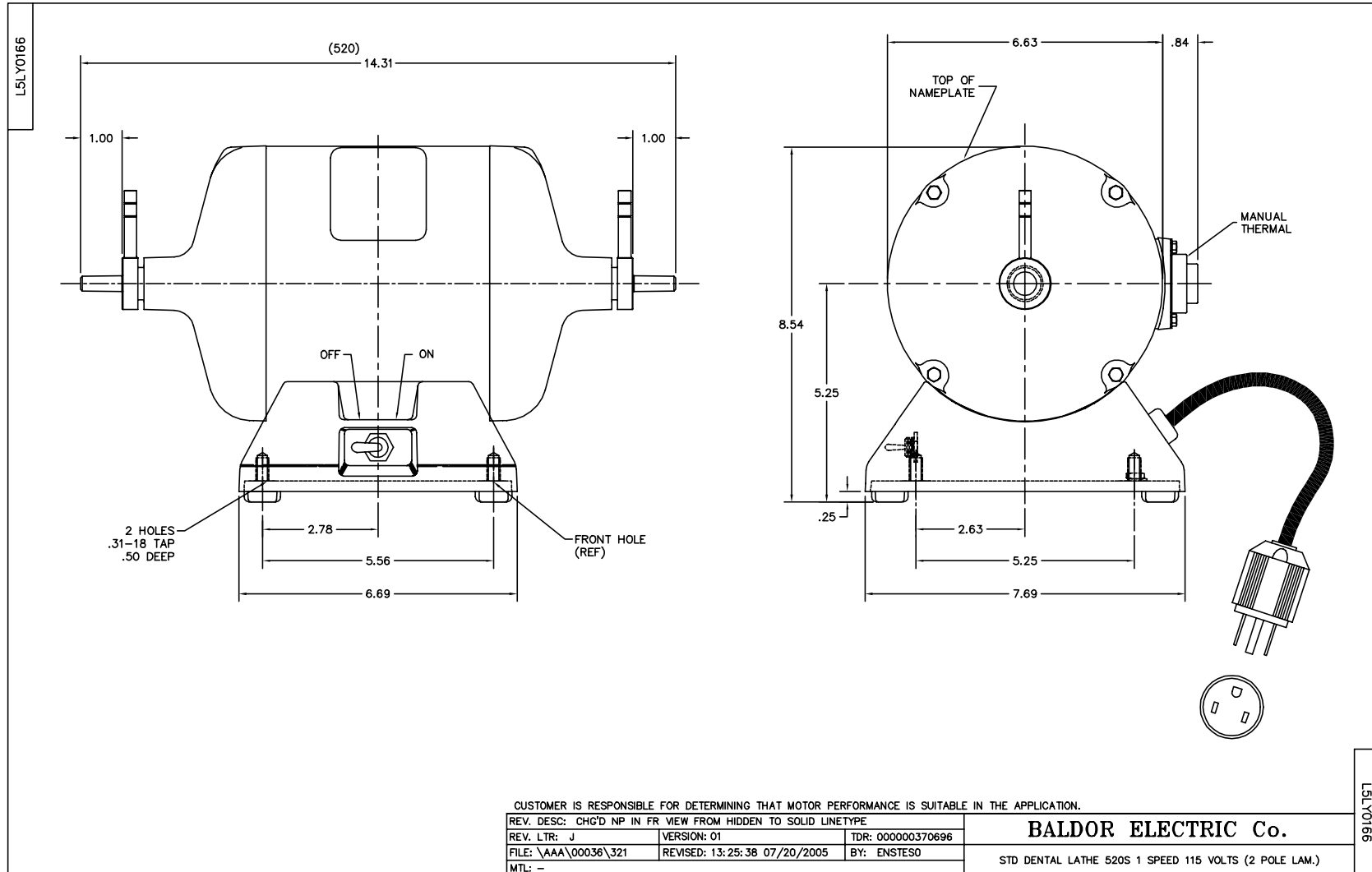
Part Detail							
Revision:	AP	Status:	PRD/A	Change #:		Proprietary:	No
Type:	AC	Prod. Type:	3520S	Elec. Spec:	L5WG0158	CD Diagram:	
Enclosure:	TENV	Mfg Plant:		Mech. Spec:	L35-166	Layout:	
Frame:		Mounting:	F1	Poles:	02	Created Date:	08-08-2007
Base:	RG	Rotation:	FOS	Insulation:	B	Eff. Date:	08-30-2012
Leads:	2#18	Literature:		Elec. Diagram:		Replaced By:	

Nameplate NP0247L			
CAT.NO.	359T		
SPEC.	L35-166-158		
HP	.5		
VOLTS	115		
PHASE	1	AMPS	4.7
CYCLE	60		
RPM	3450		
CL	B		
RATING	40C AMB-CONT		
SERIAL			

Parts List		
Part Number	Description	Quantity
SA037699	SA L35-166-158	1.000 EA
RA033724	RA L35-166-158	1.000 EA
L5BA3000A01	BASE, MACH	1.000 EA
11XW1032G06	10-32 X .38, TAPTITE II, HEX WSHR SLTD U	1.000 EA
HW3001B01	003SS CUP WASHER, FOR #8 SCREW	1.000 EA
L5EP3900A01SP	ENDPLATE, MACH	1.000 EA
HA6105A01	DR-178A L.H.EJECT.W/HANDL (WELKER)	1.000 EA
LD5001A02	CORD & PLUG ASSY 18-3 SJT .33 DIA. 10 AM	1.000 EA
WD4102A01	SR-6L-1 HEYCO STRN RELIEF OR 23MPO6L10 M	1.000 EA
SP9000SP	80600BJ A-H OR 1520237-2 TYCO;2PST,125/2	1.000 EA
HW1003A50	LOCKWASHER,1/2",EXT.TOOTHZINC PLATED	1.000 EA
NS2514A01	INSULATOR, SWITCH	1.000 EA
51XW0832A07	8-32 X .44, TAPTITE II, HEX WSHR SLTD SE	2.000 EA
WD1000A08	40976 AMP TERM.(3M/REEL)	2.000 EA
WD1000B14	BURNDY #YAD14-10M TERMINAL	2.000 EA
HA1025A04	FELT WSH 1.25OD/.492ID X .125	1.000 EA
L5EP3900A02	ENDPLATE, MACH	1.000 EA
HA1025A04	FELT WSH 1.25OD/.492ID X .125	1.000 EA
HA6105A02	DR-178B R.H.EJECT.W/HANDL (WELKER)	1.000 EA
HA3100A29	THRUBOLT 10-32 X 7.00	4.000 EA
XY1032A02	10-32 HEX NUT DIRECTIONAL SERRATION	4.000 EA
L5CB4500A01	BASE COVER, STAMPED (PLATED)	1.000 EA
RM1005A01SP	BUMPER- #2089 (R-R CO)	4.000 EA
15XF1032A10	10-32X5/8 PIN HD PHL TY FSEE JT	4.000 EA

Parts List (continued)		
Part Number	Description	Quantity
85XU0407S04	4X1/4 U DRIVE PIN STAINLESS	4.000 EA
51XB1214A10	12-14 X 5/8HX WS SL SR TYBX	3.000 EA
HW1000A12X	#12 SAE FLAT WASHER	3.000 EA
WD4006A01	WIRE JOINT, RB-4 OR RB-44	1.000 EA
MJ1000A75	GREASE, POLYREX EM EXXON	0.050 LB
HW5100A03SP	WAVY WASHER (W1543-017)	2.000 EA
HA1000A16SP	DR2567A .02 BRG GUARD B N	2.000 EA
MG1000G18	PAINT, 189-905 SILVER HAMR	0.017 GA
LB1013	LABEL, "ON" AND "OFF"	1.000 EA
LB1087	LABEL,MANUAL RESET (ROLL LABEL)	1.000 EA
LB1119	WARNING LABEL	1.000 EA
LB1208	WARNING LABEL FOR DENTAL LATHE	1.000 EA
NP0247L	ALUM UL CSA THERMAL LATHE	1.000 EA
SP5056SP	MODEL 34/35 SINGLE ARM STAT. SWITCH W/ T	1.000 EA
36PA1000	PACK GROUP W/LB5001	1.000 EA
LB1125C01	STD (STOCK) CARTON LABEL BALDOR WITH FLA	1.000 EA
MN904	Baldor Polishing Lathes 6/05	1.000 EA

Accessories		
Part Number	Description	Multiplier
R1	DR-3544 R1 RH CHUCK	A8
R2	DR-3546B R2 RH WHEEL CHUCK	A8
R5A	BURR CHUCK-RH	A8
R6	ARBOR BAND CHUCK	A8
L3	DR-3545 LH HD WHEEL CHUCK	A8
L4	DR-3547B L4 LH SF WHEEL CHUCK	A8



L5LY0166

L5LY0166

