

BALDOR® • RELIANCE

Product Information Packet

712RE

.5HP,3600RPM,1PH,60HZ,3420C,GRND

Copyright © All product information within this document is subject to Baldor Electric Company copyright © protection, unless otherwise noted.

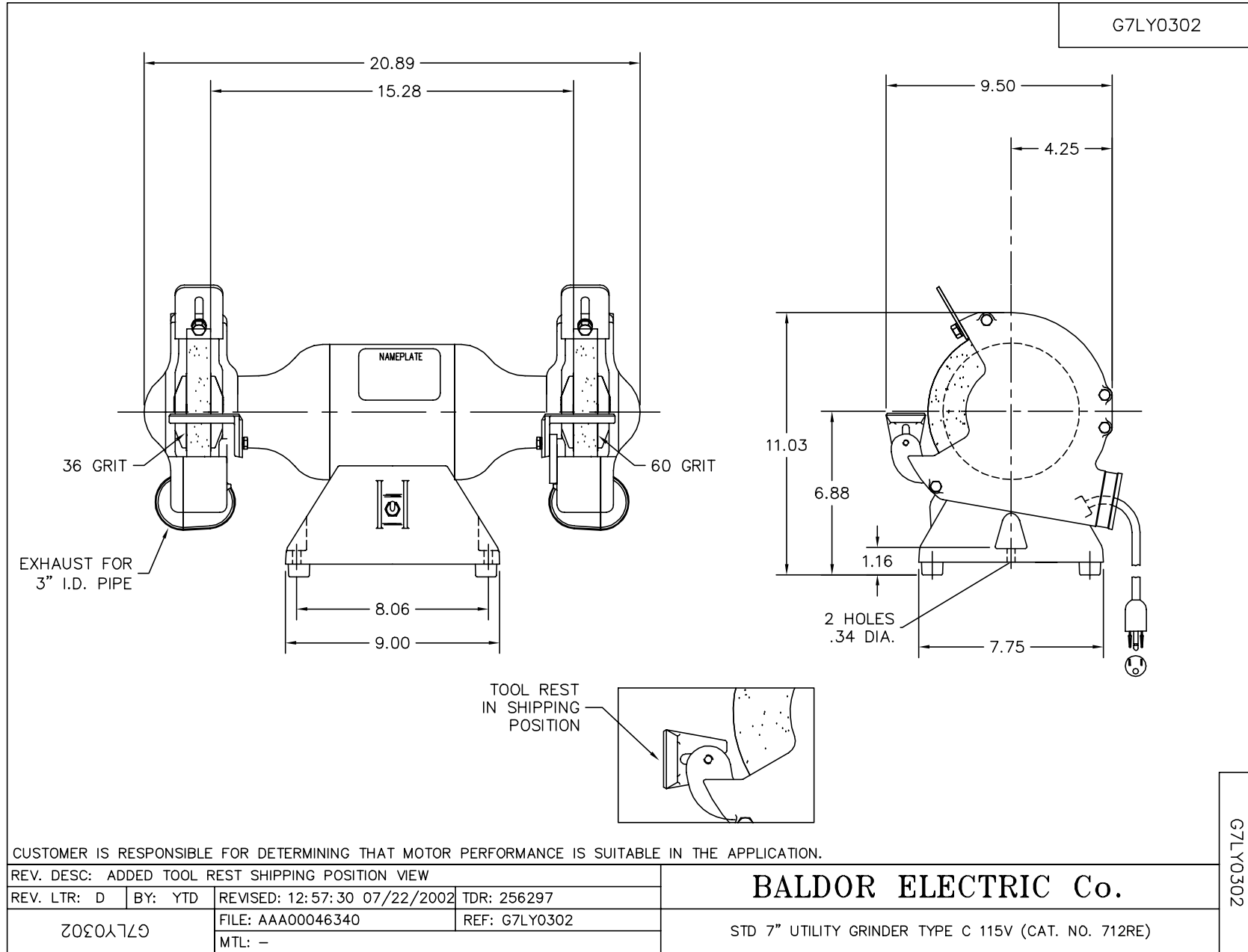
Part Detail							
Revision:	AT	Status:	PRD/A	Change #:		Proprietary:	No
Type:	AC	Prod. Type:	3420C	Elec. Spec:	G7WG0030	CD Diagram:	
Enclosure:	GRND	Mfg Plant:		Mech. Spec:	G7-0302	Layout:	
Frame:		Mounting:	F1	Poles:	02	Created Date:	
Base:	RG	Rotation:	FOS	Insulation:	B	Eff. Date:	11-23-2011
Leads:	4#18	Literature:		Elec. Diagram:		Replaced By:	
Nameplate NP0235							
CAT.NO.	712RE						
HP	.5	VOLTS				115	
PHASE	1	AMPS				3.4	
HZ	60	RPM				3600	
SER.NO							
SPEC.	G7-302-30						

Parts List		
Part Number	Description	Quantity
SA004981	SA G7-302-30	1.000 EA
RA002331	RA G7-302-30	1.000 EA
OC3006F12	CYL OIL CAP 6MFD/370V	1.000 EA
G7BA3000	G7-286 BASE DIE CAST	1.000 EA
WD4102A01	SR-6L-1 HEYCO STRN RELIEF OR 23MPO6L10 M	1.000 EA
LD5001A07	CORD & PLUG ASSY 18-3 SJT .33 DIA. 10 AM	1.000 EA
WD1000A16	2-520128-2 AMP FLAG TERMINAL(4M/RL)	4.000 EA
11XW1032G06	10-32 X .38, TAPTITE II, HEX WSHR SLTD U	1.000 EA
SP9000SP	80600BJ A-H OR 1520237-2 TYCO;2PST,125/2	1.000 EA
HW1003A50	LOCKWASHER,1/2",EXT.TOOTHZINC PLATED	1.000 EA
G7CB4500	BASE COVER PLATE 7" GRINDER	1.000 EA
51XW1032A06	10-32 X .38, TAPTITE II, HEX WSHR SLTD S	2.000 EA
RM1005A01A	BASE FOOT & SCREW ASSLY	4.000 EA
G7EP3900A01	ENDPLATE, MACH	1.000 EA
G7EP3900A01	ENDPLATE, MACH	1.000 EA
XY1032A02	10-32 HEX NUT DIRECTIONAL SERRATION	4.000 EA
G7FH1800A01SP	GRINDER GUARD, MACH	1.000 EA
G7FH1801A01SP	GRINDER GUARD COVER, MACH	1.000 EA
10XF2520A16	SCREW, HEX HD, ZN X	3.000 EA
10XN2520A16	1/4-20 X 1 HEX HEAD CAP SCR, ZINC PLATED	4.000 EA
HA6096A01SP	WHEEL FLANGE, MACH	4.000 EA
HA2040A01SP	SPACER,CRST(WELKER#824500	2.000 EA
HW3021C04	SPRG PIN 3/32 DIA .375LGH DRIV-LOK	2.000 EA
G7AP3000A01	WHEEL, 7 X 1 X 36 GRIT B73 X	1.000 EA

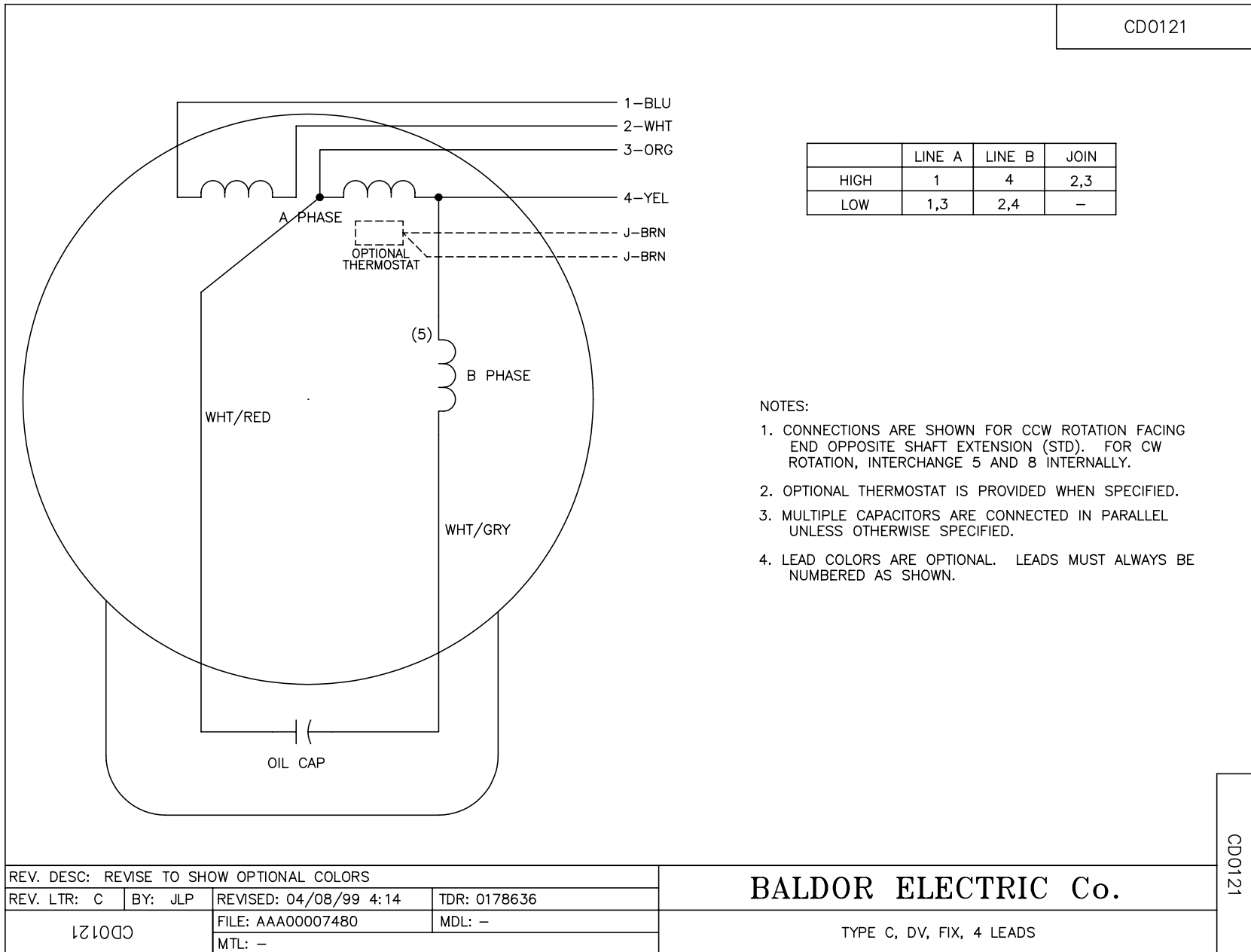
Parts List (continued)		
Part Number	Description	Quantity
G7AP3000A02	WHEEL, 7 X 1 X 60 GRIT B74 X	1.000 EA
XY6311A12SP	HEX NUT 5/8-11	1.000 EA
XY6311A62	5/8-11 NUT L.H. HEX (NC)X (F/S)	1.000 EA
G7FH1802A01SP	GRINDER GUARD, MACH	1.000 EA
G7FH1803A01SP	GRINDER GUARD COVER, MACH	1.000 EA
10XF2520A16	SCREW, HEX HD, ZN X	3.000 EA
10XN2520A16	1/4-20 X 1 HEX HEAD CAP SCR, ZINC PLATED	4.000 EA
G7AP5010A01	7" TOOL REST ASSEMBLY L.H.10 45819107	1.000 EA
10XN2520A08	1/4-20X1/2 HEX HEAD CAP	1.000 EA
HW1001A25	LOCKWASHER 1/4, ZINC PLT .493 OD, .255 I	1.000 EA
HW1000A25	1/4 SAE FLAT WASHER (FS)	1.000 EA
HW1001A25	LOCKWASHER 1/4, ZINC PLT .493 OD, .255 I	1.000 EA
HW1000A25	1/4 SAE FLAT WASHER (FS)	1.000 EA
G7AP5010A02	7" TOOL REST ASSEMBLY R.H.10 45818107	1.000 EA
10XN2520A08	1/4-20X1/2 HEX HEAD CAP	1.000 EA
G6AP1002A01SP	SPARK BREAKER-6",7" & 8" GRINDERS	2.000 EA
10XN3118A10	5/16-18 X 5/8 HEX HEAD CAP	2.000 EA
HW1000A31	5/16 SAE FL WSHR NARROW, ID=.344, OD=.62	2.000 EA
HW1001A31	LOCKWASHER 5/16, ZINC PLT.591 OD, .319 I	2.000 EA
HA6053A01ZP	CLAMP, CAPACITOR 2" DIA, WHITE ZINC PLAT	1.000 EA
51XN1032A06	10-32 X .38 HEX SLOTTED SERRATED WASHER	2.000 EA
XY1032A02	10-32 HEX NUT DIRECTIONAL SERRATION	2.000 EA
G7AP5001A01	EYE SHIELD ASSEM.-7",8",10",12"&14"GRIND	1.000 EA
MG1000R01	400-0113 H/F BALDOR BIG RED LAC (5G)	0.014 GA

Parts List (continued)		
Part Number	Description	Quantity
10XF0440S02	04-40 X 1/8 TYPE F HEX HD STAINLESS STIC	2.000 EA
WD4006B01	TYPE O/B+ 3M SCOTCHLOK WIRE CONNECTOR	4.000 EA
HA3100A29	THRUBOLT 10-32 X 7.00	4.000 EA
LB1008	LABEL, UL	1.000 EA
LB1009	LABEL,ROTATION DIRECTION (ON ROLLS)	1.000 EA
LB1030	LABEL, OSHA (ON ROLLS)	1.000 EA
LB1307	LABEL, WARNING	1.000 EA
LB1119	WARNING LABEL	1.000 EA
LB1125C01	STD (STOCK) CARTON LABEL BALDOR WITH FLA	1.000 EA
MN903	INSTR MANUAL FOR GRINDERS 9/03	1.000 EA
LC0279A01	CONNECTION LABEL X	1.000 EA
NP0235	NP- 8" GR, BLANK W/CSA	1.000 EA
35PA1007	PACKAGING GROUP	1.000 EA

Accessories		
Part Number	Description	Multiplier
GA16RE	PEDESTAL LIGHT INDUSTRIAL,STEEL-RED	A8
GA14R	PEDESTAL FABRICATED STEEL W/SHELVES-RED	A8
GA16R	PEDESTAL IND., CAST IRON 6" - 10" RED	A8
B73	7" 36 GRIT GRINDING WHEEL	A8
B74	7" 60 GRIT GRINDING WHEEL	A8
GA9R	PAIR LIGHTED EYESHIELDS-RED	A8
GA9SR	PAIR LIGHTED EYESHIELD W/ON-OFF-RED	A8
BQ1-015-CC	1PH Bake, NEMA 1,110-125 VAC, 50/60Hz	E7
BQ1-015-CP	1PH Brake, Panel 110-125 VAC, 50/60 Hz	E7
DC7	DUST CONTROL UNIT	A8



CD0121



	LINE A	LINE B	JOIN
HIGH	1	4	2,3
LOW	1,3	2,4	-

NOTES:

1. CONNECTIONS ARE SHOWN FOR CCW ROTATION FACING END OPPOSITE SHAFT EXTENSION (STD). FOR CW ROTATION, INTERCHANGE 5 AND 8 INTERNALLY.
2. OPTIONAL THERMOSTAT IS PROVIDED WHEN SPECIFIED.
3. MULTIPLE CAPACITORS ARE CONNECTED IN PARALLEL UNLESS OTHERWISE SPECIFIED.
4. LEAD COLORS ARE OPTIONAL. LEADS MUST ALWAYS BE NUMBERED AS SHOWN.

REV. DESC: REVISE TO SHOW OPTIONAL COLORS			
REV. LTR: C	BY: JLP	REVISED: 04/08/99 4:14	TDR: 0178636
CD0121		FILE: AAA00007480	MDL: -
		MTL: -	

BALDOR ELECTRIC Co.

TYPE C, DV, FIX, 4 LEADS

CD0121