

BALDOR® • RELIANCE

Product Information Packet

7309D

.5HP,3000/3600RPM,3PH,50/60HZ,3420M,GRND

Copyright © All product information within this document is subject to Baldor Electric Company copyright © protection, unless otherwise noted.

| Part Detail | | | | | | | |
|------------------|-----------|-------------|-------------|----------------|----------|---------------|------------|
| Revision: | AG | Status: | PRD/A | Change #: | | Proprietary: | No |
| Type: | AC | Prod. Type: | 3420M | Elec. Spec: | G7WG0044 | CD Diagram: | |
| Enclosure: | GRND | Mfg Plant: | | Mech. Spec: | G7-0312 | Layout: | |
| Frame: | | Mounting: | F1 | Poles: | 02 | Created Date: | |
| Base: | RG | Rotation: | R | Insulation: | B | Eff. Date: | 06-21-2012 |
| Leads: | 9#18 | Literature: | | Elec. Diagram: | | Replaced By: | |
| Nameplate NP0113 | | | | | | | |
| CAT.NO. | 7309D | | | | | | |
| HP | .5 | VOLTS | 208-230/460 | | | | |
| PHASE | 3 | AMPS | .85-.8/.4 | | | | |
| HZ | 50//60 | RPM | 3000//3600 | | | | |
| SER.NO | | | | | | | |
| SPEC. | G7-312-44 | | | | | | |

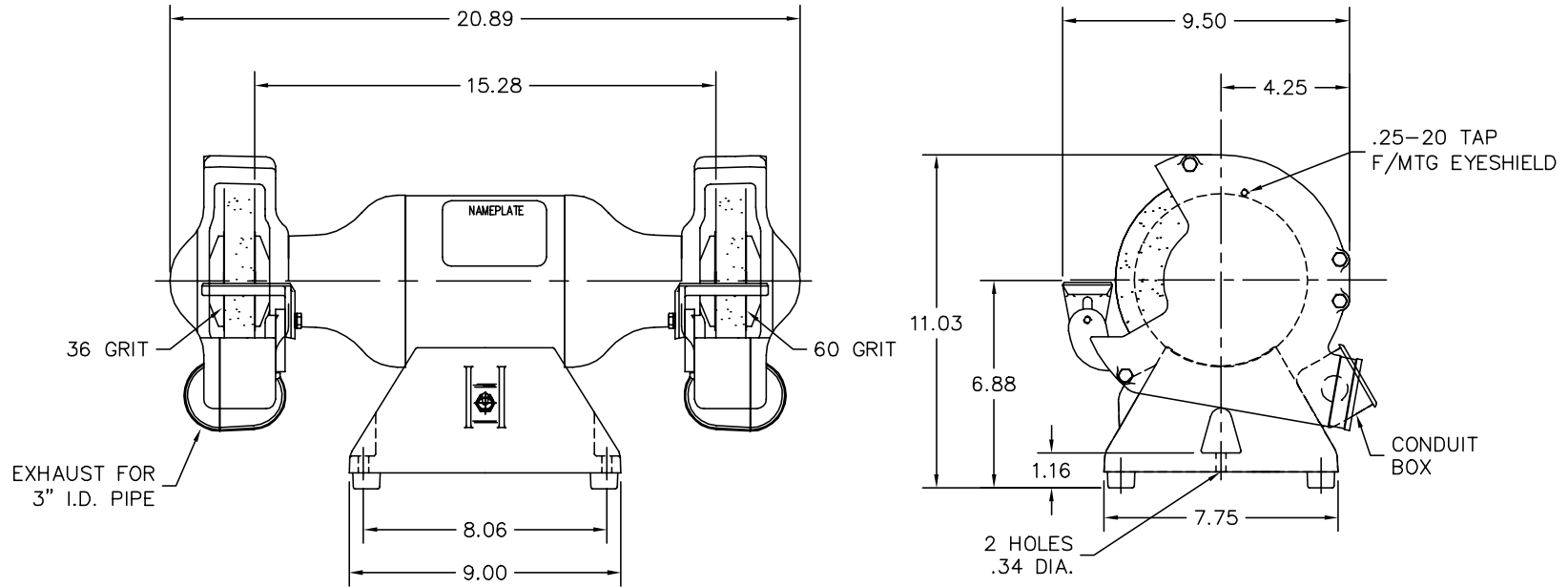
| Parts List | | |
|---------------|--|----------|
| Part Number | Description | Quantity |
| SA004991 | SA G7-312-44 | 1.000 EA |
| RA002341 | RA G7-312-44 | 1.000 EA |
| G7BA3000A01 | BASE, MACH | 1.000 EA |
| SP9004 | SWITCH HKA270-73 CARLING | 1.000 EA |
| G7CB4500 | BASE COVER PLATE 7" GRINDER | 1.000 EA |
| RM1005A01A | BASE FOOT & SCREW ASSLY | 4.000 EA |
| WD4502A01A02 | CONDUIT BOX W/KNOCKOUTS, FOR 7,8 & 10 GR | 1.000 EA |
| 51XW1032A06 | 10-32 X .38, TAPTITE II, HEX WSHR SLTD S | 2.000 EA |
| 51XW1032A06 | 10-32 X .38, TAPTITE II, HEX WSHR SLTD S | 2.000 EA |
| HW5100A03SP | WAVY WASHER (W1543-017) | 1.000 EA |
| G7EP3900A01 | ENDPLATE, MACH | 1.000 EA |
| HW5100A03SP | WAVY WASHER (W1543-017) | 1.000 EA |
| G7EP3900A01 | ENDPLATE, MACH | 1.000 EA |
| HA3100A29 | THRUBOLT 10-32 X 7.00 | 4.000 EA |
| XY1032A02 | 10-32 HEX NUT DIRECTIONAL SERRATION | 4.000 EA |
| G7FH1800A01SP | GRINDER GUARD, MACH | 1.000 EA |
| 10XF2520A16 | SCREW, HEX HD, ZN X | 3.000 EA |
| G7FH1801A01SP | GRINDER GUARD COVER, MACH | 1.000 EA |
| 10XN2520A16 | 1/4-20 X 1 HEX HEAD CAP SCR, ZINC PLATED | 4.000 EA |
| G7FH1802A01SP | GRINDER GUARD, MACH | 1.000 EA |
| 10XF2520A16 | SCREW, HEX HD, ZN X | 3.000 EA |
| G7FH1803A01SP | GRINDER GUARD COVER, MACH | 1.000 EA |
| 10XN2520A16 | 1/4-20 X 1 HEX HEAD CAP SCR, ZINC PLATED | 4.000 EA |
| HA2040A01SP | SPACER,CRST(WELKER#824500 | 2.000 EA |

| Parts List (continued) | | |
|------------------------|--|----------|
| Part Number | Description | Quantity |
| HA6096A01SP | WHEEL FLANGE, MACH | 4.000 EA |
| HW3021C04 | SPRG PIN 3/32 DIA .375LGH DRIV-LOK | 2.000 EA |
| G7AP3000A01 | WHEEL, 7 X 1 X 36 GRIT B73 X | 1.000 EA |
| G7AP3000A02 | WHEEL, 7 X 1 X 60 GRIT B74 X | 1.000 EA |
| XY6311A62 | 5/8-11 NUT L.H. HEX (NC)X (F/S) | 1.000 EA |
| XY6311A12SP | HEX NUT 5/8-11 | 1.000 EA |
| G6AP1008A01P | TOOLREST, MACH/PRIMED | 1.000 EA |
| HA6064A01P | PAINT/PRIME HA6064A01 | 1.000 EA |
| 10XN2520A14 | 1/4 20X7/8 HX HD CAP | 2.000 EA |
| HW1001A25 | LOCKWASHER 1/4, ZINC PLT .493 OD, .255 I | 2.000 EA |
| HW1000A25 | 1/4 SAE FLAT WASHER (FS) | 2.000 EA |
| G6AP1008A01P | TOOLREST, MACH/PRIMED | 1.000 EA |
| HA6064A01P | PAINT/PRIME HA6064A01 | 1.000 EA |
| 10XN2520A14 | 1/4 20X7/8 HX HD CAP | 2.000 EA |
| HW1001A25 | LOCKWASHER 1/4, ZINC PLT .493 OD, .255 I | 2.000 EA |
| HW1000A25 | 1/4 SAE FLAT WASHER (FS) | 2.000 EA |
| G6AP1002A01SP | SPARK BREAKER-6",7" & 8" GRINDERS | 1.000 EA |
| 10XN3118A10 | 5/16-18 X 5/8 HEX HEAD CAP | 1.000 EA |
| HW1001A31 | LOCKWASHER 5/16, ZINC PLT.591 OD, .319 I | 1.000 EA |
| HW1000A31 | 5/16 SAE FL WSHR NARROW, ID=.344, OD=.62 | 1.000 EA |
| G6AP1002A01SP | SPARK BREAKER-6",7" & 8" GRINDERS | 1.000 EA |
| 10XN3118A10 | 5/16-18 X 5/8 HEX HEAD CAP | 1.000 EA |
| HW1001A31 | LOCKWASHER 5/16, ZINC PLT.591 OD, .319 I | 1.000 EA |
| HW1000A31 | 5/16 SAE FL WSHR NARROW, ID=.344, OD=.62 | 1.000 EA |

| Parts List (continued) | | |
|------------------------|--|----------|
| Part Number | Description | Quantity |
| WD4503A01 | LID R860 HANDY BOX LID, USED WITH BOX WD | 1.000 EA |
| GA9 | EYESHIELD ASSY | 1.000 EA |
| GA24 | WATER POT ASSY | 1.000 EA |
| GA25 | TOOL TRAY ASSY | 1.000 EA |
| MG1000G01 | 400-0116 BATTLESHIP GRAY LACQUER (55G) | 0.014 GA |
| 10XF0440S02 | 04-40 X 1/8 TYPE F HEX HD STAINLESS STIC | 2.000 EA |
| LB1008 | LABEL, UL | 1.000 EA |
| LB1009 | LABEL,ROTATION DIRECTION (ON ROLLS) | 1.000 EA |
| LB1030 | LABEL, OSHA (ON ROLLS) | 1.000 EA |
| LB1307 | LABEL, WARNING | 1.000 EA |
| LB1119 | WARNING LABEL | 1.000 EA |
| LB1125C01 | STD (STOCK) CARTON LABEL BALDOR WITH FLA | 1.000 EA |
| MN903 | INSTR MANUAL FOR GRINDERS 9/03 | 1.000 EA |
| LC0005B01 | CONN LABEL GRINDER/BUFFER X | 1.000 EA |
| NP0113 | N.P.- DELUXE GRINDERS - BUFFERS | 1.000 EA |
| 07PA1005 | PKG GRP., BALDOR | 1.000 EA |

| Accessories | | |
|-------------|---|------------|
| Part Number | Description | Multiplier |
| GA16E | PEDESTAL LIGHT INDUSTRIAL,STEEL | A8 |
| GA16 | PEDESTAL INDUSTRIAL, CAST IRON 6" - 10" | A8 |
| GA14 | PEDESTAL FABRICATED STEEL W/SHELVES | A8 |
| B73 | 7" 36 GRIT GRINDING WHEEL | A8 |
| B74 | 7" 60 GRIT GRINDING WHEEL | A8 |
| GA9 | PAIR LIGHTED EYESHIELDS | A8 |
| GA9-1 | SINGLE LIGHTED EYESHIELD | A8 |
| GA9S | PAIR EYESHIELDS W/ ON-OFF SWITCH | A8 |
| GA11 | PAIR EYESHIELDS | A8 |
| DC7 | DUST CONTROL UNIT | A8 |

G7LY0312



CUSTOMER IS RESPONSIBLE FOR DETERMINING THAT MOTOR PERFORMANCE IS SUITABLE IN THE APPLICATION.

| | | |
|--|----------------------|------------------------------|
| REV. DESC: REMOVE SPARK BREAKERS, TO BE PACKED | | |
| REV. LTR: J | VERSION: 01 | TDR: 000000429573 |
| G7LY0312 | FILE: \AAA\00045\868 | REVISED: 10:17:23 04/24/2007 |
| | MTL: - | BY: ENMARWI |

BALDOR ELECTRIC Co.

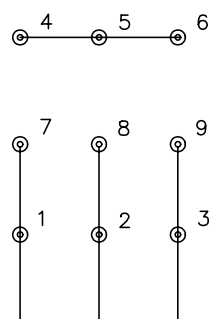
7" DELUXE GRINDER TYPE M, CAT NO'S 7308D & 7309D

G7LY0312

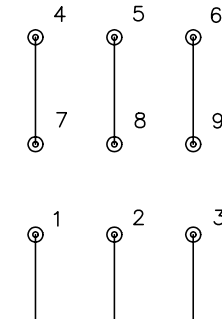
CD0005



LOW VOLTAGE
(2Y)



HIGH VOLTAGE
(1Y)



NOTES:

1. INTERCHANGE ANY TWO LINE LEADS TO REVERSE ROTATION.
2. OPTIONAL THERMOSTATS ARE PROVIDED WHEN SPECIFIED.
3. ACTUAL NUMBER OF INTERNAL PARALLEL CIRCUITS MAY BE A MULTIPLE OF THOSE SHOWN ABOVE.
4. LEAD COLORS ARE OPTIONAL. LEADS MUST ALWAYS BE NUMBERED AS SHOWN.

| | | | |
|---|---------|-------------------------|--------------|
| REV. DESC: REVISE TO SHOW OPTIONAL COLORS | | | |
| REV. LTR: E | BY: JLP | REVISED: 01/19/99 10:15 | TDR: 0171435 |
| 90000 | | FILE: AAA00005140 | MDL: - |
| | | MTL: - | |

BALDOR ELECTRIC Co.

3PH, DV, 9 LEADS

CD0005