

BALDOR® • *RELIANCE*

Product Information Packet

8102WD

.75HP, 1500/1800RPM, 3PH, 50/60HZ, 3524M

Copyright © All product information within this document is subject to Baldor Electric Company copyright © protection, unless otherwise noted.

| Part Detail | | | | | | | |
|-------------|-------------|-------------|-------|----------------|----------|---------------|------------|
| Revision: | AH | Status: | PRD/A | Change #: | | Proprietary: | No |
| Type: | AC | Prod. Type: | 3524M | Elec. Spec: | G8WG0014 | CD Diagram: | |
| Enclosure: | TENV | Mfg Plant: | | Mech. Spec: | G8-236 | Layout: | |
| Frame: | | Mounting: | F1 | Poles: | 04 | Created Date: | |
| Base: | RG | Rotation: | POS | Insulation: | B | Eff. Date: | 05-18-2012 |
| Leads: | 9#18 12" LG | Literature: | Y | Elec. Diagram: | | Replaced By: | |

| Nameplate NP0113 | | | |
|------------------|-----------|-------|-------------|
| CAT.NO. | 8102WD | | |
| HP | .75 | VOLTS | 208-230/460 |
| PHASE | 3 | AMPS | 1.4/.7 |
| HZ | 50//60 | RPM | 1500//1800 |
| SER.NO | | | |
| SPEC. | G8-236-14 | | |

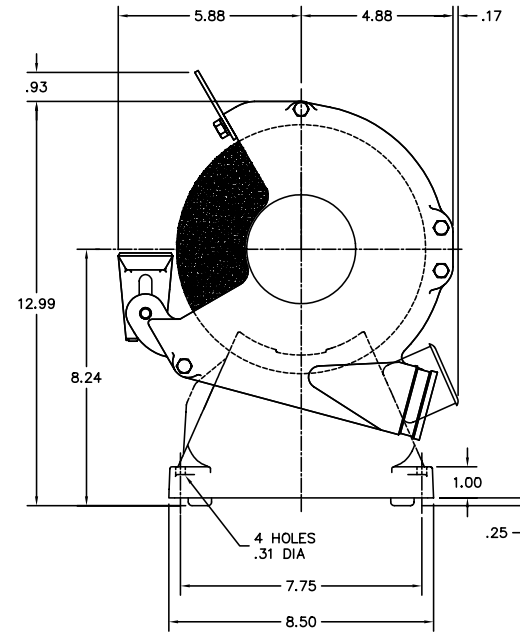
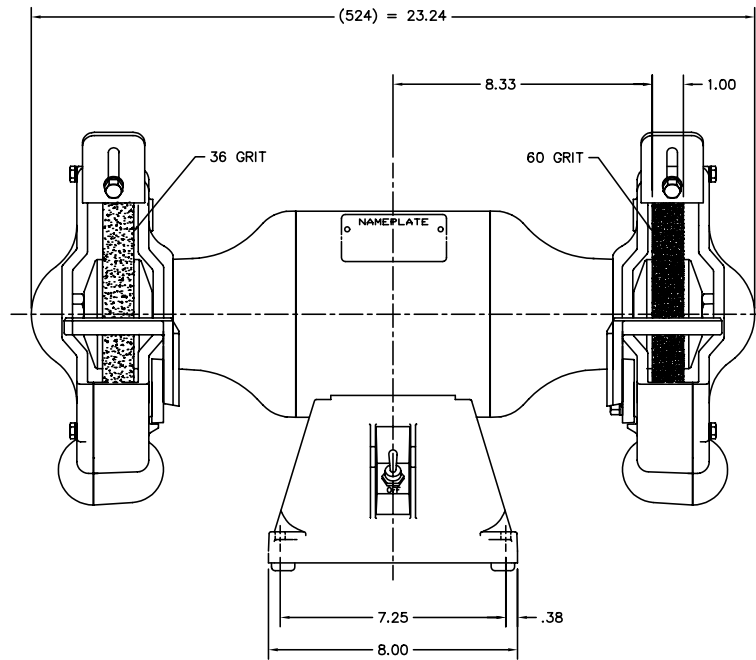
| Parts List | | |
|---------------|--|----------|
| Part Number | Description | Quantity |
| SA037666 | SA G8-236-14 | 1.000 EA |
| RA033691 | RA G8-236-14 | 1.000 EA |
| G8BA3000A01 | BASE, MACH | 1.000 EA |
| 19XX2510A14 | 1/4-10 X 7/8 HEX HD PLASTITE SCREW | 4.000 EA |
| HW1000A25 | 1/4 SAE FLAT WASHER (FS) | 4.000 EA |
| WD4502A01A02 | CONDUIT BOX W/KNOCKOUTS, FOR 7,8 & 10 GR | 1.000 EA |
| 51XB1016A06 | 10-16X3/8 HXWSSLD SERTYB | 2.000 EA |
| WD4503A01 | LID R860 HANDY BOX LID, USED WITH BOX WD | 1.000 EA |
| G8CB4500A02 | G8-272 BASE COVER,STPD X PLATED | 1.000 EA |
| 51XW0832A07 | 8-32 X .44, TAPTITE II, HEX WSHR SLTD SE | 2.000 EA |
| RM1005A01SP | BUMPER- #2089 (R-R CO) | 4.000 EA |
| 15XF1032A10 | 10-32X5/8 PIN HD PHL TY FSEE JT | 4.000 EA |
| G8EP3900A01SP | ENDPLATE, MACH | 2.000 EA |
| HW5100A06 | W2420-025 WVY WSHR (WB) | 1.000 EA |
| HA3100A14 | THRUBOLT 10-32 X 7.875 | 4.000 EA |
| HW5100A06 | W2420-025 WVY WSHR (WB) | 1.000 EA |
| XY1032A02 | 10-32 HEX NUT DIRECTIONAL SERRATION | 4.000 EA |
| G8FH1800A01SP | GRINDER GUARD - R.H. 8" GRINDER | 1.000 EA |
| 19XW2520A16 | SCREW,1/4-20X1 TAPTITE-II OR ROLOC 91 | 4.000 EA |
| G8FH1802A01SP | GRINDER GUARD - L.H. 8" GRINDER | 1.000 EA |
| 19XW2520A16 | SCREW,1/4-20X1 TAPTITE-II OR ROLOC 91 | 4.000 EA |
| HA6099A01SP | 8" GRINDER TOOL REST SUPPORT | 1.000 EA |
| 10XN3816A18 | SCREW, HEX HD, ZINC | 2.000 EA |
| HW1001A38 | LOCKWASHER 3/8, ZINC PLT .688 OD, .382 I | 2.000 EA |

| Parts List (continued) | | |
|------------------------|--|----------|
| Part Number | Description | Quantity |
| HW1000A38 | WASHER, 3/8" FLAT, SAE Z/P | 2.000 EA |
| HA6099A01SP | 8" GRINDER TOOL REST SUPPORT | 1.000 EA |
| 10XN3816A18 | SCREW, HEX HD, ZINC | 2.000 EA |
| HW1001A38 | LOCKWASHER 3/8, ZINC PLT .688 OD, .382 I | 2.000 EA |
| HW1000A38 | WASHER, 3/8" FLAT, SAE Z/P | 2.000 EA |
| G6AP1002A01SP | SPARK BREAKER-6",7" & 8" GRINDERS | 1.000 EA |
| 10XN3118A12 | 5/16-18 X 3/4 HEX HEAD CAP | 1.000 EA |
| HW1001A31 | LOCKWASHER 5/16, ZINC PLT.591 OD, .319 I | 1.000 EA |
| HW1000A31 | 5/16 SAE FL WSHR NARROW, ID=.344, OD=.62 | 1.000 EA |
| G6AP1002A01SP | SPARK BREAKER-6",7" & 8" GRINDERS | 1.000 EA |
| 10XN3118A12 | 5/16-18 X 3/4 HEX HEAD CAP | 1.000 EA |
| HW1001A31 | LOCKWASHER 5/16, ZINC PLT.591 OD, .319 I | 1.000 EA |
| HW1000A31 | 5/16 SAE FL WSHR NARROW, ID=.344, OD=.62 | 1.000 EA |
| HA6098 | WHEEL FLANGE, CAST | 4.000 EA |
| HW3020E04 | 1/8 X 3/8 A GROOVE PIN (DRIV-LOCK #118 | 2.000 EA |
| G8AP3000A01 | A36N5V10 8X1X3/4 36GRIT X | 1.000 EA |
| G8AP3000A02 | A60N6V10 8X1X3/4 60GRIT X | 1.000 EA |
| XY7510A12SP | 3/4-10 NUT R.H. HEX (NC) ZINC PLATED | 1.000 EA |
| XY7510A62SP | 3/4-10 NUT L.H. HEX (NC) (F/S) | 1.000 EA |
| G8FH1801A01SP | GUARD COVER - R.H. 8" GRINDER | 1.000 EA |
| 10XN2520A16 | 1/4-20 X 1 HEX HEAD CAP SCR, ZINC PLATED | 4.000 EA |
| G8FH1803A01SP | GUARD COVER - L.H. 8" GRINDER | 1.000 EA |
| 10XN2520A16 | 1/4-20 X 1 HEX HEAD CAP SCR, ZINC PLATED | 4.000 EA |
| G8AP1003A01SP | TOOL REST | 1.000 EA |

| Parts List (continued) | | |
|------------------------|--|----------|
| Part Number | Description | Quantity |
| 10XN3816A16 | 3/8-16 X 1 HEX HD CAP SCREW | 1.000 EA |
| HW1001A38 | LOCKWASHER 3/8, ZINC PLT .688 OD, .382 I | 1.000 EA |
| HW1000A38 | WASHER, 3/8" FLAT, SAE Z/P | 1.000 EA |
| G8AP1003A01SP | TOOL REST | 1.000 EA |
| 10XN3816A16 | 3/8-16 X 1 HEX HD CAP SCREW | 1.000 EA |
| HW1001A38 | LOCKWASHER 3/8, ZINC PLT .688 OD, .382 I | 1.000 EA |
| HW1000A38 | WASHER, 3/8" FLAT, SAE Z/P | 1.000 EA |
| GA9 | EYESHIELD ASSY | 1.000 EA |
| G9AP5002A01 | A-683 WATER POT .18 45809107 | 1.000 EA |
| GA25 | TOOL TRAY ASSY | 1.000 EA |
| 85XU0407S04 | 4X1/4 U DRIVE PIN STAINLESS | 2.000 EA |
| SP9004 | SWITCH HKA270-73 CARLING | 1.000 EA |
| MJ1000A75 | GREASE, POLYREX EM EXXON | 0.050 LB |
| HA1000A34 | DR2463A .02 BRG GUARD B N | 2.000 EA |
| MG1000G01 | 400-0116 BATTLESHIP GRAY LACQUER (55G) | 0.017 GA |
| LB1119 | WARNING LABEL | 1.000 EA |
| LB1125C01 | STD (STOCK) CARTON LABEL BALDOR WITH FLA | 1.000 EA |
| LB1388A02 | CONSOLIDATED GRINDER LABEL FOR 6", 7", 8 | 1.000 EA |
| MN909 | EYESHIELD MTG INSTR. FOR GA9, GA10 & GA1 | 1.000 EA |
| LB1454 | #0153-02-03-S1550/E47175 | 1.000 EA |
| LC0005B01 | CONN LABEL GRINDER/BUFFER X | 1.000 EA |
| NP0113 | N.P. - DELUXE GRINDERS - BUFFERS | 1.000 EA |
| 07PA1007 | PKG GRP., BALDOR | 1.000 EA |
| MN903 | INSTR MANUAL FOR GRINDERS 9/03 | 1.000 EA |

| Accessories | | |
|-------------|---|------------|
| Part Number | Description | Multiplier |
| GA16 | PEDESTAL INDUSTRIAL, CAST IRON 6" - 10" | A8 |
| GA14 | PEDESTAL FABRICATED STEEL W/SHELVES | A8 |
| GA20 | PEDESTAL INDUSTRIAL, CAST IRON 8"-14" | A8 |
| GA20E | PEDESTAL LIGHT INDUSTRIAL,STEEL | A8 |
| B80 | 8" 36 GRIT GRINDING WHEEL | A8 |
| B81 | 8" 60 GRIT GRINDING WHEEL | A8 |
| GA9 | PAIR LIGHTED EYESHIELDS | A8 |
| GA9-1 | SINGLE LIGHTED EYESHIELD | A8 |
| GA9S | PAIR EYESHIELDS W/ ON-OFF SWITCH | A8 |
| GA11 | PAIR EYESHIELDS | A8 |
| DC8 | DUST CONTROL UNIT | A8 |

G8LY0236



CUSTOMER IS RESPONSIBLE FOR DETERMINING THAT MOTOR PERFORMANCE IS SUITABLE IN THE APPLICATION.

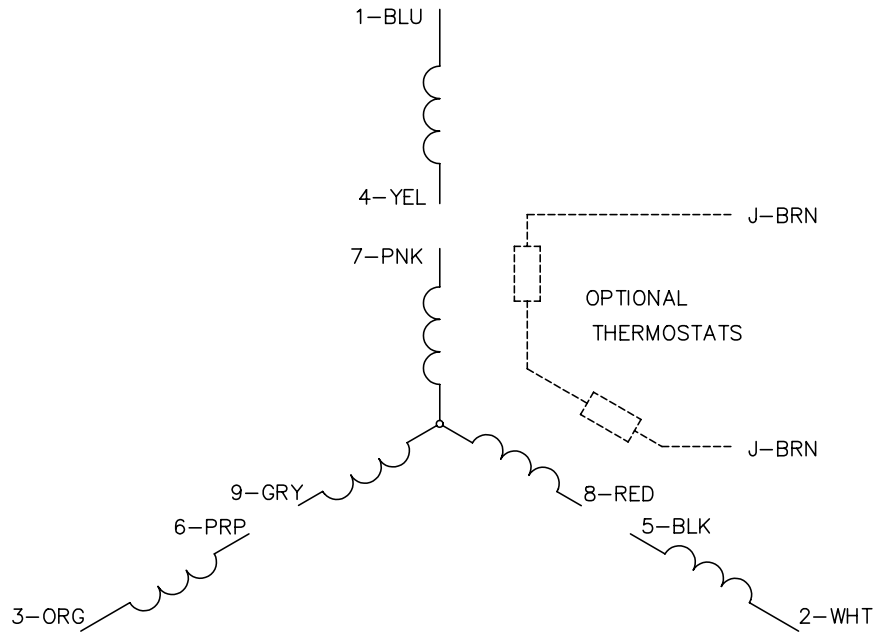
| | | | |
|---|---------|------------------------|--------------|
| REV. DESC: OMITTED FELT WSHR HA1025A03 & CHG'D TO SEALED BRGS | | | |
| REV. LTR: D | BY: SSS | REVISED: 09/29/00 2:38 | TDR: 0212666 |
| FILE: AAA00036170 | REF: - | | |
| MTL: - | | | |

BALDOR ELECTRIC Co.

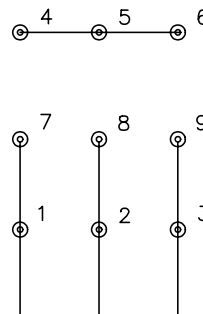
STD 8" GRINDER 524M W/EYESHIELDS, WATER POT, TOOL REST

G8LY0236

CD0005

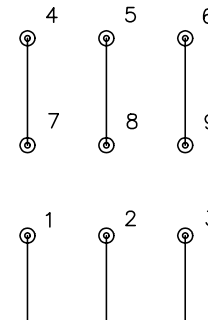


LOW VOLTAGE
(2Y)



LINE

HIGH VOLTAGE
(1Y)



LINE

NOTES:

1. INTERCHANGE ANY TWO LINE LEADS TO REVERSE ROTATION.
2. OPTIONAL THERMOSTATS ARE PROVIDED WHEN SPECIFIED.
3. ACTUAL NUMBER OF INTERNAL PARALLEL CIRCUITS MAY BE A MULTIPLE OF THOSE SHOWN ABOVE.
4. LEAD COLORS ARE OPTIONAL. LEADS MUST ALWAYS BE NUMBERED AS SHOWN.

| | | | |
|---|---------|-------------------------|--------------|
| REV. DESC: REVISE TO SHOW OPTIONAL COLORS | | | |
| REV. LTR: E | BY: JLP | REVISED: 01/19/99 10:15 | TDR: 0171435 |
| 90000 | | FILE: AAA00005140 | MDL: - |
| | | MTL: - | |

BALDOR ELECTRIC Co.

3PH, DV, 9 LEADS

CD0005