

BALDOR® • **RELIANCE**

Product Information Packet

AEM3683-4

1HP,1750RPM,3PH,60HZ,182,0617M,TENV,F1

Copyright © All product information within this document is subject to Baldor Electric Company copyright © protection, unless otherwise noted.

Part Detail									
Revision:	R	Status:	PRD/A	Change #:		Proprietary:	No		
Type:	AC	Prod. Type:	0617M	Elec. Spec:	06WGW405	CD Diagram:			
Enclosure:	TENV	Mfg Plant:		Mech. Spec:	06H063	Layout:			
Frame:	182	Mounting:	F1	Poles:	04	Created Date:			
Base:	RG	Rotation:	R	Insulation:	F	Eff. Date:	04-15-2011		
Leads:	3#16	Literature:		Elec. Diagram:		Replaced By:			
Nameplate NP1404E									
CAT.NO.	AEM3683-4								
SPEC.	06H063W405								
VOLTS	460								
AMP	1.5								
RPM	1750	HP	1						
FRAME	182	HZ	60	PH	3				
SER.F.	1.00	CODE	M	DES	B	CL	F		
NEMA-NOM-EFF	84	PF	75						
G.MIN.EFF	81.5	CC							
RATING	65C AMB-CONT								
LUBRICATION	POLYREX EM								
DE	6206	ODE	6205						
ENCL	TENV	SER. #							
	MEETS GM-7EQ								

Parts List		
Part Number	Description	Quantity
SA020382	SA 06H063W405	1.000 EA
RA016435	RA 06H063W405	1.000 EA
HW3201A05	3/8-16 EYEBOLT	1.000 EA
06CB1000A02	CONDUIT BOX, MACH, W/.75 PIPE TAP & #18	1.000 EA
06GS1007	GASKET, CONDUIT BOX	1.000 EA
51XW2520A12	.25-20 X .75, TAPTITE II, HEX WSHR SLTD	2.000 EA
11XW1032G06	10-32 X .38, TAPTITE II, HEX WSHR SLTD U	1.000 EA
HW3001B01	003SS CUP WASHER, FOR #8 SCREW	1.000 EA
36EP1101A50	FR ENDPLATE MACH, TENV	1.000 EA
HW4500A19	1/4-28X1/4 SLOTTED PLUG F/S	2.000 EA
HA4001A01SP	DRAIN PLUG, PLASTIC (MICRO PLAS)	1.000 EA
HW5100A05	WVY WSHR F/205 & 304 BRGS	1.000 EA
36EP1100A21	PU ENDPLATE MACH	1.000 EA
HW4500A19	1/4-28X1/4 SLOTTED PLUG F/S	2.000 EA
HW4500A20	1/8NPT SL PIPE PLUG	1.000 EA
HA3101A34	THRUBOLT- 1/4-20 X 10.375	4.000 EA
XY2520A12	1/4-20 HEX NUT, DIRECTIONAL SERRATIONS	4.000 EA
06CB1500A01	CONDUIT BOX LID, MACH	1.000 EA
06GS1003	GASKET, KOBX LID, 1/8" THICK BLACK NEOPR	1.000 EA
10XF2520A12	1/4-20 X 3/4 HX HD TYPE F	2.000 EA
HW1001A25	LOCKWASHER 1/4, ZINC PLT .493 OD, .255 I	2.000 EA
HA1005A22	SLINGER, OD 2.00, ID 1.14, 206 BRG, GM	1.000 EA
MJ5001A01	46-665 RED SEALER	0.001 QT
HW2501D13SP	KEY, 3/16 SQ X 1.375	1.000 EA

Parts List (continued)		
Part Number	Description	Quantity
HA7000A01	KEY RETAINER 7/8" DIA SHAFT	1.000 EA
85XU0407S04	4X1/4 U DRIVE PIN STAINLESS	2.000 EA
LB1115	LABEL,LIFTING DEVICE	1.000 EA
WD1000B03	BURNDY YAV14 TERML (1M/PK)	3.000 EA
MJ1000A75	GREASE, POLYREX EM EXXON	0.050 LB
MG1025G02	PAINT, 782-02 WILKOFASST LIGHT GREY EPOXY	0.028 GA
LB1119	WARNING LABEL	1.000 EA
LB1125C01	STD (STOCK) CARTON LABEL BALDOR WITH FLA	1.000 EA
NP1404E	SS UL CSA CC "AUTOMOTIVE"	1.000 EA
LC0006	CONNECTION LABEL	1.000 EA
36PA1001	PACKAGING GROUP	1.000 EA

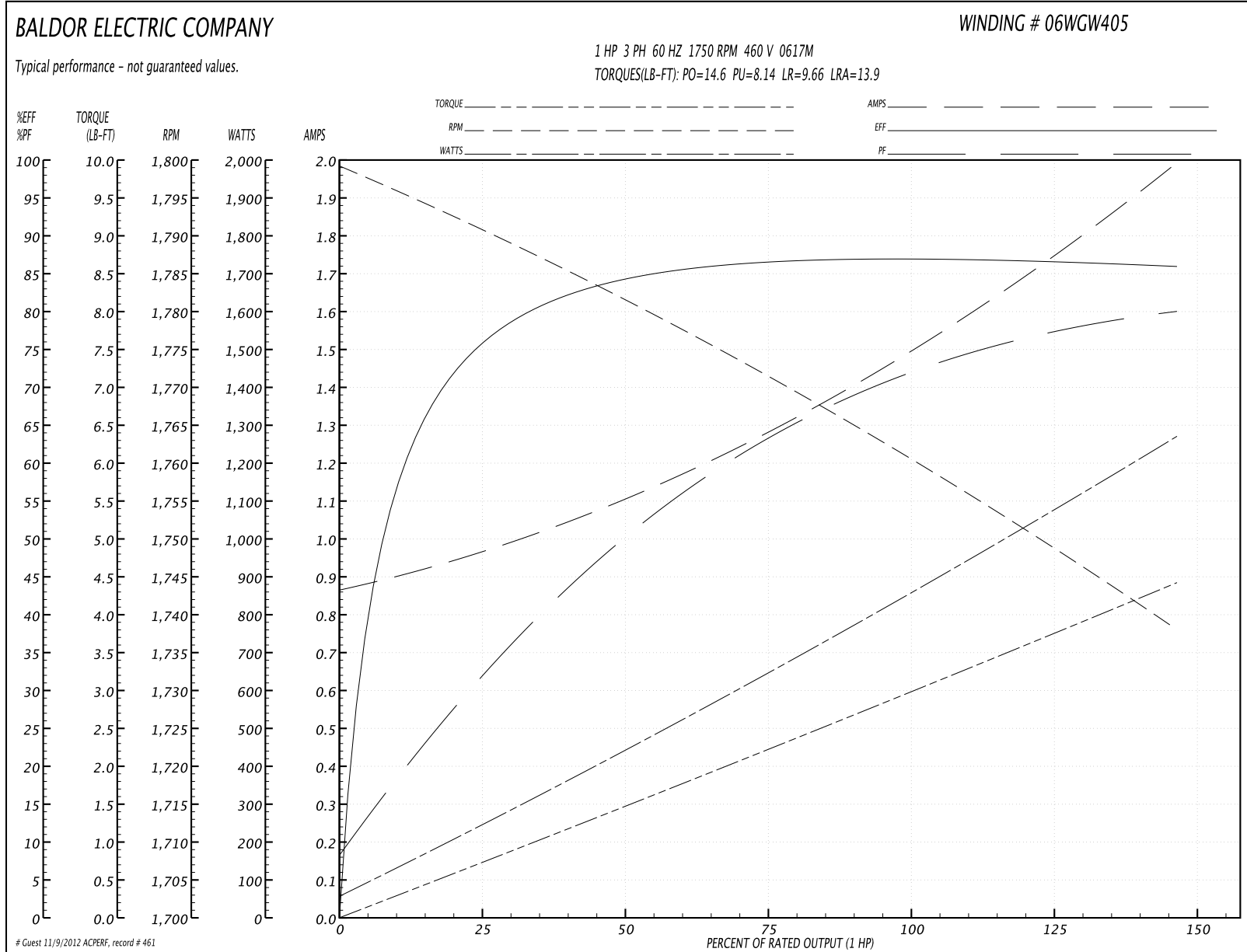
Accessories		
Part Number	Description	Multiplier
36-3301	C FACE KIT	A8

Performance Data at 460V, 60Hz, 1.0HP (Typical performance - Not guaranteed values)

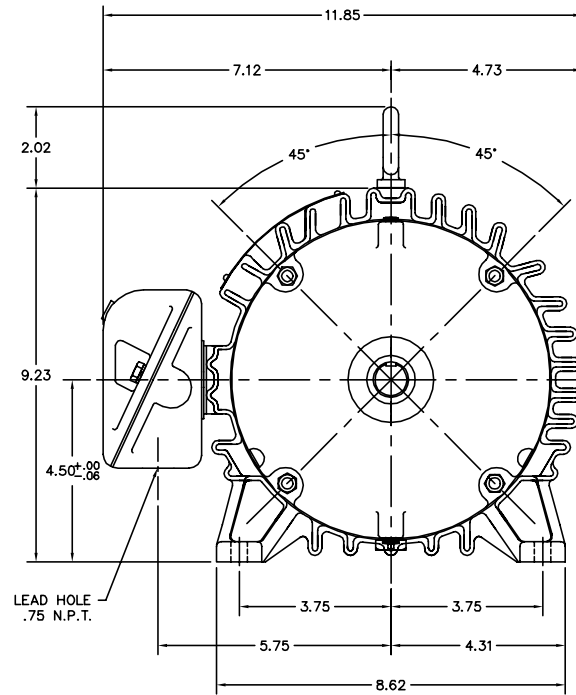
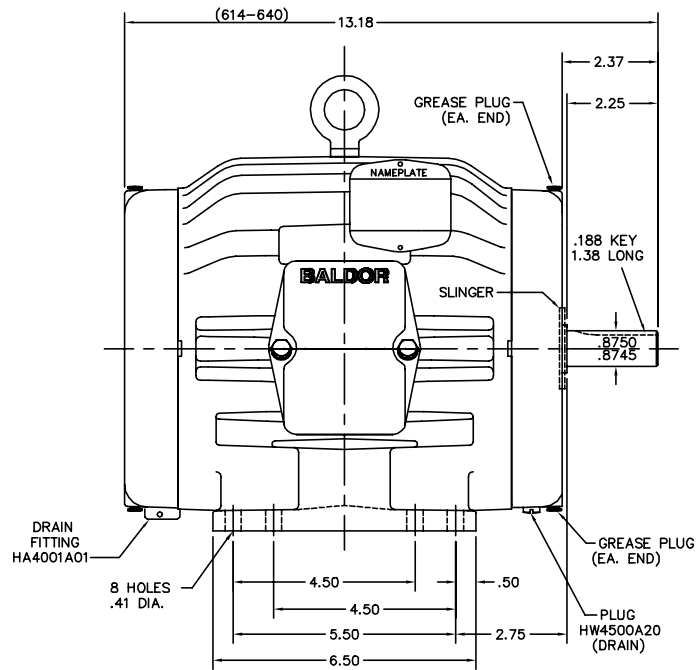
General Characteristics			
Full Load Torque:	2.95 LB-FT	Start Configuration:	DOL
No-Load Current:	0.88 Amps	Break-Down Torque:	14.6 LB-FT
Line-line Res. @ 25°C.:	12.1 Ohms A Ph / 0.0 Ohms B Ph	Pull-Up Torque:	8.14 LB-FT
Temp. Rise @ Rated Load:	35 C	Locked-Rotor Torque:	9.66 LB-FT
Temp. Rise @ S.F. Load:		Starting Current:	13.9 Amps

Load Characteristics							
% of Rated Load	25	50	75	100	125	150	S.F.
Power Factor:	34.0	53.0	67.0	75.0	80.0	84.0	0.0
Efficiency:	75.5	84.0	86.6	87.0	86.7	85.9	0.0
Speed:	1791.0	1782.0	1771.0	1761.0	1750.0	1738.0	0.0
Line Amperes:	0.94	1.1	1.3	1.5	1.7	2.0	0.0

Performance Graph at 460V, 60Hz, 1.0HP Typical performance - Not guaranteed values



06LYH063



CUSTOMER IS RESPONSIBLE FOR DETERMINING THAT MOTOR PERFORMANCE IS SUITABLE IN THE APPLICATION.

REV. DESC: 06SF1107A01 WAS 06SF1107A12			
REV. LTR: C	BY: RMP	REVISED: 11:39:38 01/21/2003	TDR: 291603
FILE: AAA00007816		REF: 06LYH063	
MTL: -			

BALDOR ELECTRIC Co.

SPL 182-184 TENV HORZ 306M - GM SPEC

06LYH063

CD0006



NOTES:

1. THREE LEAD MOTOR MAY BE EITHER WYE CONNECTED OR DELTA CONNECTED.
2. INTERCHANGE ANY TWO LINE LEADS TO REVERSE ROTATION.
3. OPTIONAL THERMOSTATS ARE PROVIDED WHEN SPECIFIED.
4. ACTUAL NUMBER OF INTERNAL PARALLEL CIRCUITS MAY VARY.
5. LEAD COLORS ARE OPTIONAL. LEADS MUST BE NUMBERED AS SHOWN.

REV. DESC: REVISE TO SHOW OPTIONAL COLORS			
REV. LTR: D	BY: JLP	REVISED: 01/21/99 4:02	TDR: 0171435
9000D		FILE: AAA00005141	MDL: -
		MTL: -	

BALDOR ELECTRIC Co.

3PH, SV, 3 LEADS, WYE OR DELTA CONNECTED

CD0006