

# **BALDOR**® • *RELIANCE*

## **Product Information Packet**

# **AEM4103-4**

**25HP, 1775RPM, 3PH, 60HZ, 324U, 1246M, TEFC, F1**

Copyright © All product information within this document is subject to Baldor Electric Company copyright © protection, unless otherwise noted.

Part Detail									
Revision:	M	Status:	PRD/A	Change #:		Proprietary:	No		
Type:	AC	Prod. Type:	1246M	Elec. Spec:	12WGX158	CD Diagram:			
Enclosure:	TEFC	Mfg Plant:		Mech. Spec:	12H79	Layout:			
Frame:	324U	Mounting:	F1	Poles:	04	Created Date:			
Base:	RG	Rotation:	R	Insulation:	F	Eff. Date:	09-17-2012		
Leads:	3#10	Literature:		Elec. Diagram:		Replaced By:			
Nameplate NP1404E									
CAT.NO.	AEM4103-4								
SPEC.	12H079X158G1								
VOLTS	460								
AMP	29.5								
RPM	1775	HP	25						
FRAME	324U	HZ	60	PH	3				
SER.F.	1.00	CODE	F	DES	B	CL	F		
NEMA-NOM-EFF	92.4	PF	87						
G.MIN.EFF	91.0	CC							
RATING	65C AMB-CONT								
LUBRICATION	POLYREX EM								
DE	6312	ODE	6311						
ENCL	TEFC	SER. #							
	MEETS GM-7EHQ								

Parts List		
Part Number	Description	Quantity
SA053127	SA 12H079X158G1	1.000 EA
RA047878	RA 12H079X158G1	1.000 EA
10CB1000A04P	CONDUIT BOX, MACH W/EPOXY PRIMER	1.000 EA
09GS1010	GASKET, DWG, LEADWIRE SEPERATOR	1.000 EA
10XN3118K16	5/16-18 X 1" GRADE #5, STL, ZINC PLATE	4.000 EA
HW1001A31	LOCKWASHER 5/16, ZINC PLT.591 OD, .319 I	4.000 EA
WD1000B16	KPA-4C BURNDY TERMINAL	1.000 EA
10XN2520K06	1/4-20 X 3/8" HX HD SCREWGRADE 5, ZINC P	1.000 EA
HW1001A25	LOCKWASHER 1/4, ZINC PLT .493 OD, .255 I	1.000 EA
12EP1107A05P	FR ENDPLATE, MACH W/EPOXY PRIMER	1.000 EA
HA3400A13SP	STUD, 1/2-13 X 7" WELKER	4.000 EA
HW1001A50	LOCKWASHER 1/2, ZINC PLT,.879 OD, .509 I	4.000 EA
12FH1002P	FAN COVER, CAST W/EPOXY PRIMER	1.000 EA
HW5100A13	W4627-047 WVY WSHER	1.000 EA
12EP1106A02P	PU ENDPLATE, MACH W/EPOXY PRIMER	1.000 EA
10XN3118K36	5/16-18 X 2.25" HEX HD, GRADE 5	2.000 EA
10XN3118K40	5/16-18 X 2.50" HEX HD, GRADE 5	4.000 EA
10XN5013K28	1/2-13 X 1.75 HEX HEAD MACH SCREW,GRAD	4.000 EA
HW1001A50	LOCKWASHER 1/2, ZINC PLT,.879 OD, .509 I	4.000 EA
XY5013A12	NUT,1/2-13,HEX,STEEL,ZINCPLATED	4.000 EA
HW1001A50	LOCKWASHER 1/2, ZINC PLT,.879 OD, .509 I	4.000 EA
HA1005A04SP	SLINGER, OD 3.620, ID 1.98,	1.000 EA
HW4600B41	V-RING SLINGER 2.125 X 2.880 X 0.280	1.000 EA
10CB1500A01P	CONDUIT BOX LID, MACH W/EPOXY PRIMER	1.000 EA

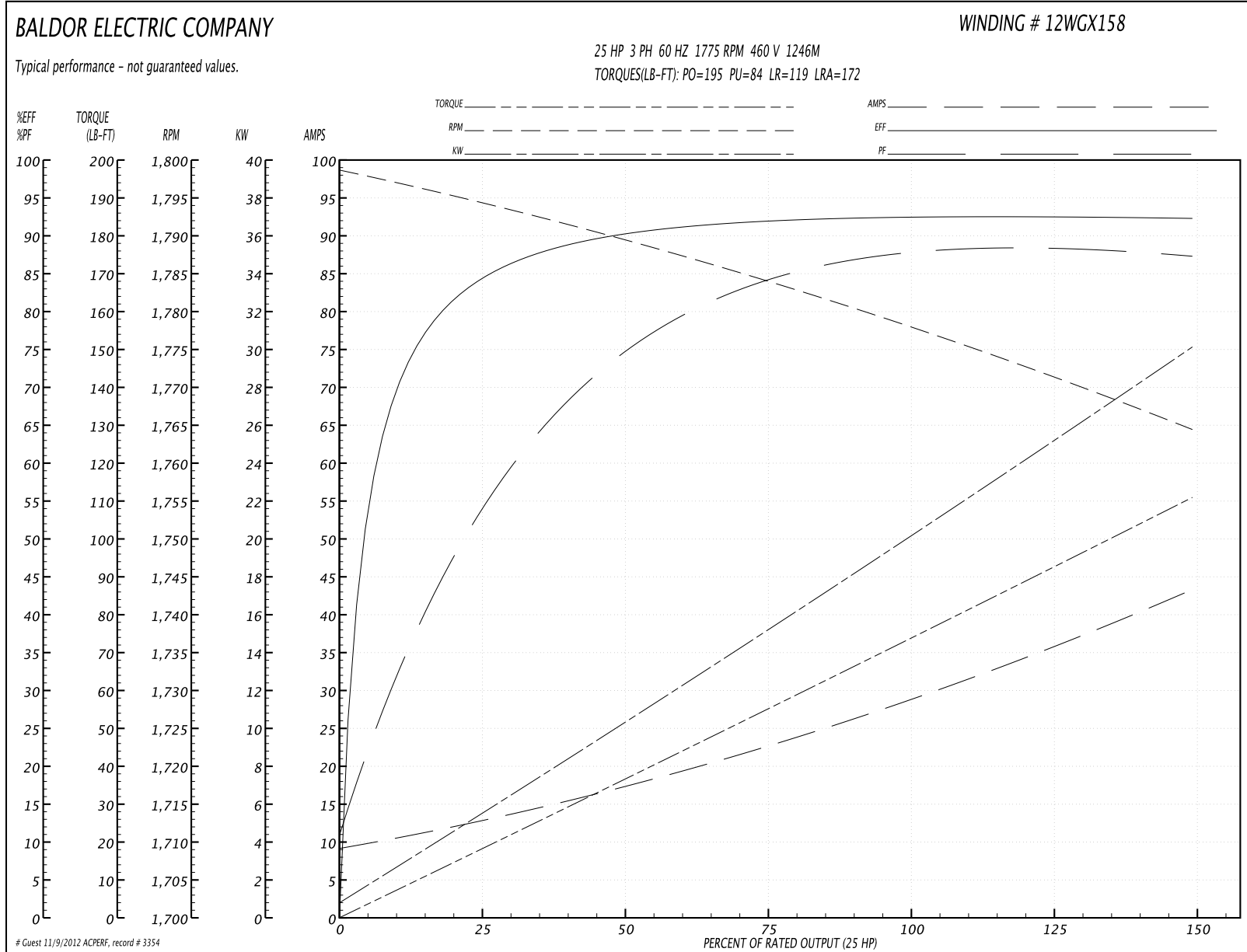
Parts List (continued)		
Part Number	Description	Quantity
14GS1003	GASKET CONDUIT BOX LID, NEOP	1.000 EA
10XN2520K16	1/4-20 X 1" HX HD SCRW GRADE 5, ZINC P	4.000 EA
HW1001A25	LOCKWASHER 1/4, ZINC PLT .493 OD, .255 I	4.000 EA
MJ5001A01	46-665 RED SEALER	0.031 QT
MJ5004A04	ADHESIVE LOCTITE 609	0.005 EA
MJ5001A14	DYNAPRO SEAL, CP MOTORS VC#2508050 (603	0.001 EA
MJ5002A01	SILICON RUBBER SEALANT, 732CL 10.3 OZ TU	0.050 EA
HW2501H38	KEY, 1/2 SQ X 4.500	1.000 EA
LB1115	LABEL,LIFTING DEVICE	1.000 EA
HW4500A20	1/8NPT SL PIPE PLUG	2.000 EA
HA4001A01SP	DRAIN PLUG, PLASTIC (MICRO PLAS)	1.000 EA
MJ1000A75	GREASE, POLYREX EM EXXON	0.200 LB
HW4500A20	1/8NPT SL PIPE PLUG	3.000 EA
MG1025G02	PAINT, 782-02 WILKOFASST LIGHT GREY EPOXY	0.080 GA
85XU0407S04	4X1/4 U DRIVE PIN STAINLESS	2.000 EA
LB5040	INSTRUCTION TAG, AC & DC	1.000 EA
WD1000B07	TERMINAL, BURNDY YAV10-T3	3.000 EA
09FN5001A03	STD FAN ASS'Y W/09FN3001A03	1.000 EA
LC0006	CONNECTION LABEL	1.000 EA
LB1119	WARNING LABEL	1.000 EA
LB1125C02	SUPER-E (STOCK CTN LABEL SUPER-E WITH FL	4.000 EA
NP1404E	SS UL CSA CC "AUTOMOTIVE"	1.000 EA
12PA1000	PACKAGING GROUP COMBINED PRINT PK1024A06	1.000 EA

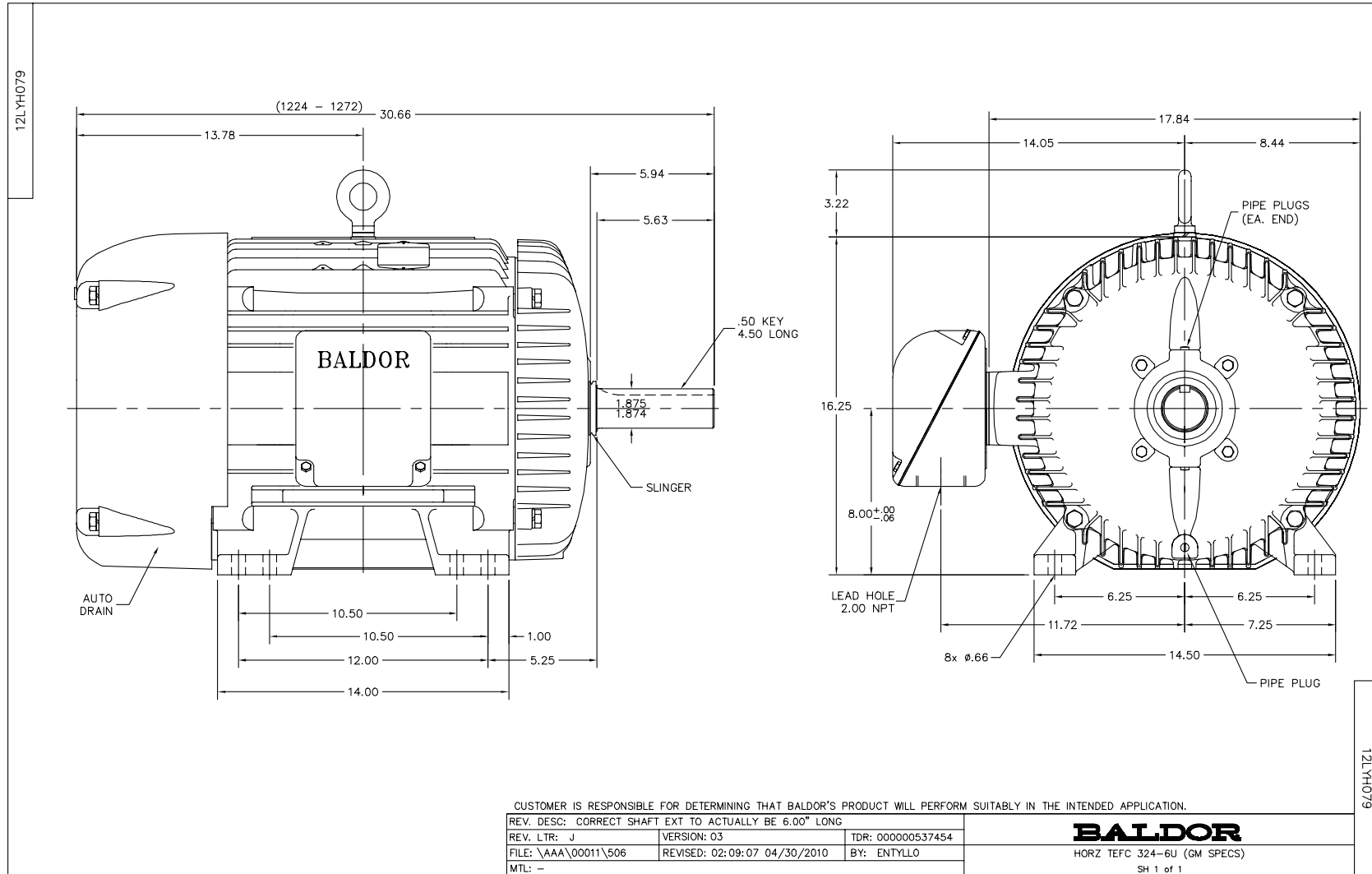
Accessories		
Part Number	Description	Multiplier
12-1105	C FACE KIT	A8

**Performance Data at 460V, 60Hz, 25.0HP (Typical performance - Not guaranteed values)**

General Characteristics							
Full Load Torque:	74.0 LB-FT			Start Configuration:	DOL		
No-Load Current:	9.5 Amps			Break-Down Torque:	195.0 LB-FT		
Line-line Res. @ 25°C.:	0.276 Ohms A Ph / 0.0 Ohms B Ph			Pull-Up Torque:	84.0 LB-FT		
Temp. Rise @ Rated Load:	41 C			Locked-Rotor Torque:	119.0 LB-FT		
Temp. Rise @ S.F. Load:				Starting Current:	172.0 Amps		
Load Characteristics							
% of Rated Load	25	50	75	100	125	150	S.F.
Power Factor:	57.0	77.0	84.0	87.0	88.0	88.0	0.0
Efficiency:	83.8	90.1	92.0	92.6	92.6	92.2	0.0
Speed:	1794.0	1789.0	1784.0	1778.0	1772.0	1764.0	0.0
Line Amperes:	12.5	17.1	22.8	29.4	35.8	43.1	0.0

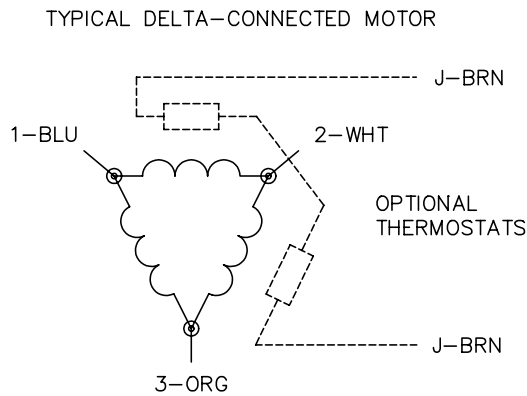
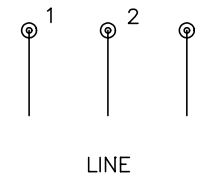
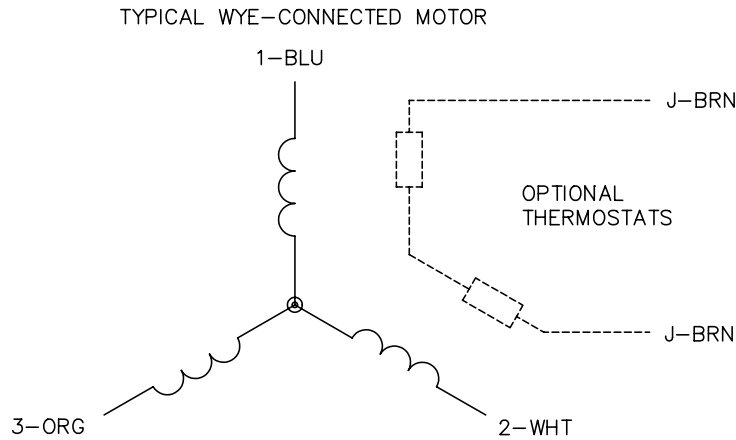
Performance Graph at 460V, 60Hz, 25.0HP Typical performance - Not guaranteed values







CD0006



NOTES:

1. THREE LEAD MOTOR MAY BE EITHER WYE CONNECTED OR DELTA CONNECTED.
2. INTERCHANGE ANY TWO LINE LEADS TO REVERSE ROTATION.
3. OPTIONAL THERMOSTATS ARE PROVIDED WHEN SPECIFIED.
4. ACTUAL NUMBER OF INTERNAL PARALLEL CIRCUITS MAY VARY.
5. LEAD COLORS ARE OPTIONAL. LEADS MUST BE NUMBERED AS SHOWN.

REV. DESC: REVISE TO SHOW OPTIONAL COLORS			
REV. LTR: D	BY: JLP	REVISED: 01/21/99 4:02	TDR: 0171435
9000D		FILE: AAA00005141	MDL: -
		MTL: -	

**BALDOR ELECTRIC Co.**

3PH, SV, 3 LEADS, WYE OR DELTA CONNECTED

CD0006