

BALDOR® • RELIANCE

Product Information Packet

AFL3521A

1HP,3450RPM,1PH,60HZ,56,3524L,TEAO,F1

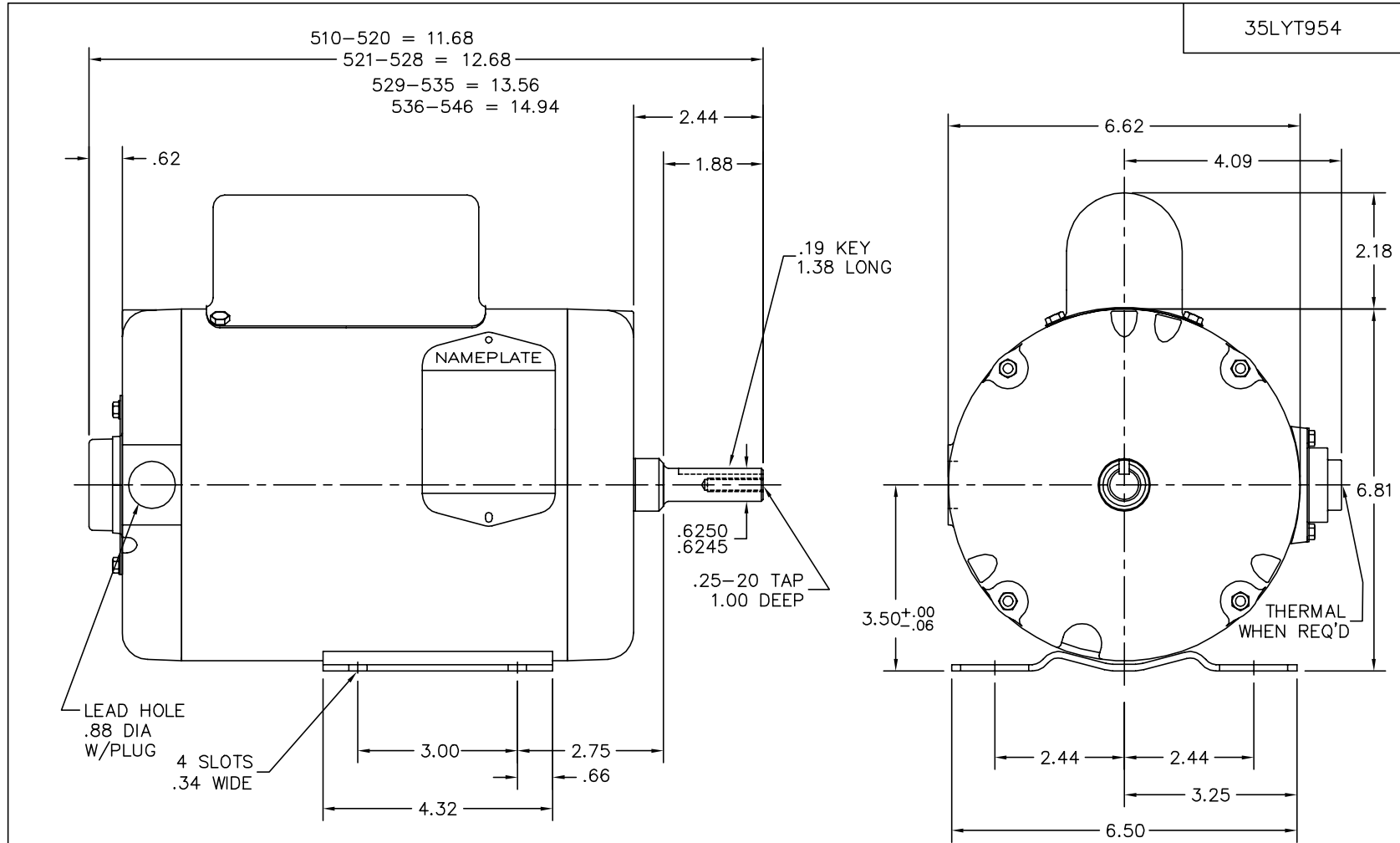
Copyright © All product information within this document is subject to Baldor Electric Company copyright © protection, unless otherwise noted.

Part Detail									
Revision:	AA	Status:	PRD/A	Change #:		Proprietary:	No		
Type:	AC	Prod. Type:	3524L	Elec. Spec:	35WG0498	CD Diagram:			
Enclosure:	TEAO	Mfg Plant:		Mech. Spec:	35T954	Layout:			
Frame:	56	Mounting:	F1	Poles:	02	Created Date:	06-22-2007		
Base:	RG	Rotation:	RS	Insulation:	B	Eff. Date:	08-10-2012		
Leads:	4#16 A&J,2#18 B PH,1#	Literature:		Elec. Diagram:		Replaced By:			
Nameplate NP1280L									
CAT.NO.	AFL3521A								
SPEC.	35T954-0498								
HP	1								
VOLTS	115/230								
AMP	12/6								
RPM	3450								
FRAME	56	HZ			60	PH	1		
SER.F.	1.25	CODE			K	DES	N	CL	B
NEMA-NOM-EFF	66	PF			81				
RATING	40C AMB-CONT								
CC				USABLE AT 208V					
DE	6205	ODE			6203				
ENCL	TEAO	SN							
	SFA 14.4/7.2								

Parts List		
Part Number	Description	Quantity
SA111039	SA 35T954-0498	1.000 EA
RA102418	RA 35T954-0498	1.000 EA
EC1645A06SP	ELEC CAP, 645-774 MFD, 125V, 2.06D X 4.	1.000 EA
TP5059	GENERIC THERMAL KIT	1.000 EA
53XT0832G07	8-32X7/16 PN STD SR TY23G X	1.000 EA
51XW0832A07	8-32 X .44, TAPTITE II, HEX WSHR SLTD SE	2.000 EA
35EP3102A01SP	FR ENDPLATE, MACH	1.000 EA
NS2501A01	INSULATOR, CAPACITOR	1.000 EA
51XB1016A05	10-16X5/16HX WA SL SR TYB (F/S)	2.000 EA
HW5100A03SP	WAVY WASHER (W1543-017)	1.000 EA
35EP3101A02SP	STD PU ENDPLATE-ENCL-205 BRG LESS GREASE	1.000 EA
XY1032A02	10-32 HEX NUT DIRECTIONAL SERRATION	4.000 EA
WD4100A01	DP-875 HEYCO PLUG OR 62MP0875 MICRO PLAS	1.000 EA
35CB4500SP	TERMINAL BOX LID STAMPED	1.000 EA
35GS1002	GASKET,1/16 THICK LEXIDE	1.000 EA
51XW0832A07	8-32 X .44, TAPTITE II, HEX WSHR SLTD SE	2.000 EA
HW2501D13SP	KEY, 3/16 SQ X 1.375	1.000 EA
HA7000A04	KEY RETAINER 0.625 DIA SHAFTS	1.000 EA
85XU0407S04	4X1/4 U DRIVE PIN STAINLESS	2.000 EA
RM1001A01	GROMMET (MIDSTATES#541000)	1.000 EA
WD1000A15	3-520132-2 AMP FLAG (4M/RL NON-CANC/NON-	2.000 EA
MJ1000A75	GREASE, POLYREX EM EXXON	0.050 LB
MG1025Z20	ACTIVATOR WILKOFAS 060.32	0.010 GA
MG1025C02	PAINT, 787.105 LITE TAN EPOXY (USE W/MG1	0.017 GA

Parts List (continued)		
Part Number	Description	Quantity
SP5066A01	MODEL 35 TERMINAL PANEL SWITCH WITH LEAD	1.000 EA
35CB4802A02SP	CAPACITOR COVER, STAMPED X W/AUTOPHORET	1.000 EA
35GS3001A02	GASKET, CA.COVER, 5.38 LONG .06 CS301	1.000 EA
HA3100A18	THRUBOLT 10-32 X 9.250	4.000 EA
LB1118	LABEL,WARNING (ROLL LABEL)	1.000 EA
LB1125C01	STD (STOCK) CARTON LABEL BALDOR WITH FLA	1.000 EA
LC0052	CONNECTION LABEL	1.000 EA
NP1280L	ALUM FARM DUTY UL CSA CC THERMAL	1.000 EA
35PA1067	PACK GROUP COMBINED PRINT WITH OSB BASE	1.000 EA

Accessories		
Part Number	Description	Multiplier
35-8762	C FACE KIT	A8
35EP1506A01SP	D-FLANGE KIT	A8



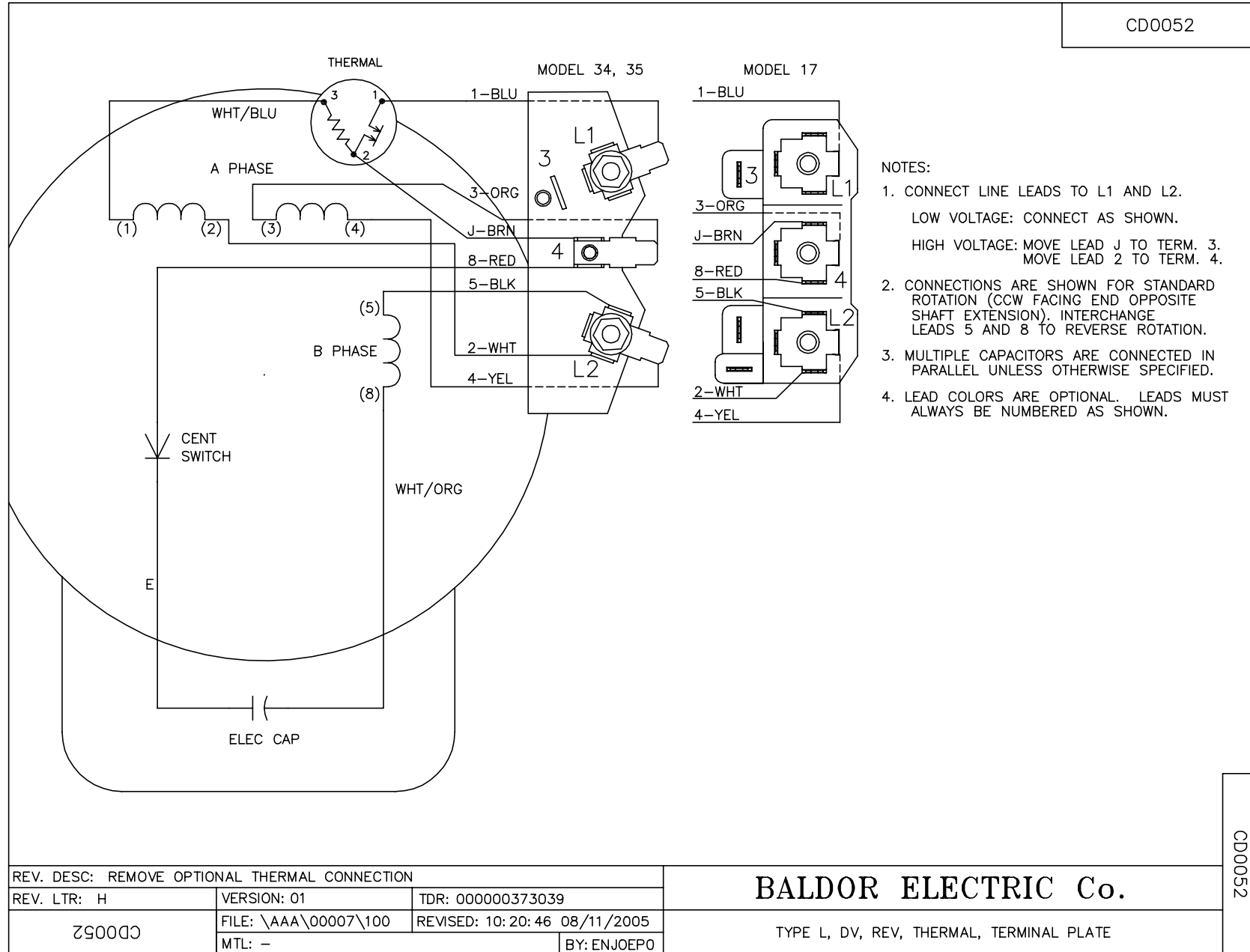
AERATION FAN MOTOR

CUSTOMER IS RESPONSIBLE FOR DETERMINING THAT MOTOR PERFORMANCE IS SUITABLE IN THE APPLICATION.

REV. DESC: ADDED THERMAL GRAPHICS			BALDOR ELECTRIC Co.
REV. LTR: A	VERSION: 01	TDR: 000000414007	
35LYT954	FILE: \AAA\00111\278	REVISED: 16:44:09 11/08/2006	HORZ 56 TEAO 35L TERM PANEL W/ .25-20 TAP IN SHAFT (2 POLE)
	MTL: -	BY: ENBRAMO	

35LYT954

CD0052



CD0052

REV. DESC: REMOVE OPTIONAL THERMAL CONNECTION		
REV. LTR: H	VERSION: 01	TDR: 000000373039
Z90052	FILE: \AAA\00007\100	REVISED: 10:20:46 08/11/2005
	MTL: -	BY: ENJOEPO

BALDOR ELECTRIC Co.

TYPE L, DV, REV, THERMAL, TERMINAL PLATE