

BALDOR® • RELIANCE

Product Information Packet

AFM3528

.75HP,3450RPM,3PH,60HZ,56Z,3413M,TEAO,F1

Copyright © All product information within this document is subject to Baldor Electric Company copyright © protection, unless otherwise noted.

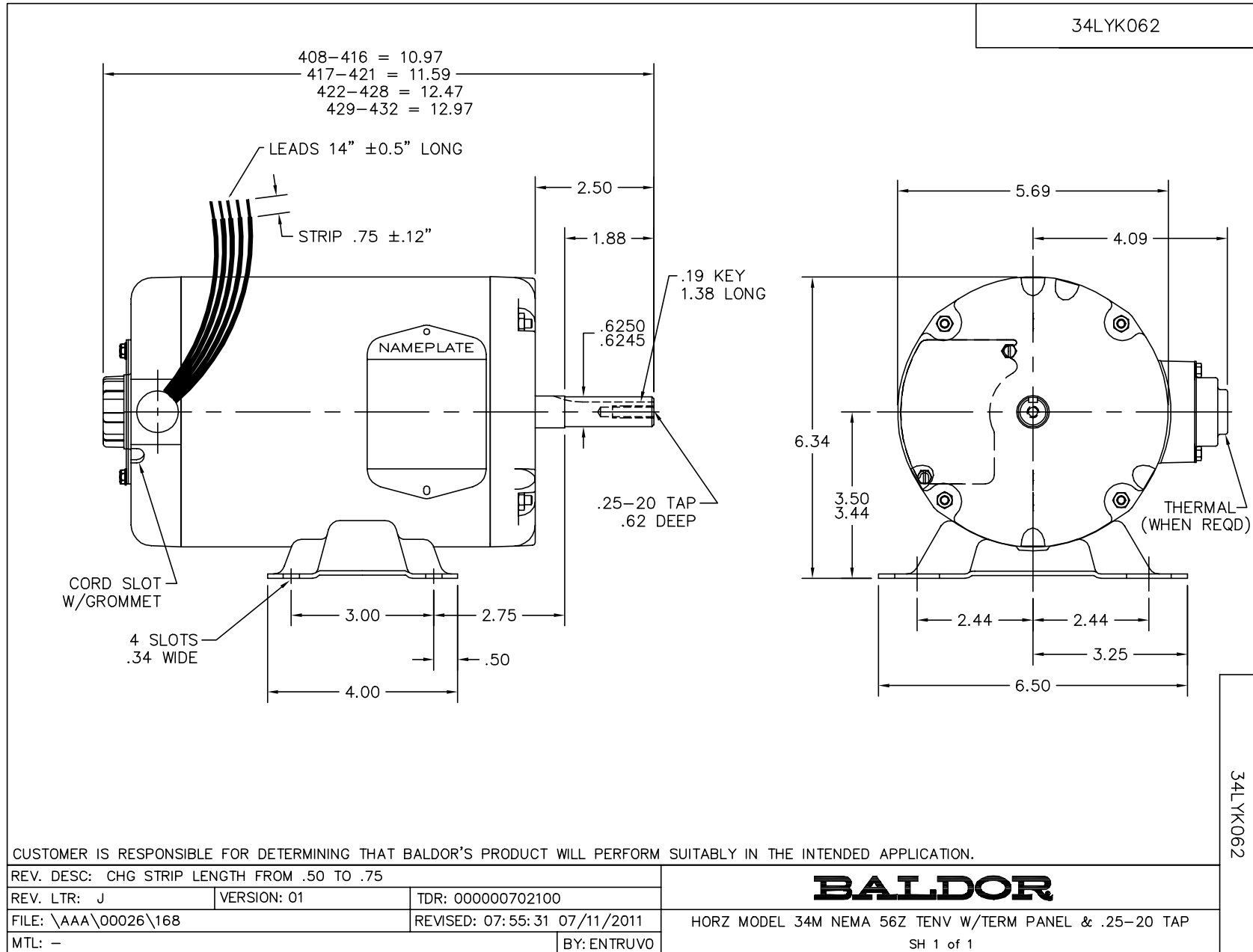
Part Detail							
Revision:	AG	Status:	PRD/A	Change #:		Proprietary:	No
Type:	AC	Prod. Type:	3413M	Elec. Spec:	34WG0255	CD Diagram:	
Enclosure:	TEAO	Mfg Plant:		Mech. Spec:	34K062	Layout:	
Frame:	56Z	Mounting:	F1	Poles:	02	Created Date:	
Base:	RG	Rotation:	R	Insulation:	B	Eff. Date:	01-16-2012
Leads:	9#18 14" LG +/-5"	Literature:	Y	Elec. Diagram:		Replaced By:	

Nameplate NP1279L							
CAT.NO.	AFM3528						
SPEC.	34K62-255						
HP	.75						
VOLTS	230/460						
AMP	2.6/1.3						
RPM	3450						
FRAME	56Z	HZ	60	PH	3		
SER.F.	1.25	CODE	K	DES	B	CL	B
NEMA-NOM-EFF	74	PF	73				
RATING	40C AMB-CONT						
CC	USABLE AT 208V			3.1			
DE	6203	ODE	6203				
ENCL	TEAO	SN					
	SFA 3/1.5						

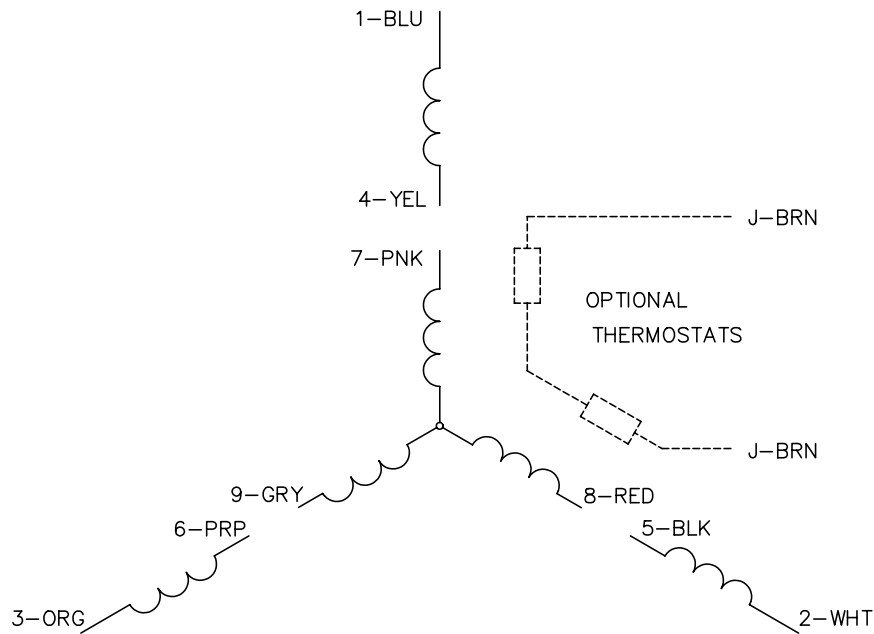
Parts List		
Part Number	Description	Quantity
SA008208	SA 34K62-255	1.000 EA
RA004655	RA 34K62-255	1.000 EA
34EP3204A01SP	FR ENDPLATE, MACH	1.000 EA
11XT0832G06	8-32 X 3/8 TY 23 TAPPING	1.000 EA
SP1000A01	TERM BOARD, MODEL 34 SW	1.000 EA
51XW0832A07	8-32 X .44, TAPTITE II, HEX WSHR SLTD SE	3.000 EA
ML1400DF18	18 AWG,BLANK,GREEN w/YELLOW STRIPE	16.000 IN
WD1000D88	TERMINAL,INS RING,#10 STUD SIZE,22-18 GA	1.000 EA
RM1001A01	GROMMET (MIDSTATES#541000)	1.000 EA
HW5100A03SP	WAVY WASHER (W1543-017)	1.000 EA
34EP3102A02SP	FR/PU ENDPLATE, MACH	1.000 EA
XY1032A02	10-32 HEX NUT DIRECTIONAL SERRATION	4.000 EA
34CB4501SP	TERMINAL BOX LID, STAMPED X (PLATED)	1.000 EA
34GS1005	GASKET, TERM PLATE LID	1.000 EA
51XW0832A07	8-32 X .44, TAPTITE II, HEX WSHR SLTD SE	2.000 EA
HW2501D13SP	KEY, 3/16 SQ X 1.375	1.000 EA
HA7000A04	KEY RETAINER 0.625 DIA SHAFTS	1.000 EA
MG1025C02	PAINT, 787.105 LITE TAN EPOXY (USE W/MG1	0.014 GA
10XF0440S02	04-40 X 1/8 TYPE F HEX HD STAINLESS STIC	2.000 EA
HA3100A12	THRUBOLT 10-32 X 7.375	4.000 EA
LB1119	WARNING LABEL	1.000 EA
LB1125C01	STD (STOCK) CARTON LABEL BALDOR WITH FLA	1.000 EA
LC0145B01	CONNECTION LABEL	1.000 EA
NP1279L	ALUM FARM DUTY UL CSA CC	1.000 EA

Parts List (continued)		
Part Number	Description	Quantity
34PA1002	PACKING GROUP, BALDOR	1.000 EA

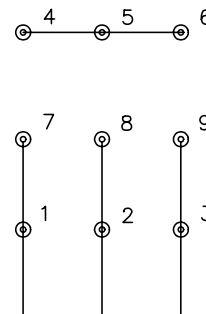
Accessories		
Part Number	Description	Multiplier
34-171	C FACE KIT	A8



CD0005

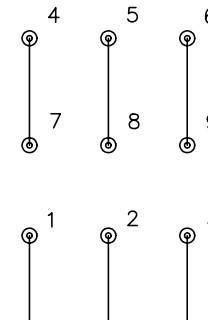


LOW VOLTAGE
(2Y)



LINE

HIGH VOLTAGE
(1Y)



LINE

NOTES:

1. INTERCHANGE ANY TWO LINE LEADS TO REVERSE ROTATION.
2. OPTIONAL THERMOSTATS ARE PROVIDED WHEN SPECIFIED.
3. ACTUAL NUMBER OF INTERNAL PARALLEL CIRCUITS MAY BE A MULTIPLE OF THOSE SHOWN ABOVE.
4. LEAD COLORS ARE OPTIONAL. LEADS MUST ALWAYS BE NUMBERED AS SHOWN.

REV. DESC: REVISE TO SHOW OPTIONAL COLORS			
REV. LTR: E	BY: JLP	REVISED: 01/19/99 10:15	TDR: 0171435
90000		FILE: AAA00005140	MDL: -
		MTL: -	

BALDOR ELECTRIC Co.

3PH, DV, 9 LEADS

CD0005