

# **BALDOR® • RELIANCE**

## **Product Information Packet**

# **AFM3530**

**1.5HP,3450RPM,3PH,60HZ,143TZ,3424M,TEAO**

Copyright © All product information within this document is subject to Baldor Electric Company copyright © protection, unless otherwise noted.

Part Detail									
Revision:	E	Status:	PRD/A	Change #:		Proprietary:	No		
Type:	AC	Prod. Type:	3424M	Elec. Spec:	34WG0283	CD Diagram:			
Enclosure:	TEAO	Mfg Plant:		Mech. Spec:	34K954	Layout:			
Frame:	143TZ	Mounting:	F1	Poles:	02	Created Date:	10-18-2007		
Base:	RG	Rotation:	R	Insulation:	B	Eff. Date:	03-30-2011		
Leads:	9#18 14" minimum	Literature:	Y	Elec. Diagram:		Replaced By:			
Nameplate NP1279L									
CAT.NO.	AFM3530								
SPEC.	34K954-0283G1								
HP	1.5								
VOLTS	208-230/460								
AMP	4.9-4.6/2.3								
RPM	3450								
FRAME	143TZ	HZ	60	PH	3				
SER.F.	1.15	CODE	L	DES	B	CL	B		
NEMA-NOM-EFF	80	PF	74						
RATING	40C AMB-CONT								
CC					USABLE AT 208V	4.9			
DE	6205	ODE	6203						
ENCL	TEAO	SN							

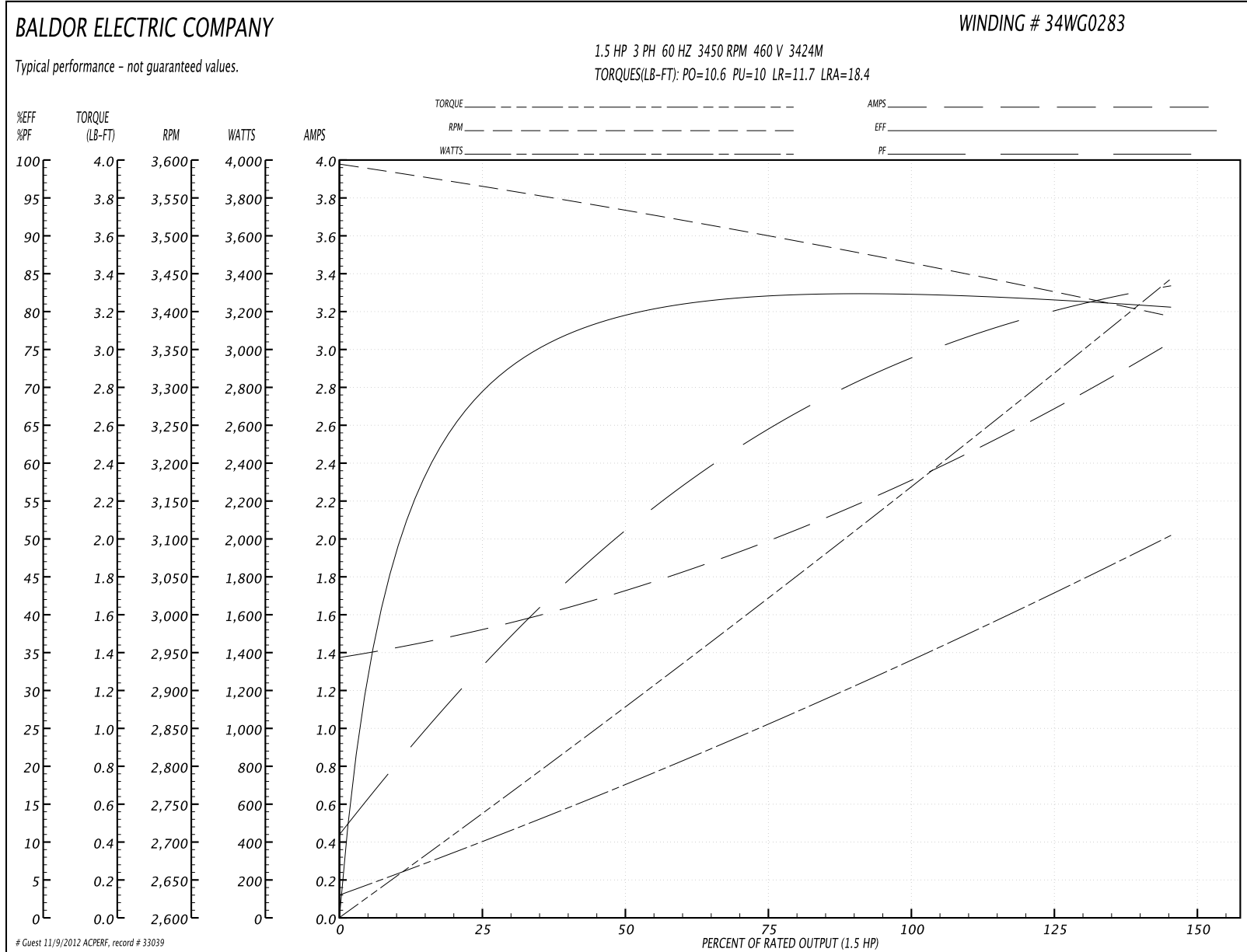
Parts List		
Part Number	Description	Quantity
SA166388	SA 34K954-0283G1	1.000 EA
RA154766	RA 34K954-0283G1	1.000 EA
11XT0832G06	8-32 X 3/8 TY 23 TAPPING	1.000 EA
SP1000A01	TERM BOARD, MODEL 34 SW	1.000 EA
51XW0832A07	8-32 X .44, TAPTITE II, HEX WSHR SLTD SE	3.000 EA
MG1025C02	PAINT, 787.105 LITE TAN EPOXY (USE W/MG1	0.014 GA
RM1001A01	GROMMET (MIDSTATES#541000)	1.000 EA
34EP3204C01	SPL. FR. ENDPLATE 34L ENCL.	1.000 EA
HW5100A03SP	WAVY WASHER (W1543-017)	1.000 EA
34EP3904T01	PU ENDPLATE, MACH	1.000 EA
XY1032A02	10-32 HEX NUT DIRECTIONAL SERRATION	4.000 EA
HW2501D13SP	KEY, 3/16 SQ X 1.375	1.000 EA
HA7000A01	KEY RETAINER 7/8" DIA SHAFT	1.000 EA
34CB4501SP	TERMINAL BOX LID, STAMPED X (PLATED)	1.000 EA
34GS1005	GASKET, TERM PLATE LID	1.000 EA
51XW0832A07	8-32 X .44, TAPTITE II, HEX WSHR SLTD SE	2.000 EA
10XF0440S02	04-40 X 1/8 TYPE F HEX HD STAINLESS STIC	2.000 EA
HA3100A45	THRUBOLT 10-32 X 8.875	4.000 EA
LB5040	INSTRUCTION TAG, AC & DC	1.000 EA
LB1125C01	STD (STOCK) CARTON LABEL BALDOR WITH FLA	1.000 EA
LC0005E01	CONN.DIA./WARNING LABEL (LC0005/LB1119)	1.000 EA
NP1279L	ALUM FARM DUTY UL CSA CC	1.000 EA
34PA1005	PACKING GROUP, BALDOR	1.000 EA

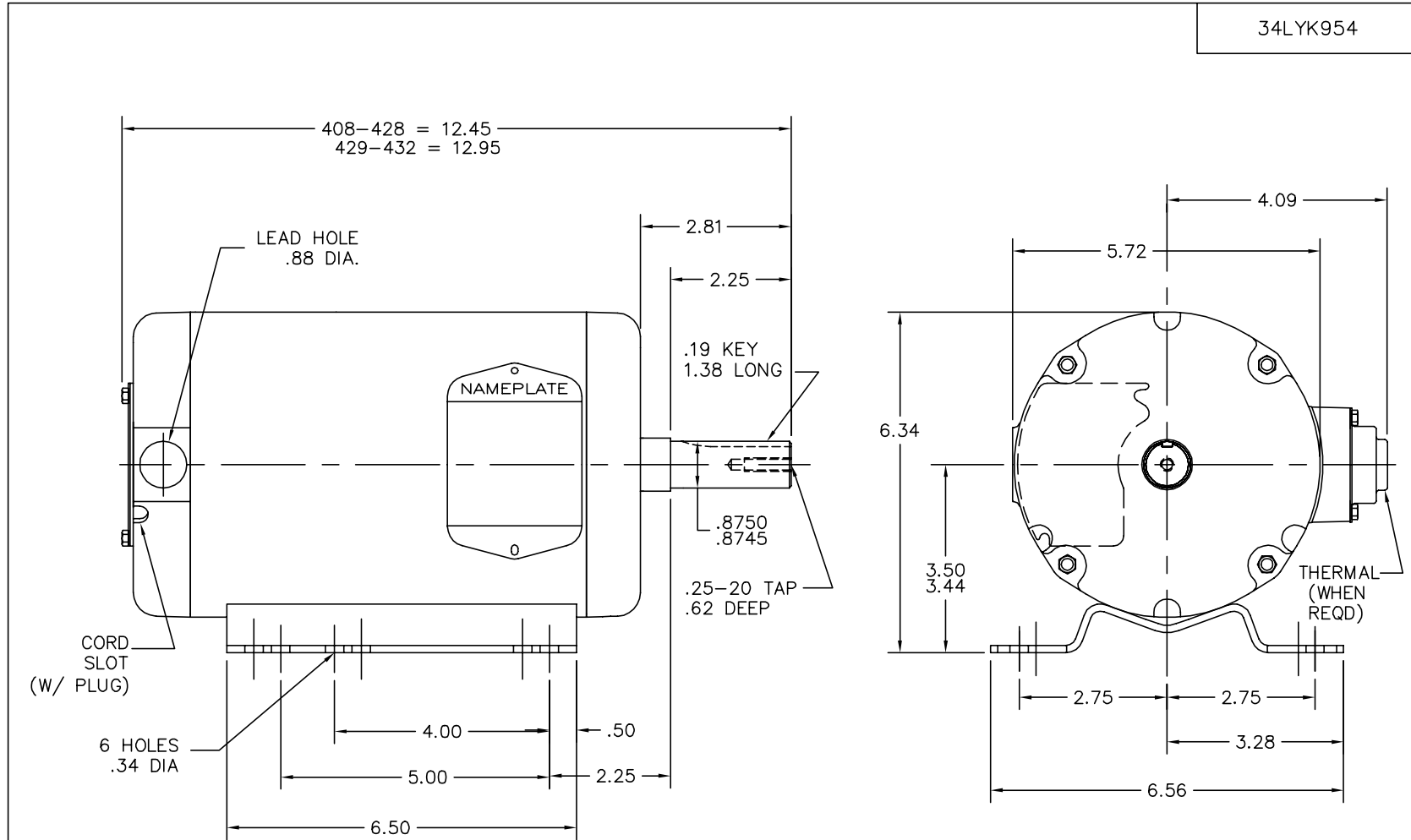
Accessories		
Part Number	Description	Multiplier
35-8762	C FACE KIT	A8
35EP1604A01SP	D-FLANGE KIT	A8

**Performance Data at 460V, 60Hz, 1.5HP (Typical performance - Not guaranteed values)**

General Characteristics							
Full Load Torque:	2.25 LB-FT			Start Configuration:	DOL		
No-Load Current:	1.4 Amps			Break-Down Torque:	10.6 LB-FT		
Line-line Res. @ 25°C.:	8.53 Ohms A Ph / 0.0 Ohms B Ph			Pull-Up Torque:	10.0 LB-FT		
Temp. Rise @ Rated Load:	71 C			Locked-Rotor Torque:	11.7 LB-FT		
Temp. Rise @ S.F. Load:	83 C			Starting Current:	18.4 Amps		
Load Characteristics							
% of Rated Load	25	50	75	100	125	150	S.F.
Power Factor:	39.0	57.0	68.0	76.0	81.0	84.0	79.0
Efficiency:	70.7	79.6	81.8	82.3	81.7	80.6	81.9
Speed:	3564.0	3533.0	3501.0	3466.0	3429.0	3394.0	3444.0
Line Amperes:	1.5	1.7	2.0	2.3	2.7	3.0	2.54

Performance Graph at 460V, 60Hz, 1.5HP Typical performance - Not guaranteed values





CUSTOMER IS RESPONSIBLE FOR DETERMINING THAT MOTOR PERFORMANCE IS SUITABLE IN THE APPLICATION.

REV. DESC: DEL "(W/PLUG)" FROM LEAD HOLE CALL OUT		
REV. LTR: A	VERSION: 01	TDR: 000000487429
34LYK954	FILE: \AAA\00151\772	REVISED: 12:13:34 01/13/2009
	MTL: -	BY: ENMARHO

**BALDOR • DODGE • RELIANCE**

HORZ MODEL 34M NEMA 143-5TZ TEAO W/ TERM. PANEL

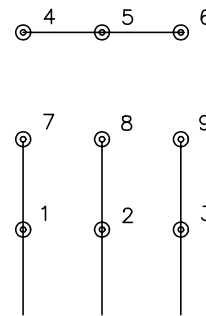
SH 1 of 1

34LYK954

CD0005

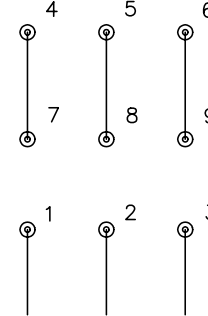


LOW VOLTAGE  
(2Y)



LINE

HIGH VOLTAGE  
(1Y)



LINE

NOTES:

1. INTERCHANGE ANY TWO LINE LEADS TO REVERSE ROTATION.
2. OPTIONAL THERMOSTATS ARE PROVIDED WHEN SPECIFIED.
3. ACTUAL NUMBER OF INTERNAL PARALLEL CIRCUITS MAY BE A MULTIPLE OF THOSE SHOWN ABOVE.
4. LEAD COLORS ARE OPTIONAL. LEADS MUST ALWAYS BE NUMBERED AS SHOWN.

REV. DESC: REVISE TO SHOW OPTIONAL COLORS

REV. LTR: E BY: JLP

REVISED: 01/19/99 10:15

TDR: 0171435

9000D

FILE: AAA00005140

MDL: -

MTL: -

**BALDOR ELECTRIC Co.**

3PH, DV, 9 LEADS

CD0005