

BALDOR® • *RELIANCE*

Product Information Packet

ANFL3501M

.33HP, 1725RPM, 1PH, 60HZ, 48YZ, 3414L, TEFC

Copyright © All product information within this document is subject to Baldor Electric Company copyright © protection, unless otherwise noted.

| Part Detail | | | | | | | | | |
|-------------------|--------------|-------------|-------|----------------|----------|---------------|------------|----|---|
| Revision: | X | Status: | PRD/A | Change #: | | Proprietary: | No | | |
| Type: | AC | Prod. Type: | 3414L | Elec. Spec: | 34WG5598 | CD Diagram: | | | |
| Enclosure: | TEFC | Mfg Plant: | | Mech. Spec: | 34H317 | Layout: | | | |
| Frame: | 48YZ | Mounting: | F1 | Poles: | 04 | Created Date: | | | |
| Base: | N | Rotation: | R | Insulation: | B | Eff. Date: | 05-18-2011 | | |
| Leads: | 7#18 | Literature: | | Elec. Diagram: | | Replaced By: | | | |
| Nameplate NP1257L | | | | | | | | | |
| CAT.NO. | ANFL3501M | | | | | | | | |
| SPEC. | 34H317-5598 | | | | | | | | |
| HP | .33 | | | | | | | | |
| VOLTS | 115/230 | | | | | | | | |
| AMP | 6/3 | | | | | | | | |
| RPM | 1725 | | | | | | | | |
| FRAME | 48YZ | HZ | | | 60 | PH | 1 | | |
| SER.F. | 1.35 | CODE | | | L | DES | N | CL | B |
| NEMA-NOM-EFF | 60 | PF | | | 60 | | | | |
| RATING | 40C AMB-CONT | | | | | | | | |
| CC | | | | USABLE AT 208V | 3.6 | | | | |
| DE | 6203 | ODE | | | 6203 | | | | |
| ENCL | TEFC | SN | | | | | | | |
| | SFA 6.8/3.4 | | | | | | | | |

| Parts List | | |
|---------------|--|----------|
| Part Number | Description | Quantity |
| SA010306 | SA 34H317-5598 | 1.000 EA |
| RA006698 | RA 34H317-5598 | 1.000 EA |
| TPMRG57BASP | THERMAL 1PH 0.75 MAN 105C | 1.000 EA |
| EC1189A02SP | 61B2D120189NNBA ELEC CAP, 189-227MFD, 12 | 1.000 EA |
| NS2512A01 | INSULATOR, CONDUIT BOX X | 1.000 EA |
| 34GS1013SP | GASKET, CONDUIT BOX LEXIDE | 1.000 EA |
| 51XB1016A07 | 10-16 X 7/16 HXWSSLD SERTYB | 2.000 EA |
| 11XW1032G06 | 10-32 X .38, TAPTITE II, HEX WSHR SLTD U | 1.000 EA |
| HW3001B01 | 003SS CUP WASHER, FOR #8 SCREW | 1.000 EA |
| RM1014A01SP | BUTYL RUB.THRM COV. (MENA) | 1.000 EA |
| HA6001A01 | THERMAL RETAINER (PLATED) | 1.000 EA |
| 51XB1214A10 | 12-14 X 5/8HX WS SL SR TYBX | 2.000 EA |
| 51XW0832A07 | 8-32 X .44, TAPTITE II, HEX WSHR SLTD SE | 2.000 EA |
| 34EP3102A01SP | FR ENDPLATE, MACH | 1.000 EA |
| NS2500A01 | INSULATOR, AUTO THER PROT | 1.000 EA |
| 34CB4800SP | CAPACITOR COVER, STAMPED | 1.000 EA |
| 34GS3000SP | GASKET, CAPACITOR BOX | 1.000 EA |
| 51XB1016A05 | 10-16X5/16HX WA SL SR TYB (F/S) | 2.000 EA |
| HW5100A03SP | WAVY WASHER (W1543-017) | 1.000 EA |
| 34EP3500A01 | ENDPLATE, MACH | 1.000 EA |
| XY1032A02 | 10-32 HEX NUT DIRECTIONAL SERRATION | 4.000 EA |
| 34FN3002A01SP | EXTERNAL FAN, PLASTIC, .637/.639 HUB W/ | 1.000 EA |
| 34FH4002A03SP | IEC FH NO GREASER W/.88 DIA SHAFT HOLE | 1.000 EA |
| 51XW1032A06 | 10-32 X .38, TAPTITE II, HEX WSHR SLTD S | 3.000 EA |

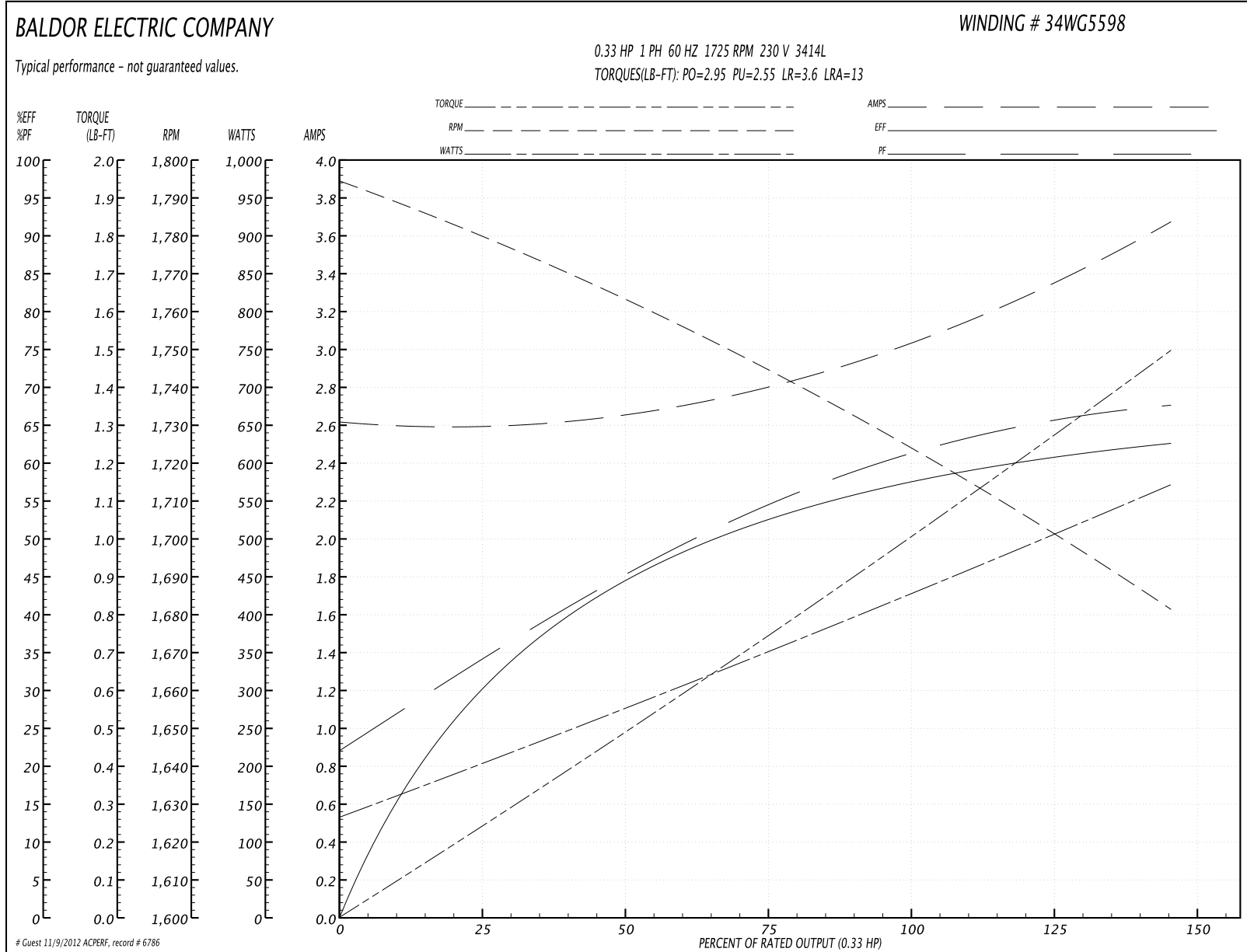
| Parts List (continued) | | |
|------------------------|--|----------|
| Part Number | Description | Quantity |
| 36CB4516 | 36 LIPPED CB LID | 1.000 EA |
| 37GS1001SP | GASKET, CONDUIT BOX LID, .06 THICK LEXID | 1.000 EA |
| 51XW0832A07 | 8-32 X .44, TAPTITE II, HEX WSHR SLTD SE | 4.000 EA |
| 34CB3001A39P | CONDUIT BOX, MACH/PAINT | 1.000 EA |
| MG1025C02 | PAINT, 787.105 LITE TAN EPOXY (USE W/MG1 | 0.014 GA |
| 10XF0440S02 | 04-40 X 1/8 TYPE F HEX HD STAINLESS STIC | 2.000 EA |
| SP5056A24 | MODEL 34 TYPE L STATIONARY SWITCH WITH L | 1.000 EA |
| HA3100A37 | THRUBOLT 10-32 X 8.500 | 4.000 EA |
| WD4006C05 | WIRENUT, G-B #13-003 ORGSIZE 73B,105C B | 1.000 EA |
| WD4006A01 | WIRE JOINT, RB-4 OR RB-44 | 1.000 EA |
| LB5040 | INSTRUCTION TAG, AC & DC | 1.000 EA |
| LB1119 | WARNING LABEL | 1.000 EA |
| LB1087 | LABEL,MANUAL RESET (ROLL LABEL) | 1.000 EA |
| LB1125C01 | STD (STOCK) CARTON LABEL BALDOR WITH FLA | 1.000 EA |
| LC0008 | 1PH,DV,7-LEAD,THERMAL,CONNECTION DIAGRAM | 1.000 EA |
| NP1257L | ALUM UL CSA CC THERMAL REV MTG | 1.000 EA |
| 34PA1005 | PACKING GROUP, BALDOR | 1.000 EA |
| PK3083T | STYROFOAM PACKING CRADLE W/TAPE | 1.000 EA |

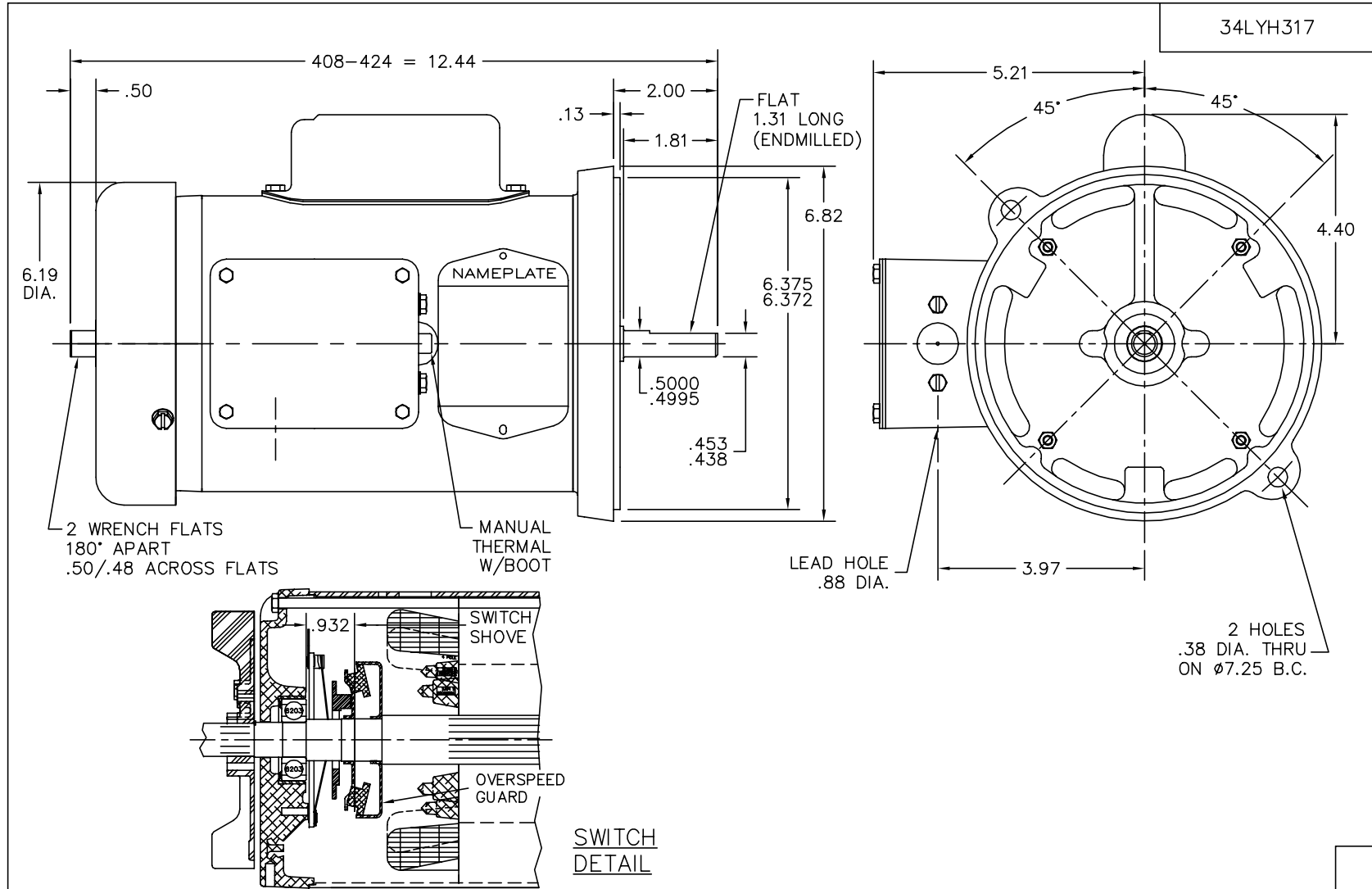
Performance Data at 230V, 60Hz, 0.33HP (Typical performance - Not guaranteed values)

| General Characteristics | | | |
|--------------------------|---------------------------------|----------------------|------------|
| Full Load Torque: | 1.0 LB-FT | Start Configuration: | DOL |
| No-Load Current: | 2.6 Amps | Break-Down Torque: | 2.95 LB-FT |
| Line-line Res. @ 25°C.: | 6.32 Ohms A Ph / 4.93 Ohms B Ph | Pull-Up Torque: | 2.55 LB-FT |
| Temp. Rise @ Rated Load: | 59 C | Locked-Rotor Torque: | 3.6 LB-FT |
| Temp. Rise @ S.F. Load: | 73 C | Starting Current: | 13.0 Amps |

| Load Characteristics | | | | | | | |
|----------------------|--------|--------|--------|--------|--------|--------|--------|
| % of Rated Load | 25 | 50 | 75 | 100 | 125 | 150 | S.F. |
| Power Factor: | 31.0 | 41.0 | 52.0 | 60.0 | 67.0 | 73.0 | 71.0 |
| Efficiency: | 33.0 | 41.0 | 52.0 | 60.0 | 61.5 | 61.5 | 61.5 |
| Speed: | 1780.0 | 1760.0 | 1745.0 | 1725.0 | 1705.0 | 1680.0 | 1690.0 |
| Line Amperes: | 2.6 | 2.7 | 2.8 | 3.0 | 3.3 | 3.7 | 3.4 |

Performance Graph at 230V, 60Hz, 0.33HP Typical performance - Not guaranteed values





34LYH317

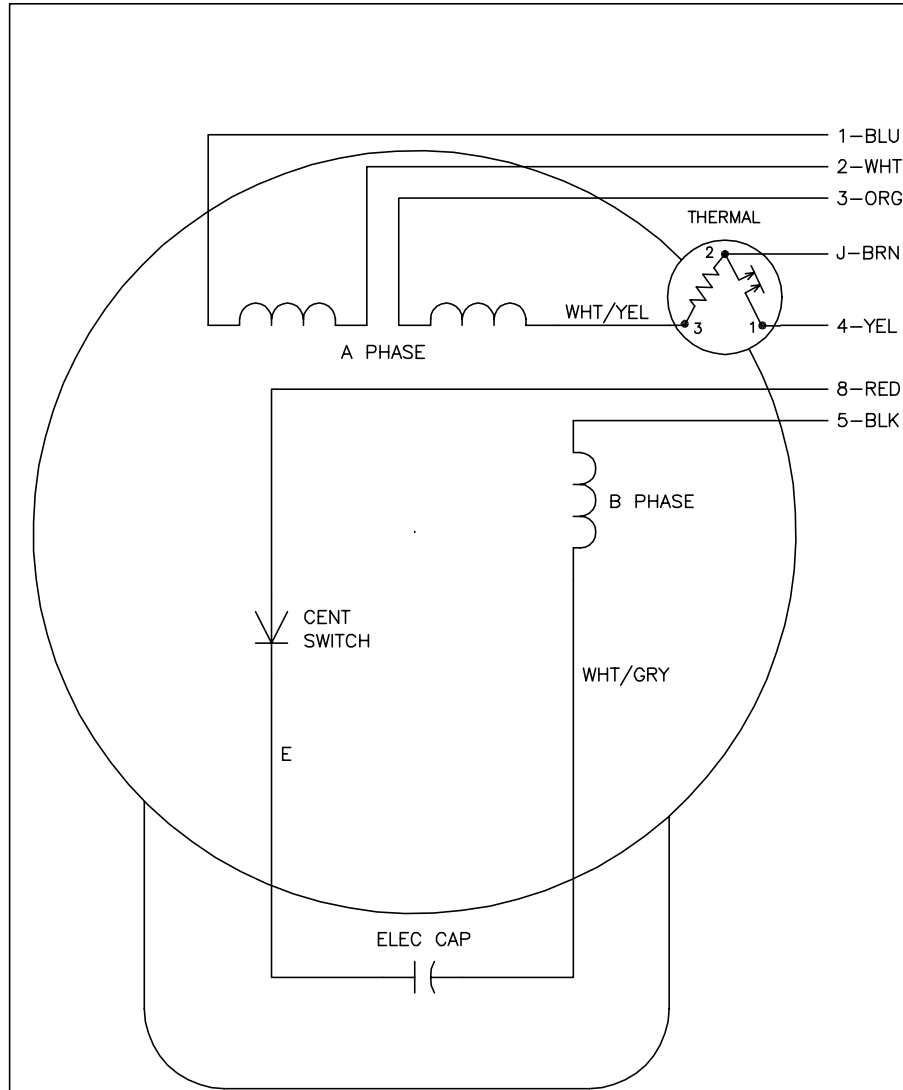
34LYH317

CUSTOMER IS RESPONSIBLE FOR DETERMINING THAT MOTOR PERFORMANCE IS SUITABLE IN THE APPLICATION.

| | | | |
|--|--------|------------------------------|-------------|
| REV. DESC: SH WAS 34SH5987,SB WAS 34SB1224,DEL "B" & "C" STK | | | |
| REV. LTR: C | BY: MH | REVISED: 14:38:00 09/23/2004 | TDR: 344120 |
| FILE: AAA00049720 | | REF: 34LYH317 | |
| MTL: - | | | |

| |
|--|
| BALDOR ELECTRIC Co. |
| VERT 34L 48YZ TEFC DBL SHAFT W/MTO IN KOBX & OVERSPEED GUARD |

CD0008



| | LINE A | LINE B | JOIN | JOIN |
|----------|--------|--------|-------|-------|
| HIGH STD | 1 | 4 | 2,3,8 | J,5 |
| HIGH OPP | 1 | 4 | 2,3,5 | J,8 |
| LOW STD | 1,3,8 | 4 | - | 2,J,5 |
| LOW OPP | 1,3,5 | 4 | - | 2,J,8 |

NOTES:

1. STANDARD ROTATION IS CCW FACING END OPPOSITE SHAFT EXTENSION.
2. MULTIPLE CAPACITORS ARE CONNECTED IN PARALLEL UNLESS OTHERWISE SPECIFIED.
3. LEAD COLORS ARE OPTIONAL. LEADS MUST ALWAYS BE NUMBERED AS SHOWN.

| | | |
|--|----------------------|------------------------------|
| REV. DESC: REMOVE 2-TERMINAL THERMAL DETAIL, SEE CD0008A02 | | |
| REV. LTR: F | VERSION: 01 | TDR: 000000360649 |
| 80000D | FILE: \AAA\00007\408 | REVISED: 10:56:54 04/18/2005 |
| | MTL: - | BY: ENJOEPO |

BALDOR ELECTRIC Co.

TYPE L, DV, REV, THERMAL, 7 LEADS

CD0008