

BALDOR® • *RELIANCE*

Product Information Packet

AOM3617T

1HP,860RPM,3PH,60HZ,182T,3624M,TEAO,F1,N

Copyright © All product information within this document is subject to Baldor Electric Company copyright © protection, unless otherwise noted.

Part Detail									
Revision:	-	Status:	PRD/A	Change #:		Proprietary:	No		
Type:	AC	Prod. Type:	3624M	Elec. Spec:	36WGS958	CD Diagram:			
Enclosure:	TEAO	Mfg Plant:		Mech. Spec:	36G256	Layout:			
Frame:	182T	Mounting:	F1	Poles:	08	Created Date:	07-13-2012		
Base:	RG	Rotation:	R	Insulation:	B	Eff. Date:	07-19-2012		
Leads:	9#16 36" LONG	Literature:	Y	Elec. Diagram:		Replaced By:			
Nameplate NP1256L									
CAT.NO.	AOM3617T								
SPEC.	36G256S958H1								
HP	1								
VOLTS	208-230/460								
AMP	4.3-4.6/2.3								
RPM	860								
FRAME	182T	HZ	60	PH	3				
SER.F.	1.00	CODE	K	DES	B	CLASS	B		
NEMA-NOM-EFF	74	PF	53						
RATING	40C AMB-CONT								
CC				USABLE AT 208V					
DE	6206	ODE	6205						
ENCL	TEAO	SN							
	825 FPM AT 100 CFM								

Parts List		
Part Number	Description	Quantity
SA247715	SA 36G256S958H1	1.000 EA
RA234583	RA 36G256S958H1	1.000 EA
S/P101-000-000	EPACT PROCEDURES-FS PLANT-POLYREX EM, NO	1.000 EA
36CB3004	36 CB CASTING W/1.09 DIA LEAD HOLE @ 6:0	1.000 EA
36GS1000SP	GASKET-CONDUIT BOX, .06 THICK #SV-330 LE	1.000 EA
51XB1016A08	10-16X 1/2HXWSSLD SERTYB	2.000 EA
11XW1032G06	10-32 X .38, TAPTITE II, HEX WSHR SLTD U	1.000 EA
HW3001B01	003SS CUP WASHER, FOR #8 SCREW	1.000 EA
36EP3101A02	FR ENDPLATE, MACH -TENV- W/GREASER, 205	1.000 EA
HW4500A01	1641B(ALEMITE)400 UNIV, GREASE FITT	1.000 EA
HW5100A05	WVY WSHR F/205 & 304 BRGS	1.000 EA
36EP3100A15	ENDPLATE, MACH	1.000 EA
HW4500A01	1641B(ALEMITE)400 UNIV, GREASE FITT	1.000 EA
10XN2520A20	1/4-20X 1 1/4 HEX HD X	2.000 EA
HW1001A25	LOCKWASHER 1/4, ZINC PLT .493 OD, .255 I	2.000 EA
XY2520A12	1/4-20 HEX NUT, DIRECTIONAL SERRATIONS	4.000 EA
36CB4516	36 LIPPED CB LID	1.000 EA
37GS1001SP	GASKET, CONDUIT BOX LID, .06 THICK LEXID	1.000 EA
51XW0832A07	8-32 X .44, TAPTITE II, HEX WSHR SLTD SE	4.000 EA
HW2501E16	3KEY, 1/4 SQ X 1.750	1.000 EA
HA7000A02	KEY RETAINER RING, 1 1/8 DIA, 1 3/8 DIA	1.000 EA
85XU0407S04	4X1/4 U DRIVE PIN STAINLESS	2.000 EA
MJ1000A75	GREASE, POLYREX EM EXXON	0.050 LB
MG1000G27	PAINT- S9282E CHARCOAL GREY	0.022 GA

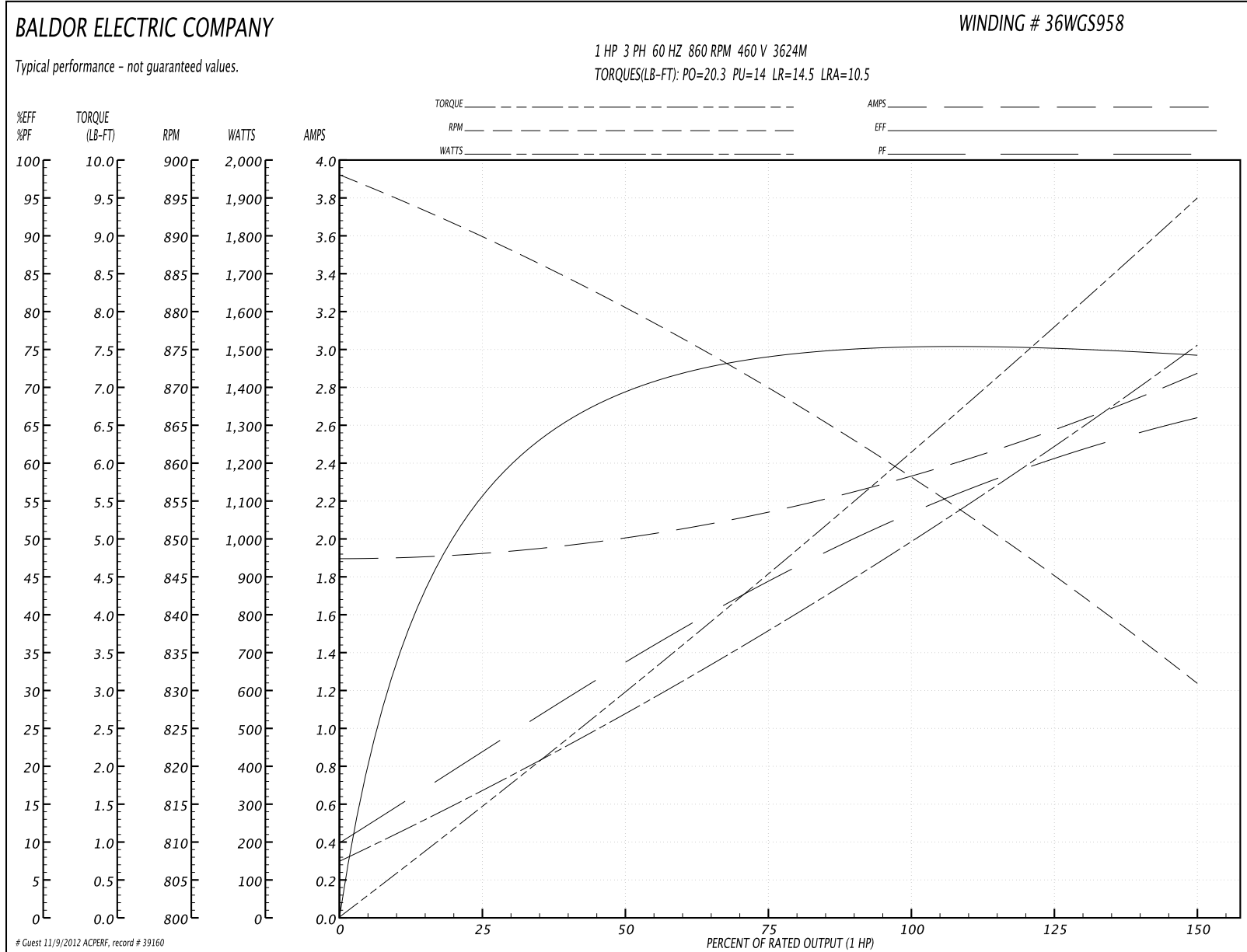
Parts List (continued)		
Part Number	Description	Quantity
HA3101A25	THRUBOLT 1/4-20 X 11.000 OHIO ROD	4.000 EA
LB1125C04	STD-E (STOCK CTN LABEL STD-E WITH FLAG)	1.000 EA
LC0005E01	CONN.DIA./WARNING LABEL (LC0005/LB1119)	1.000 EA
NP1256L	ALUM UL CSA CC	1.000 EA
36PA1000	PACK GROUP W/LB5001	1.000 EA

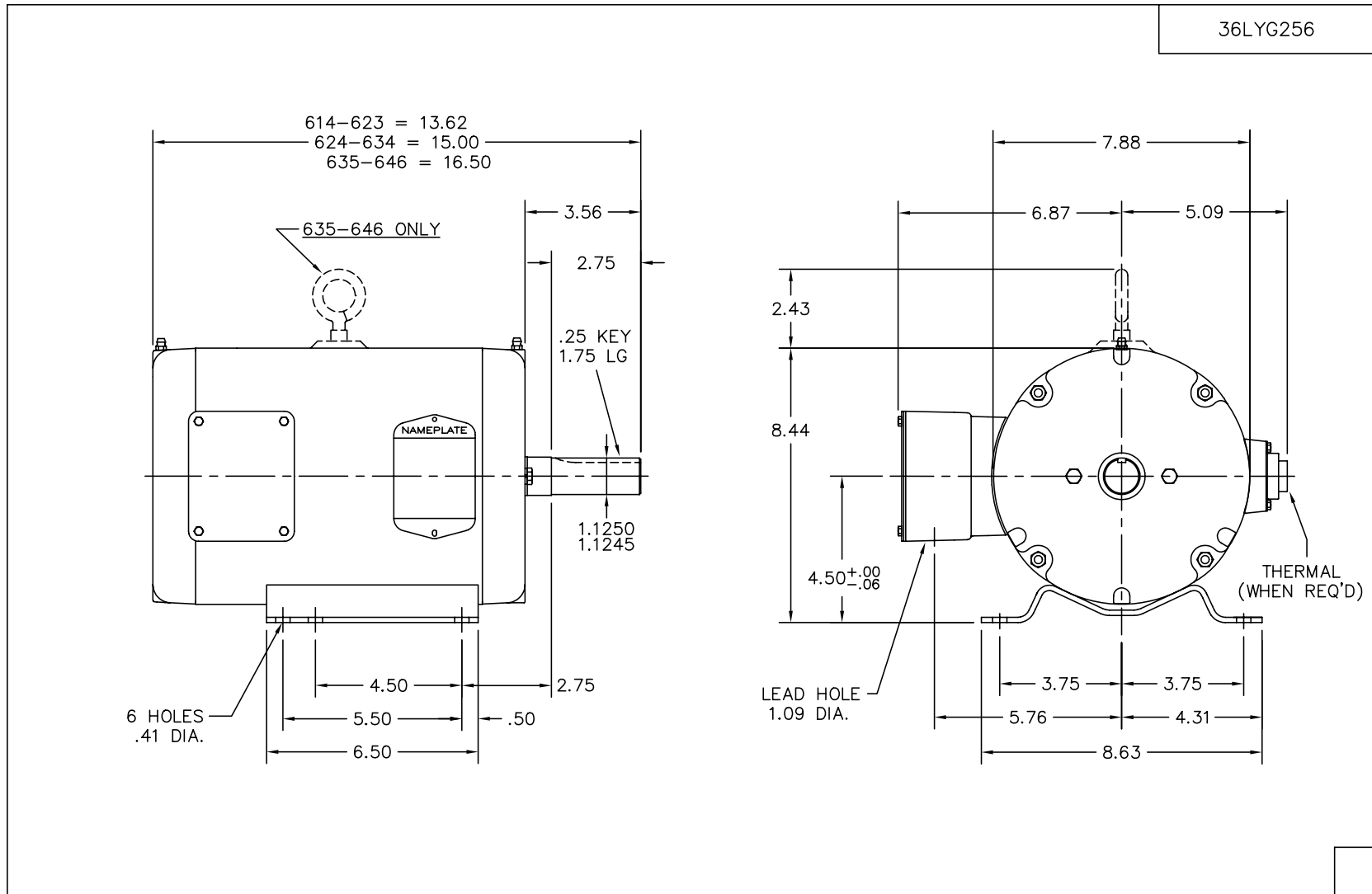
Accessories		
Part Number	Description	Multiplier
36-3301	C FACE KIT	A8
36EP1304A62SP	FLANGE MTD ENDPLATE 182-4TD -ENCL (LESS	A8

Performance Data at 460V, 60Hz, 1.0HP (Typical performance - Not guaranteed values)

General Characteristics							
Full Load Torque:	6.09 LB-FT			Start Configuration:	DOL		
No-Load Current:	1.9 Amps			Break-Down Torque:	20.3 LB-FT		
Line-line Res. @ 25°C.:	15.284 Ohms A Ph / 0.0 Ohms B Ph			Pull-Up Torque:	14.0 LB-FT		
Temp. Rise @ Rated Load:				Locked-Rotor Torque:	14.5 LB-FT		
Temp. Rise @ S.F. Load:				Starting Current:	10.5 Amps		
Load Characteristics							
% of Rated Load	25	50	75	100	125	150	S.F.
Power Factor:	22.0	34.0	44.0	53.0	60.0	66.0	0.0
Efficiency:	55.7	68.9	74.0	75.5	75.4	74.1	0.0
Speed:	889.2	880.7	869.9	858.8	845.9	830.7	0.0
Line Amperes:	1.92	2.0	2.14	2.33	2.57	2.87	0.0

Performance Graph at 460V, 60Hz, 1.0HP Typical performance - Not guaranteed values

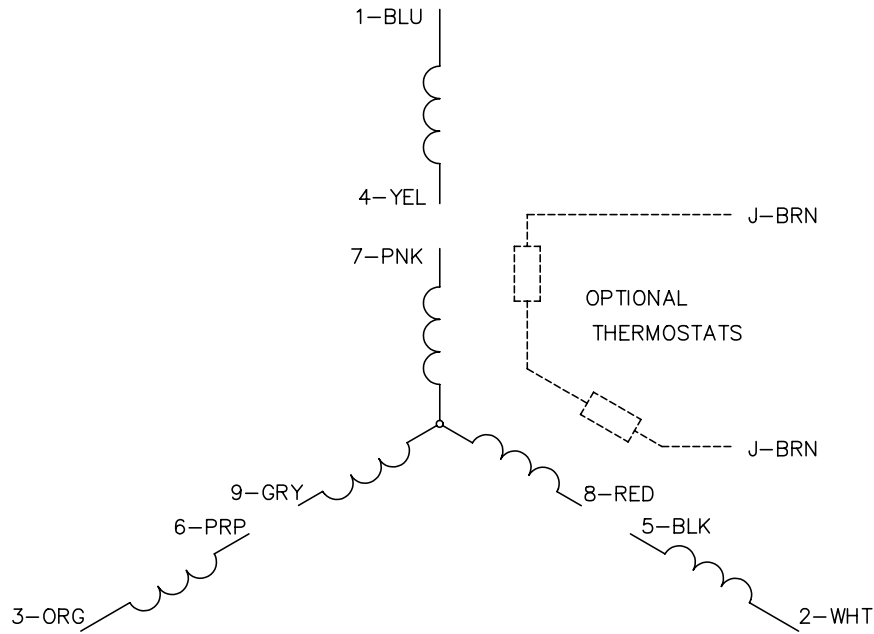




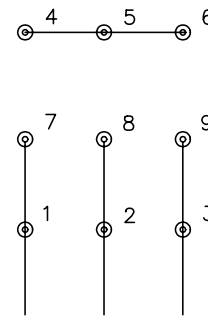
CUST. NAME		CUST. P.O.		CERTIFIED BY		MODEL		INSUL		AMB	
H.P.		MTG		TYPE		R.P.M.		VOLTS		ENCL	
PHASE		FREQ		FRAME							
REV. DESC: CHG'D CONDUIT BOX AND LID (SEE EC09)											
REV. LTR: G		BY: JED		REVISED: 02/17/99 8:48				TDR: 0171568			
9929A L9E				FILE: AAA00003794				MDL: -			
MTL: -				<p style="text-align: center;">BALDOR ELECTRIC Co.</p> <p style="text-align: center;">SPL HORZ 182-4T TEAO 36M - W/LK'D BRG</p>							

36LYG256

CD0005

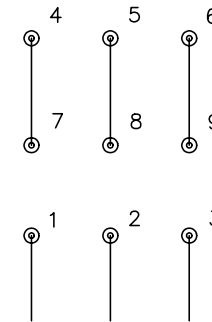


LOW VOLTAGE
(2Y)



LINE

HIGH VOLTAGE
(1Y)



LINE

NOTES:

1. INTERCHANGE ANY TWO LINE LEADS TO REVERSE ROTATION.
2. OPTIONAL THERMOSTATS ARE PROVIDED WHEN SPECIFIED.
3. ACTUAL NUMBER OF INTERNAL PARALLEL CIRCUITS MAY BE A MULTIPLE OF THOSE SHOWN ABOVE.
4. LEAD COLORS ARE OPTIONAL. LEADS MUST ALWAYS BE NUMBERED AS SHOWN.

REV. DESC: REVISE TO SHOW OPTIONAL COLORS			
REV. LTR: E	BY: JLP	REVISED: 01/19/99 10:15	TDR: 0171435
90000		FILE: AAA00005140	MDL: -
		MTL: -	

BALDOR ELECTRIC Co.

3PH, DV, 9 LEADS

CD0005