

# **BALDOR**® • *RELIANCE*

## Product Information Packet

# **BNM3538-D**

**.5HP,1740RPM,3PH,60HZ,56,3512M,TENV,F3,B**

Copyright © All product information within this document is subject to Baldor Electric Company copyright © protection, unless otherwise noted.

Part Detail									
Revision:	B	Status:	PRD/A	Change #:		Proprietary:	No		
Type:	AC	Prod. Type:	3512M	Elec. Spec:	35WGP863	CD Diagram:			
Enclosure:	TENV	Mfg Plant:		Mech. Spec:	35X056	Layout:			
Frame:	56	Mounting:	F3	Poles:	04	Created Date:	04-20-2011		
Base:	RG	Rotation:	R	Insulation:	F	Eff. Date:	05-10-2012		
Leads:	9#18	Literature:		Elec. Diagram:		Replaced By:			
Nameplate NP1372L									
CAT.NO.	BNM3538-D								
SPEC.	35X056P863G1								
HP	.5								
VOLTS	208-230/460								
AMP	1.8-1.6/.8								
RPM	1740								
FRAME	56	HZ	60			PH	3		
SER.F.	1.15	CODE	M			DES	B	CL	F
NEMA-NOM-EFF	80	PF	69						
RATING	40C AMB-CONT								
CC					USABLE AT 208V				
DE	6205	ODE				6203			
ENCL	TENV	SN							
	IP44								

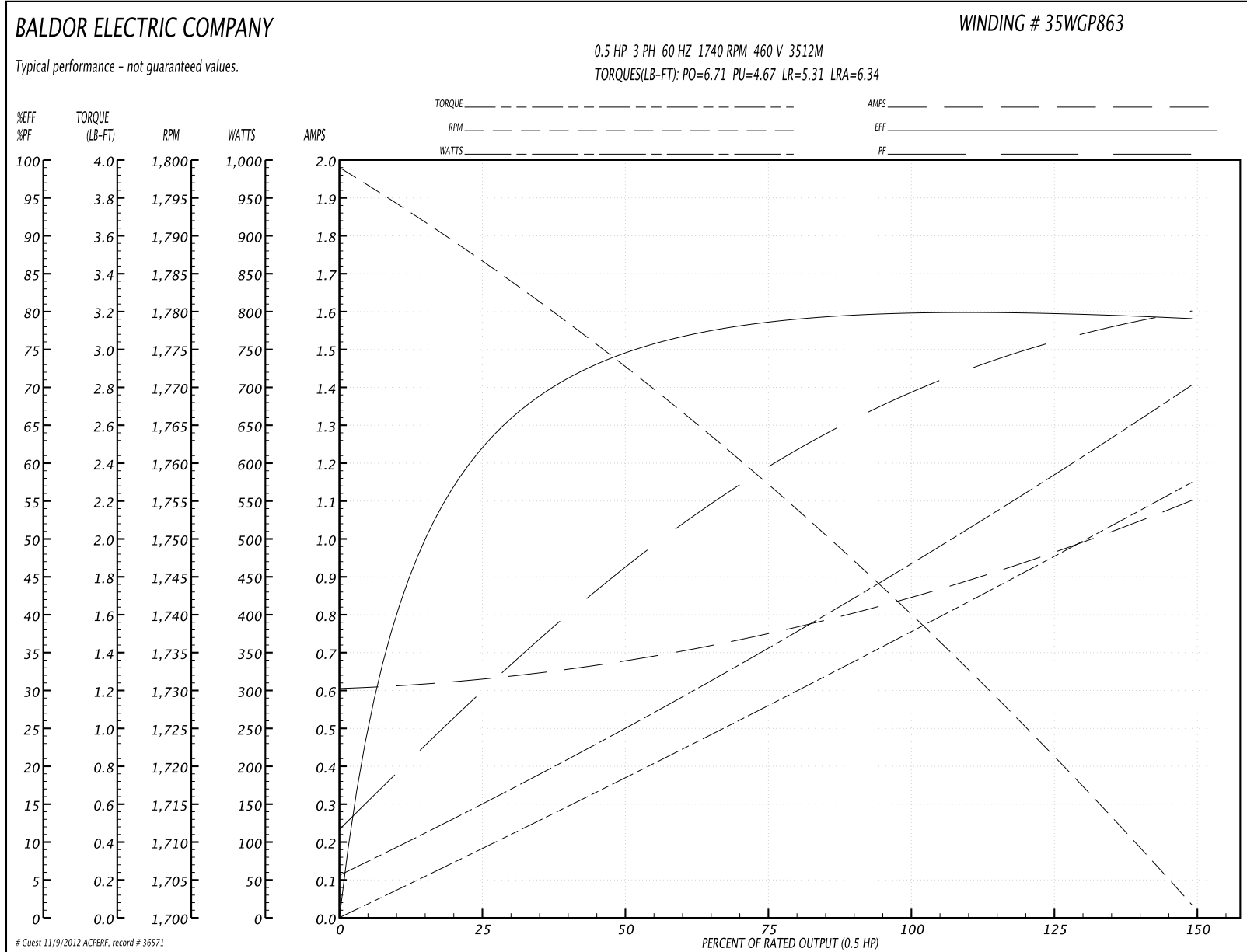
Parts List		
Part Number	Description	Quantity
SA221978	SA 35X056P863G1	1.000 EA
RA209114	RA 35X056P863G1	1.000 EA
NS2512A01	INSULATOR, CONDUIT BOX X	1.000 EA
35CB4007	KOBX, AUTOPHORETIC (REL# 79097-49-C)	1.000 EA
35GS3009	GASKET, KOBX 35CB4006 (411881-15A)	1.000 EA
WD4100A110	CAPLUG,BP-1 1/8, PLUG W/RECESSED HEAD	1.000 EA
51XB1016A05	10-16X5/16HX WA SL SR TYB (F/S)	2.000 EA
11XW1032G06	10-32 X .38, TAPTITE II, HEX WSHR SLTD U	1.000 EA
HW3001B01	003SS CUP WASHER, FOR #8 SCREW	1.000 EA
35EP3900T25	FR EP FACE MNT ENCL FOR BRAKE	1.000 EA
HW5100A03SP	WAVY WASHER (W1543-017)	1.000 EA
35EP3101A02SP	STD PU ENDPLATE-ENCL-205 BRG LESS GREASE	1.000 EA
XY1032A02	10-32 HEX NUT DIRECTIONAL SERRATION	4.000 EA
10XN3816K64	3/8-16X4 HX HD CAP SCREW, GRADE 5	4.000 EA
HW1001A38	LOCKWASHER 3/8, ZINC PLT .688 OD, .382 I	4.000 EA
BR2006B01	DBSC SPLINED HUB 5/8 BOR	1.000 EA
35CB4519	CB LID RAW & UNPRIMED, REL# 79097-50-B	1.000 EA
35GS3020	NEOPRENE GASKET, KOBX LID (602018-31)	1.000 EA
51XW0832A07	8-32 X .44, TAPTITE II, HEX WSHR SLTD SE	4.000 EA
WD4006A01	WIRE JOINT, RB-4 OR RB-44	1.000 EA
HW2501D13SP	KEY, 3/16 SQ X 1.375	1.000 EA
HA7000A04	KEY RETAINER 0.625 DIA SHAFTS	1.000 EA
85XU0407S04	4X1/4 U DRIVE PIN STAINLESS	2.000 EA
LB1419	CONN LABEL DODGE BRAKE (REL# 411614-15)	1.000 EA

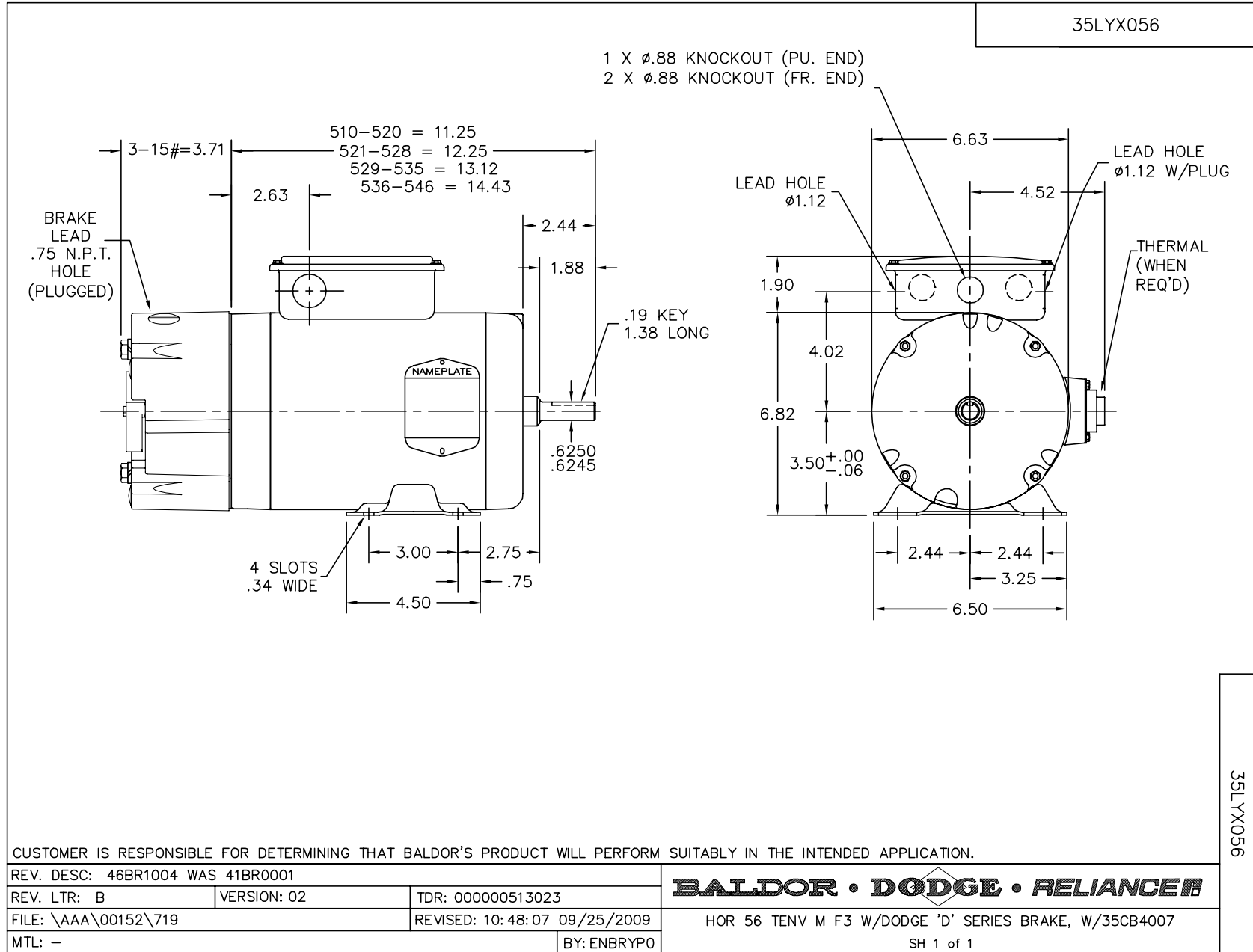
Parts List (continued)		
Part Number	Description	Quantity
MJ1000A75	GREASE, POLYREX EM EXXON	0.050 LB
MG1000N49	PAINT, 678.50 WILKO, REL GRN (55 GA)	0.017 GA
HA3100A15	THRUBOLT 10-32 X 8.375	4.000 EA
46BK0104B01	DBSC-VP-3-MA-230/460 VAC	1.000 EA
LB1119	WARNING LABEL	1.000 EA
LB1125C01	STD (STOCK) CARTON LABEL BALDOR WITH FLA	1.000 EA
LB5040	INSTRUCTION TAG, AC & DC	1.000 EA
LC0005	CONN.DIA.,TY M,9-LD,DUAL VOLT,REVERSING	1.000 EA
NP1372L	ALUM UL CSA CE CC	1.000 EA
36PA1001	PACKAGING GROUP	1.000 EA
PK3082	STYROFOAM CRADLE	1.000 EA

**Performance Data at 460V, 60Hz, 0.5HP (Typical performance - Not guaranteed values)**

General Characteristics							
Full Load Torque:	1.49 LB-FT			Start Configuration:	DOL		
No-Load Current:	0.608 Amps			Break-Down Torque:	6.71 LB-FT		
Line-line Res. @ 25°C.:	34.0 Ohms A Ph / 0.0 Ohms B Ph			Pull-Up Torque:	4.67 LB-FT		
Temp. Rise @ Rated Load:	54 C			Locked-Rotor Torque:	5.31 LB-FT		
Temp. Rise @ S.F. Load:	65 C			Starting Current:	6.34 Amps		
Load Characteristics							
% of Rated Load	25	50	75	100	125	150	S.F.
Power Factor:	28.0	45.0	59.0	69.0	75.0	80.0	73.0
Efficiency:	59.5	73.1	78.5	80.0	80.1	78.9	80.1
Speed:	1788.0	1774.0	1759.0	1741.0	1722.0	1702.0	1730.0
Line Amperes:	0.624	0.669	0.744	0.844	0.957	1.1	0.912

Performance Graph at 460V, 60Hz, 0.5HP Typical performance - Not guaranteed values

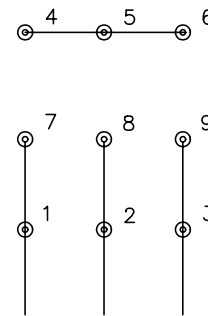




CD0005

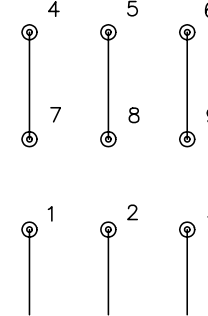


LOW VOLTAGE  
(2Y)



LINE

HIGH VOLTAGE  
(1Y)



LINE

NOTES:

1. INTERCHANGE ANY TWO LINE LEADS TO REVERSE ROTATION.
2. OPTIONAL THERMOSTATS ARE PROVIDED WHEN SPECIFIED.
3. ACTUAL NUMBER OF INTERNAL PARALLEL CIRCUITS MAY BE A MULTIPLE OF THOSE SHOWN ABOVE.
4. LEAD COLORS ARE OPTIONAL. LEADS MUST ALWAYS BE NUMBERED AS SHOWN.

REV. DESC: REVISE TO SHOW OPTIONAL COLORS			
REV. LTR: E	BY: JLP	REVISED: 01/19/99 10:15	TDR: 0171435
90000		FILE: AAA00005140	MDL: -
		MTL: -	

**BALDOR ELECTRIC Co.**

3PH, DV, 9 LEADS

CD0005