

BALDOR® • ***RELIANCE***

Product Information Packet

BSM33C-2177MHQ

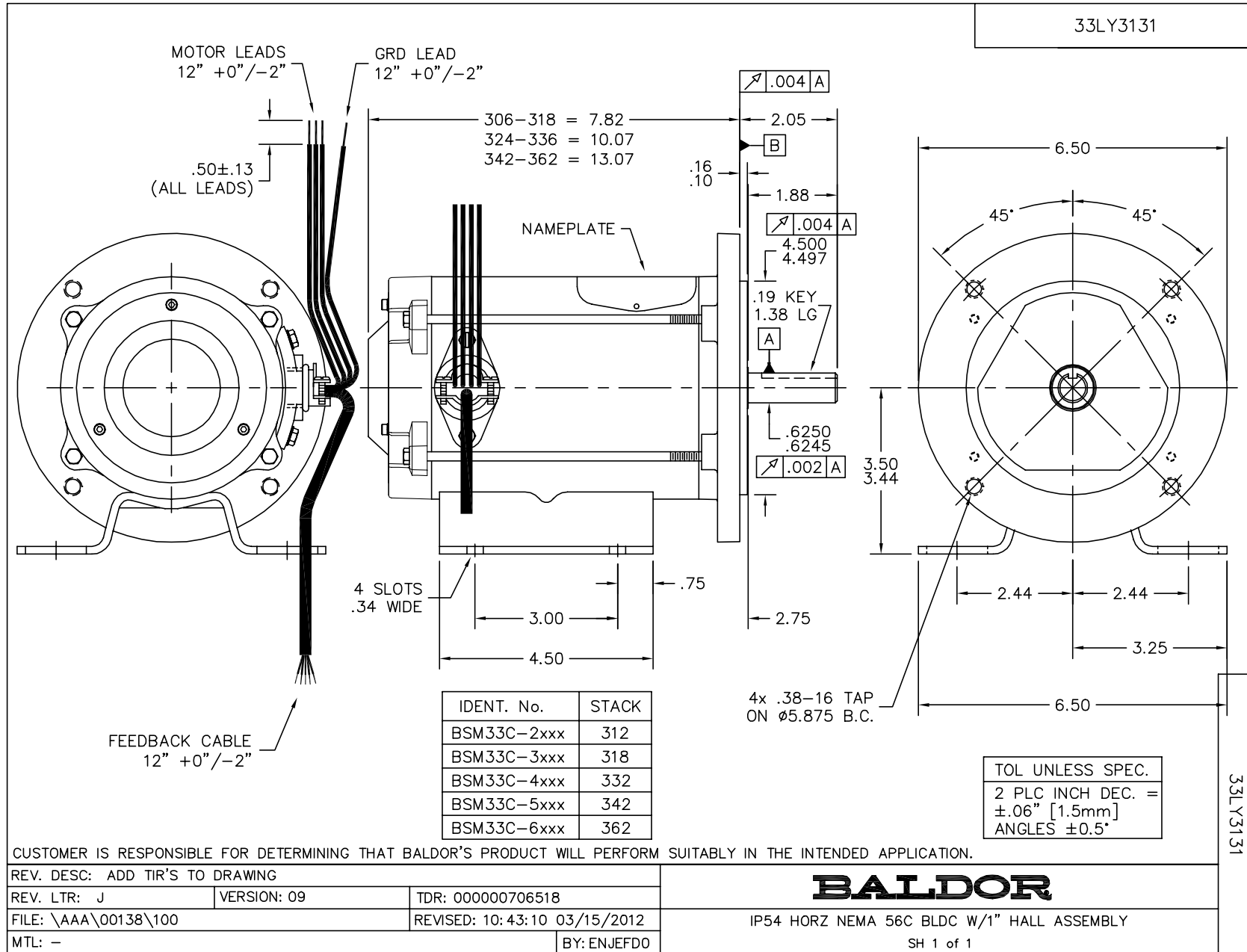
12B TENV HOR 56C 1" HALL (1/2 HP)

Copyright © All product information within this document is subject to Baldor Electric Company copyright © protection, unless otherwise noted.

Nameplate NP1419L			
CAT.NO.	BSM33C-2177MHQ		
SPEC.	33-3131W943		
HP	0.500		
RPM	1800		
FRAME	56C	SER.F.	1.00
VOLTS	320		
AMPS	2.7		
INSUL	F	AMB.	40
DUTY	CONT	ENCL	TENV
BRG/DE	6205	BRG/ODE	6203
SER.NO			
BLANK		BLANK	

Parts List		
Part Number	Description	Quantity
SA158563	SA 33-3131W943	1.000 EA
RA147201	RA 33-3131W943	1.000 EA
33EP2105A20	FREP BLDC, 1" HALL	1.000 EA
HW5100A05	WVY WSHR F/205 & 304 BRGS	1.000 EA
HA6164A07	PIPE ADAPTER W/.50 NPS LEAD HOLE (SHORT)	1.000 EA
36GS5000	GASKET CONDUIT ADAPTOR	1.000 EA
51XB1016A08	10-16X 1/2HXWSSLD SERTYB	2.000 EA
WD4500A50	CORD CONN,.50 NPS, STRAIGHT	1.000 EA
11XW1032G06	10-32 X .38, TAPTITE II, HEX WSHR SLTD U	1.000 EA
33EP2106A01	BLDC PU ENDPLATE, MACH	1.000 EA
HW2501D13SP	KEY, 3/16 SQ X 1.375	1.000 EA
HA7000A04	KEY RETAINER 0.625 DIA SHAFTS	1.000 EA
HA1056	SYNCHRO CLAMP	3.000 EA
62YW0025A007	EPOXY LOCK SCREW,M2.5X7 TORX PAN HD TAPT	3.000 EA
33CB4504A11	FEEDBACK COVER 33BSM	1.000 EA
84YN0030J006	SOC HD CP SCREW M3 X 6MM	3.000 EA
HW1021A03	WASHER, M3 SPLIT LOCK	3.000 EA
MG1000G27	PAINT- S9282E CHARCOAL GREY	0.013 GA
85XU0407A04	#4-7 X 1/4 DRIVE PIN	2.000 EA
BG6205E03	6205 D.SL,C3,POLYREX EM	1.000 EA
LD2200A25	LEAD ASSY, ML1400DF14 W/#10 RING 18"	1.000 EA
HA3100A11	THRUBOLT 10-32 X 6.750	4.000 EA
LB1119	WARNING LABEL	1.000 EA
LB1172A01	CUSTOM MTR CARTON LABEL LASER PRINTER	1.000 EA

Parts List (continued)		
Part Number	Description	Quantity
NP1419L	NP STD LASER ENGRAVED BRUSHLESS DC MOTOR	1.000 EA
27PA1001	PACKAGING GROUP	1.000 EA



CUSTOMER IS RESPONSIBLE FOR DETERMINING THAT BALDOR'S PRODUCT WILL PERFORM SUITABLY IN THE INTENDED APPLICATION.

REV. DESC: ADD TIR'S TO DRAWING

REV. LTR: J

VERSION: 09

TDR: 000000706518

FILE: \AAA\00138\100

REVISED: 10:43:10 03/15/2012

MTL: -

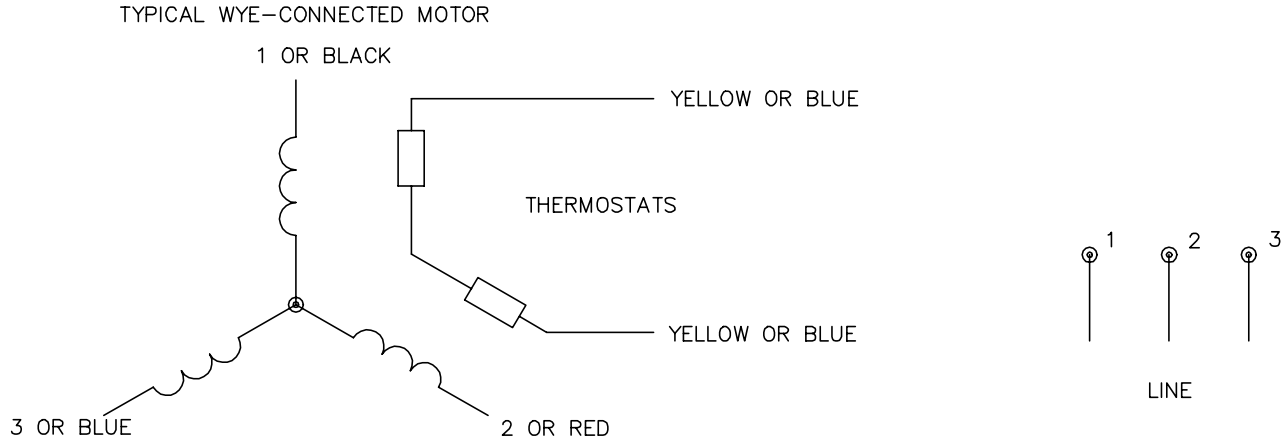
BY: ENJFDO

BALDOR

IP54 HORZ NEMA 56C BLDC W/1" HALL ASSEMBLY

SH 1 of 1

CD0006A02



NOTES:

1. INTERCHANGE ANY TWO LINE LEADS TO REVERSE ROTATION.
2. ACTUAL NUMBER OF INTERNAL PARALLEL CIRCUITS MAY VARY.

REV. DESC: REMOVED "OPTIONAL" FROM PRINT, SERVO REQ'S T'STATS			
REV. LTR: D	VERSION: 03	TDR: 000000414937	
CD0006A02	FILE: \AAA\00068\606	REVISED: 10:02:28 11/21/2006	
	MTL: -	BY: ENJFDO	

BALDOR ELECTRIC Co.

3PH, SV, 3 LEADS, WYE CONNECTED

CD0006A02