

BALDOR® • *RELIANCE*

Product Information Packet

BTG1000

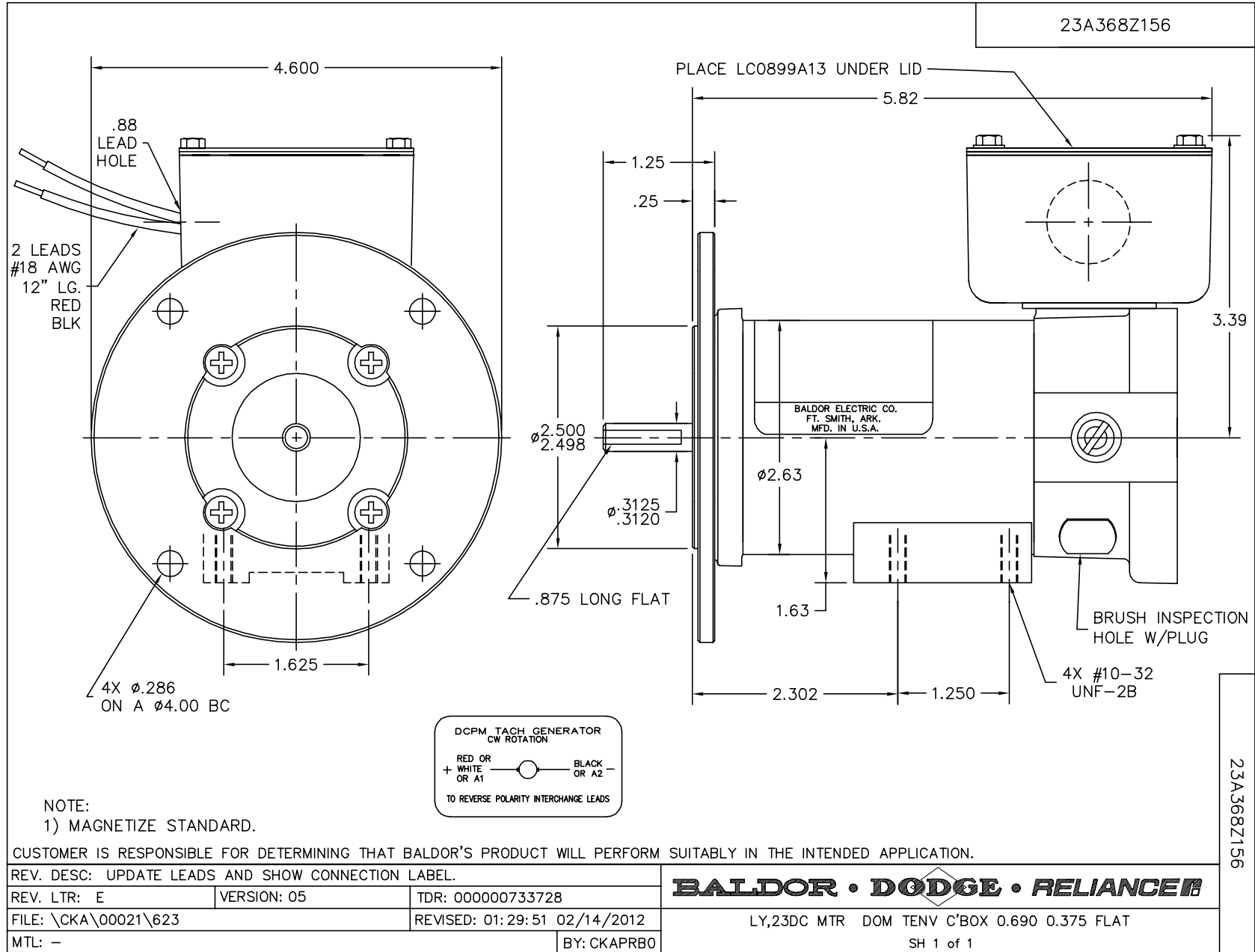
-HP,-RPM,DC,2318P,TENV,AP

Copyright © All product information within this document is subject to Baldor Electric Company copyright © protection, unless otherwise noted.

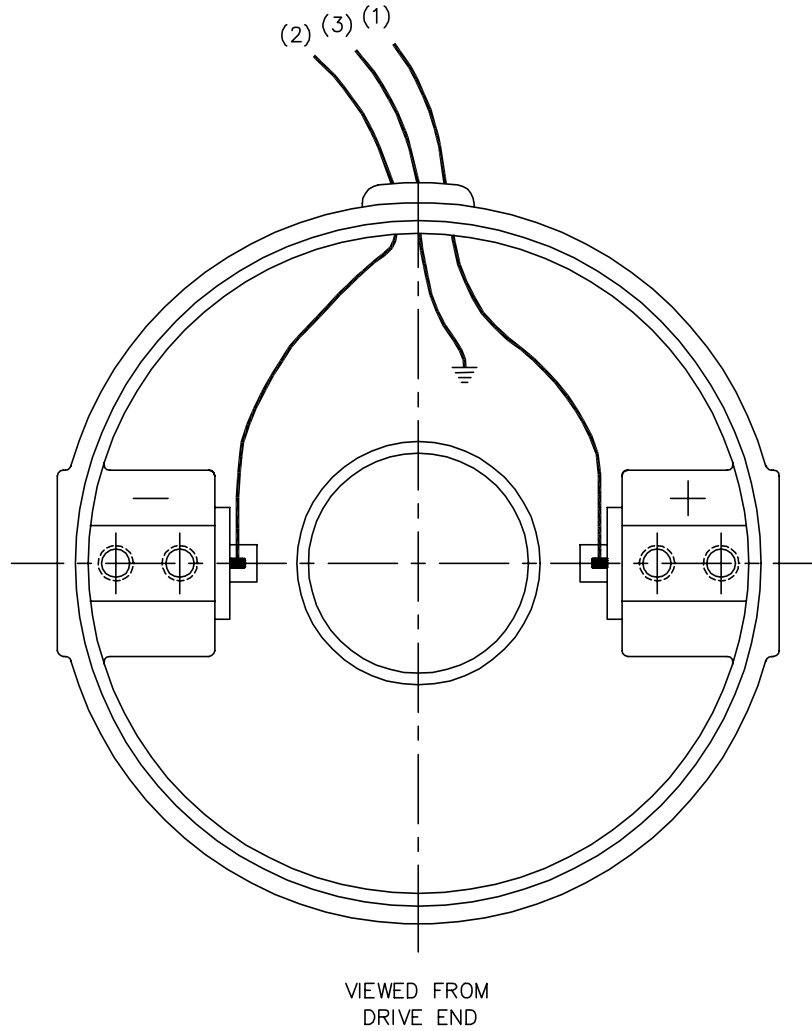
Part Detail							
Revision:	AG	Status:	PRD/A	Change #:		Proprietary:	No
Type:	DC	Prod. Type:		Elec. Spec:	23WGZ156	CD Diagram:	
Enclosure:	TENV	Mfg Plant:		Mech. Spec:		Layout:	
Frame:		Mounting:		Poles:	///	Created Date:	
Base:		Rotation:		Insulation:	F	Eff. Date:	02-20-2012
Field Type:		Literature:		Elec. Diagram:		Replaced By:	
Nameplate NP1220A38							
CAT.NO.				BTG1000			
SER.NO							
SPEC.				23A368Z156			
TYPE				2318P			
VOLTS/1000RPM				50			
CLASS				F			
BRUSHES				2/BP5060BD02			

Parts List		
Part Number	Description	Quantity
SA096411	SA 23A368Z156	1.000 EA
AA008895	AA 23A368Z156	1.000 EA
LC0899A13	CONNECTION LABEL, TACH CW ROTATION	1.000 EA
BP5060BD02SP	CARBON BRUSH-1/8X3/16-CARBONE # BAL-22	1.000 EA
MJ5005A02	DYNA-WEIGHT COMPOUND BAL-1-FS,16#/KIT,	0.010 LB
23EP3101A05L	ENDPLATE, 23 FRAME MACHINE	1.000 EA
HW5002A45	RETAINING RING,WALDES TRUARC N5002-118	1.000 EA
BFL1204-001	F-1 FLANGE 4.600" O.D.	1.000 EA
BMH1530	SCREW,FLAT 10-32 X 3/8"	4.000 EA
23SH4000C13	SH,ARM MTR 23 18 .312 X 1.25	1.000 EA
NP1220A38	NP,DC STD AD NONE V TACH	1.000 EA
MA5002A08L	BASE,EXR 23 0.494A 1.250B 0.250C 1.250D	1.000 EA
51XN1032A07	10-32 X 0.438 HX WS SL SR ZN	2.000 EA
23EP2105A18L	EP,23 ODE DC CB MTG W/BRUSH VIEW HOLE	1.000 EA
HW5109A06	WASHER, WAVE SPRING FOR 22MM BORE SMALLE	1.000 EA
BP4517	BRUSH TUBE ASM	2.000 EA
80XN1032A04	10-32 X 1/4 SET SCREW	2.000 EA
BP4515SP	BRUSH CAP #AE-51	1.000 EA
BWI1766-065	WIRE ASM,2 LEAD RED\BLK 18AWG	1.000 EA
33CB3001L	BOX, CAST W/BLACK EPOXY POWDER	1.000 EA
33GS1006	GASKET CONDUIT BOX (LEXIDE)	1.000 EA
15XM0832A06	SCREW, 8-32X .375, THREAD FORMING	4.000 EA
34CB4500L	CONDUIT BOX LID W/BLACK EPOXY POWDER	1.000 EA
34GS1001	GASKET, STD CONDUIT BOX LID (LEXIDE)	1.000 EA

Parts List (continued)		
Part Number	Description	Quantity
51XN0832A08	08-32 #10 & SMALLER HEX WASHER HEAD, SL	4.000 EA
BMH1985	HOLE PLUG, DP-562/HEY#2653	1.000 EA
BEH4309	WIRE MOUNT, DENNISON#08458	1.000 EA
HA3170A20	THRUBOLT, FLAT HD. #8-32 THDS X 5.100 LO	2.000 EA
CPA1000	PACKING GROUP STD. SINGLE	1.000 EA
LB1171	LABEL CARTON 6X6 ON LINE BLANK ROLLS	1.000 EA



CD1918



(1) COLOR MAY BE
RED
WHT
BLU

(2) COLOR MAY BE
BLK
BRN

(3) COLOR WHEN REQ.
GRN
GRN/YEL

VIEWED FROM
DRIVE END

REV. DESC: NEW		VERSION: 00		TDR: 000000353283	
REV. LTR: -		FILE: \CKA\00026\698		REVISED: 05: 52: 44 01/21/2005	
816100		MTL: -		BY: CKPHIWO	

BALDOR ELECTRIC Co.

PM,2LD,REV,TANG,CK

CD1918