

# **BALDOR**® • *RELIANCE*

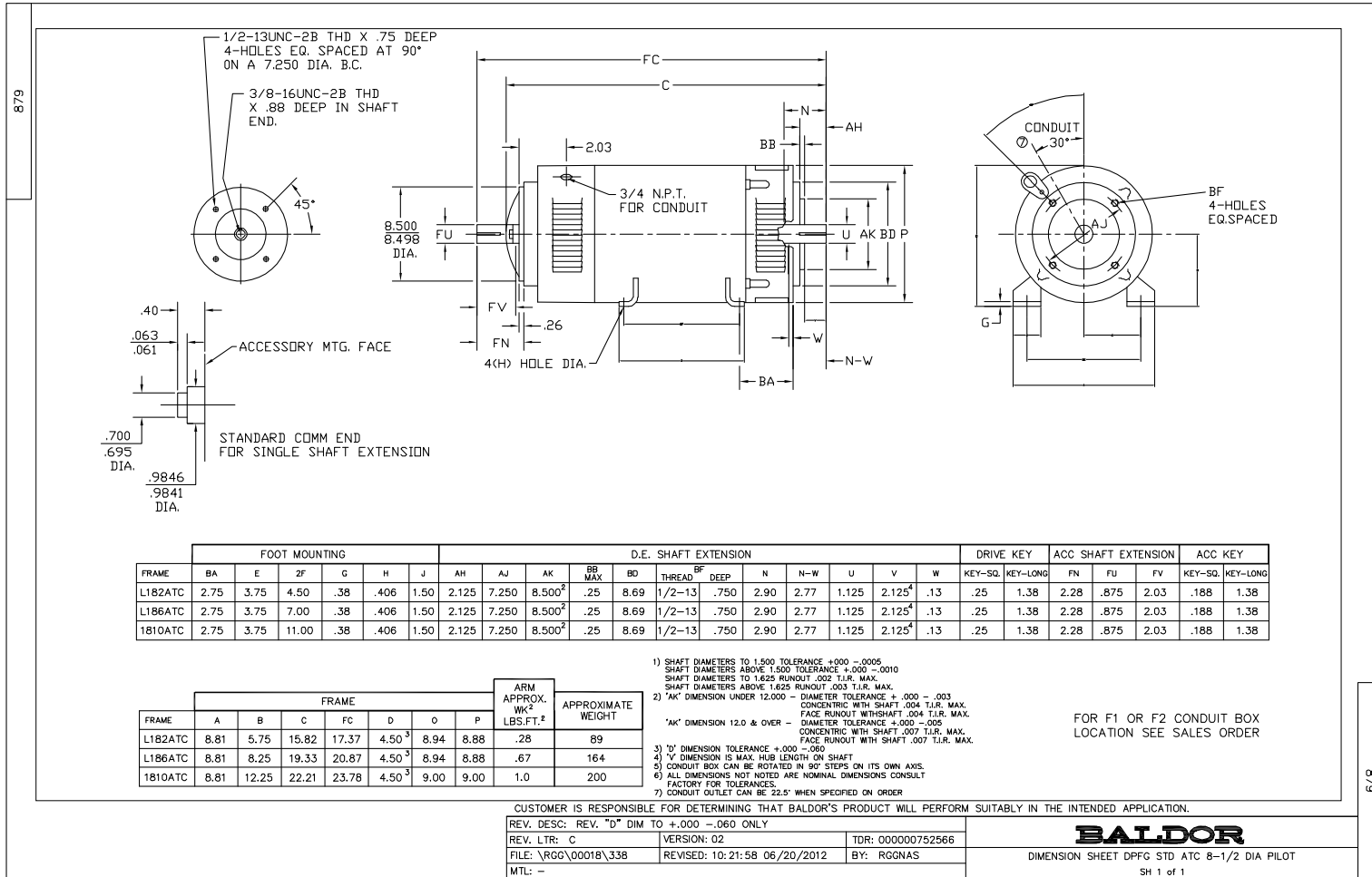
## **Product Information Packet**

# **CD2003P-2**

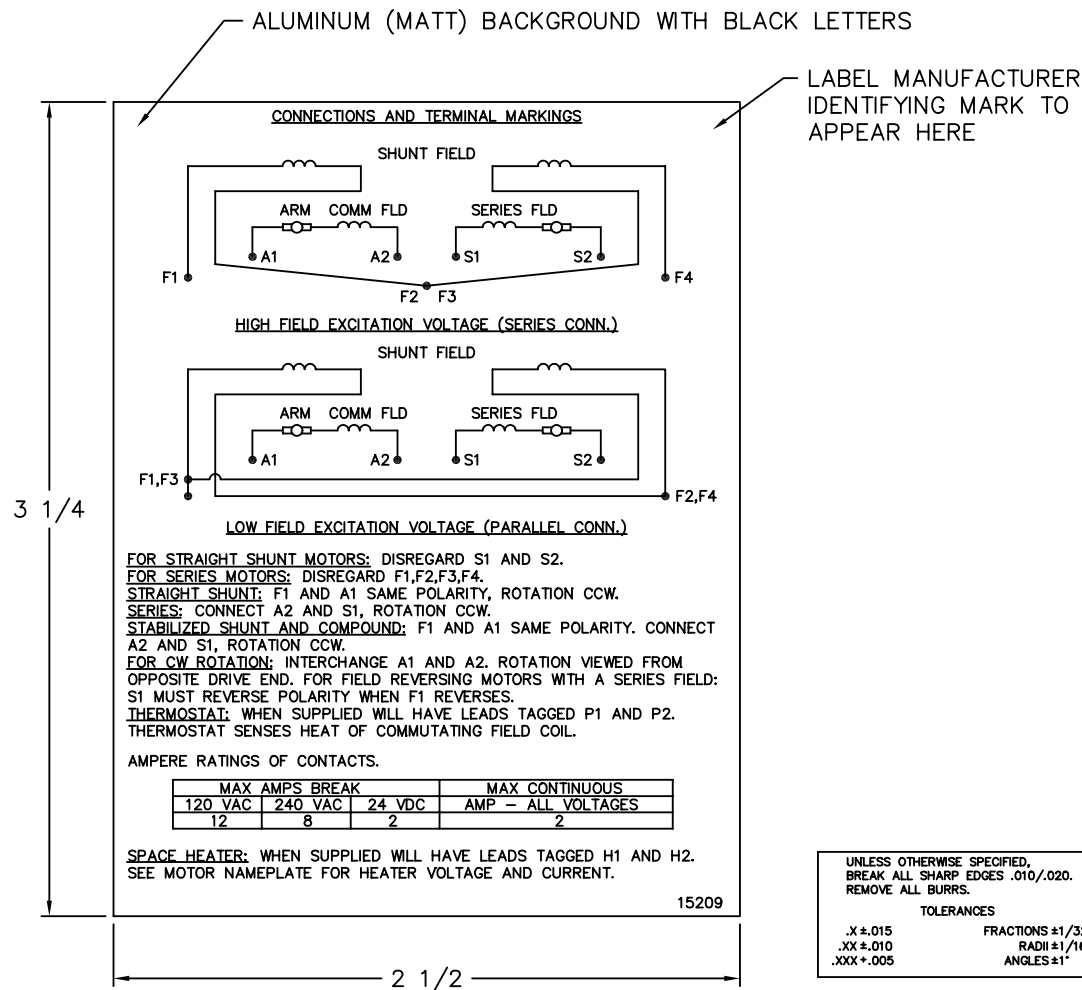
**3HP, 1750/2300RPM, DC, L186ATC, DPFG, TOD**

Copyright © All product information within this document is subject to Baldor Electric Company copyright © protection, unless otherwise noted.

Part Detail			
Type:	DC	Prod. Type:	TR
Power Code:	D	Weight:	170
Frame Group:	L 0186ATC	Mounting Pos.:	F3
HP:	3	Enclosure:	DPFG
RPM:	1750/2300	Wound:	STR. SHUNT
Service Factor:	1.0	Arm V:	240
Arm A:	10.60	Field V:	120/ 240
Field A:	1.28/.64	Field A Hot:	.90-.46/.45-.23
Insulation Class:	F	Ambient:	40
Duty:	CONT	DE Bearing:	6206
ODE Bearing:	6205	Brushes:	18044-8
Brush Qty.:			



15209



**NOTE:**  
 MATERIAL .005 MINIMUM FULL HARD ALUMINUM DULL FINISH.  
 TEMP. RANGE -20°C TO +125°C MAXIMUM.  
 FOR INDOOR AND OUTDOOR MOUNTING BACK.  
 METAL, PRESSURE SENSITIVE BACK. MUST MEET CSA STANDARD.  
 THE CSA IDENTIFYING MARK OF THE LABEL MANUFACTURER MUST APPEAR IN THE UPPER RIGHT HAND CORNER AS INDICATED.

MATL: NOTED

REV: G CHANGE ALL "NAMEPLATE" TEXT TO "LABEL"

60291

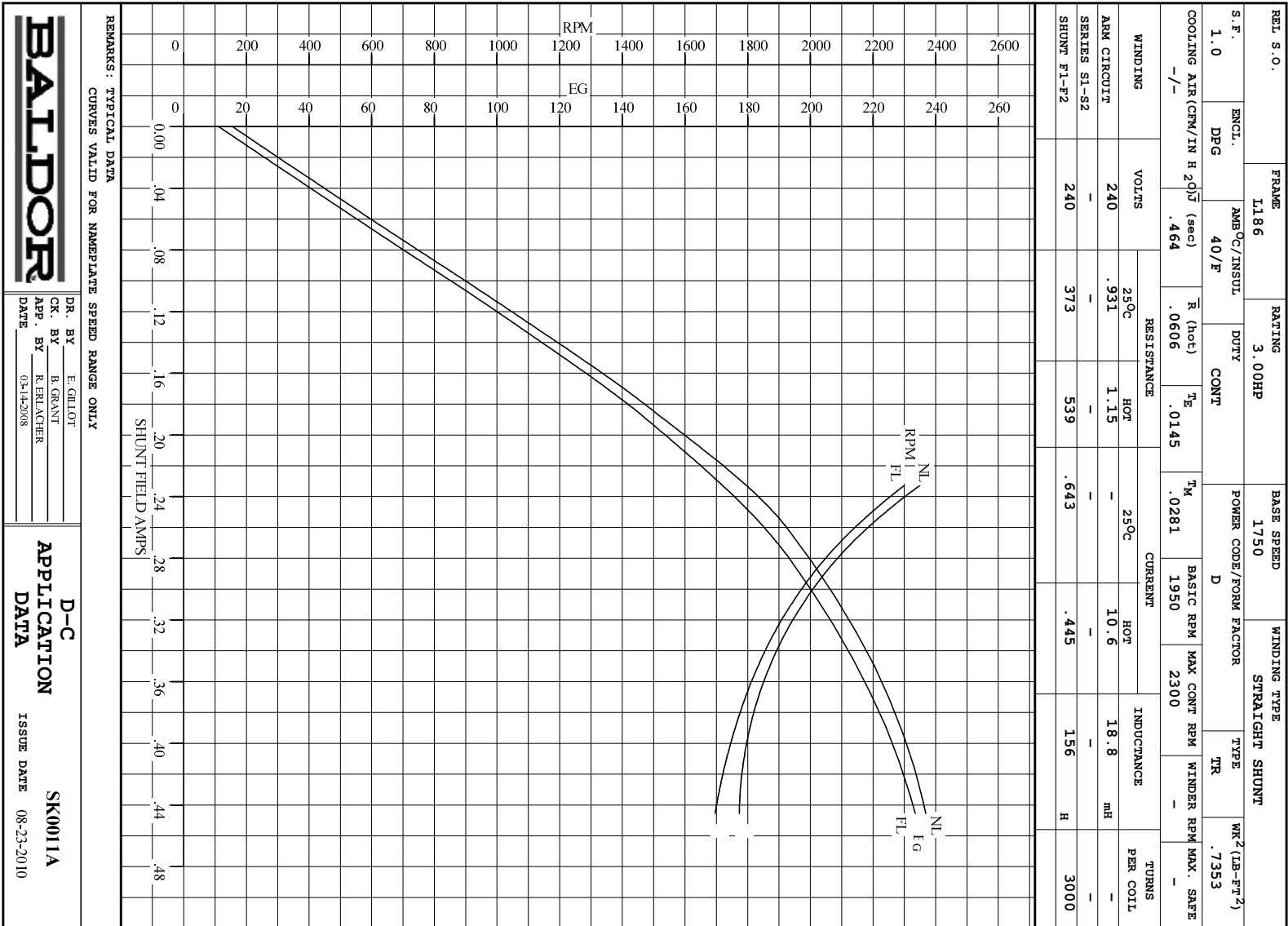
SCALE: - BY: BKW REVISED: 02/19/97  
 FILE: CHB00002485 TDR: 0115147

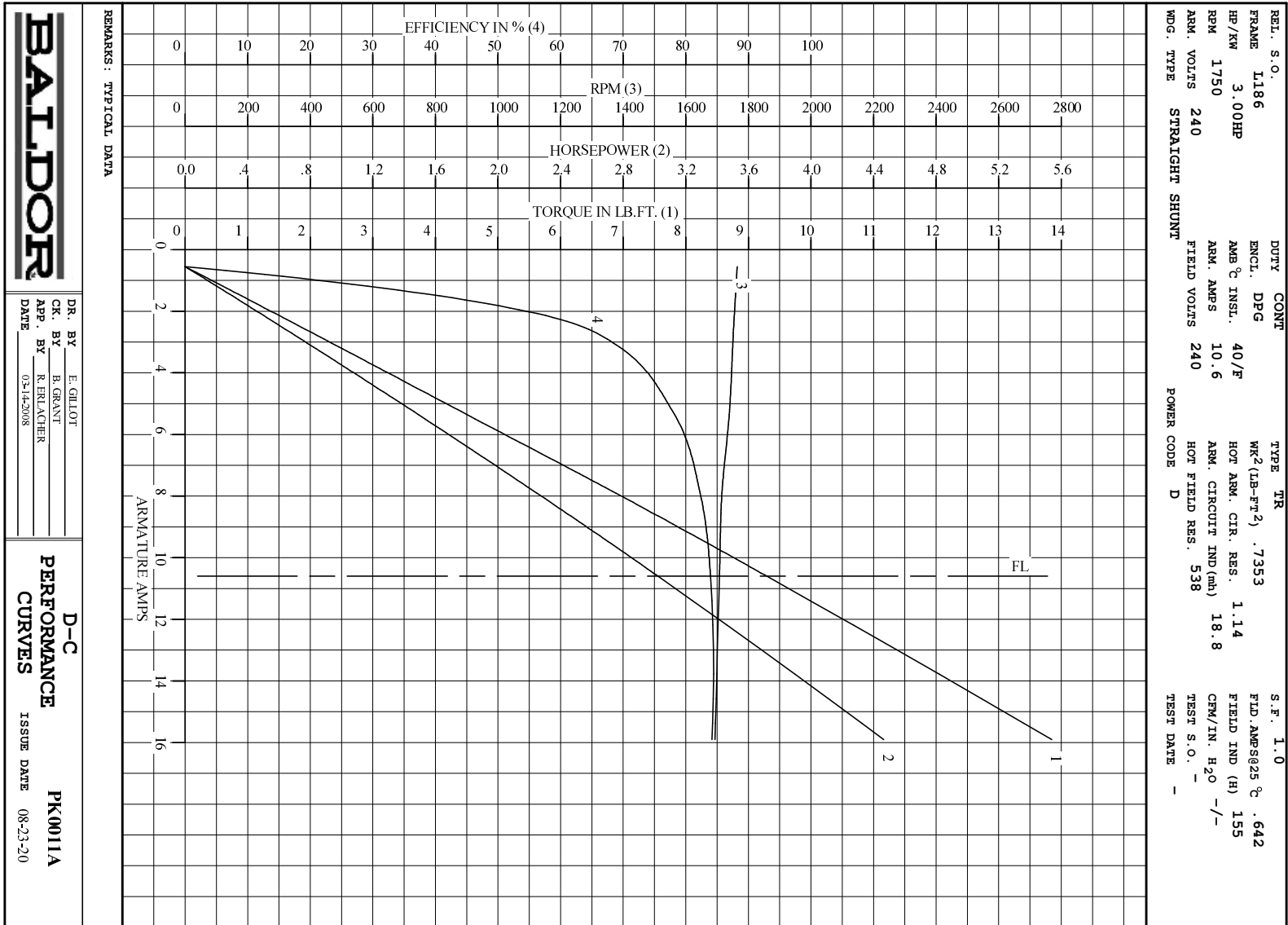
**BALDOR ELECTRIC Co.**

LABEL, CONNECTIONS AND TERMINAL MARKINGS DC

15209

REL. S. O.	FRAME	RATING	RPM	ARM. VOLTS	ARM. AMPS		
	L186	3.00HP	1750	240	10.6		
WINDING TYPE		S.F.	ENCL.	AMB °C/INSUL	DUTY	FIELD VOLTS	
STRAIGHT SHUNT		1.0	DRG	40/F	CONT	240	
POWER CODE		TYPE	WK 2 (LB-FT <sup>2</sup> )	HOT ARM. CIR. RES.	FLD. AMPS@25 °C	HOT FIELD RES	
D		TR	.7353	1.14	.642	538	
ARM. CIR. IND. (mh)		FIELD IND. (H)	COOLING AIR (CFM/IN H 20)		TURNS PER COIL SHUNT/SERIES	TEST DATE	
18.8		155	-/-		3000/.00000	-	
LOAD PERFORMANCE							
LOAD	AMPERES	TORQUE IN LB.-FT.	OUTPUT IN HP	RPM	EFFICIENCY %		
NO LOAD	.55	0	0	1765	0		
1/4	2.6	1.98	.661	1752	65.2		
2/4	5.3	4.45	1.47	1739	78.0		
3/4	7.9	6.93	2.26	1715	82.3		
4/4	11	9.30	3.02	1708	83.9		
O.L.	16	13.8	4.47	1694	84.2		
RPM VS. FIELD AMPS							
FIELD AMPS			RPM N.L.	RPM F.L.	Eg N.L. @ BASE SPEED	Eg F.L. @ BASE SPEED	
.445			1764	1707	236	233	
.392			1803	1756	232	225	
.339			1894	1857	221	213	
.285			2061	2024	203	195	
.232			2349	2300	178	171	
REMARKS: TYPICAL DATA							
<b>BALDOR</b>				DR. BY E. GILLIG CK. BY B. GRANT APP. BY R. ERLACHER DATE 03-14-2008		D-C MOTOR PERFORMANCE DATA DK0011A ISSUE DATE 08-23-2010	





DR. BY E. GILLOT  
 CK. BY B. GRANT  
 APP. BY R. REILACHER  
 DATE 03-14-2008

**D-C**  
**PERFORMANCE**  
**CURVES** ISSUE DATE 08-23-20  
**PK0011A**