

BALDOR® • **RELIANCE**

Product Information Packet

CDP3410-V24

.25HP, 1800RPM, DC, 56C, 3416P, TENV, F1

Copyright © All product information within this document is subject to Baldor Electric Company copyright © protection, unless otherwise noted.

Part Detail							
Revision:	B	Status:	PRD/A	Change #:		Proprietary:	No
Type:	DC	Prod. Type:		Elec. Spec:	34WGZ610	CD Diagram:	
Enclosure:	TENV	Mfg Plant:		Mech. Spec:	34-6943	Layout:	
Frame:	56C	Mounting:	F1	Poles:	///	Created Date:	
Base:	RG	Rotation:	R	Insulation:	F	Eff. Date:	03-20-2006
Field Type:		Literature:		Elec. Diagram:		Replaced By:	

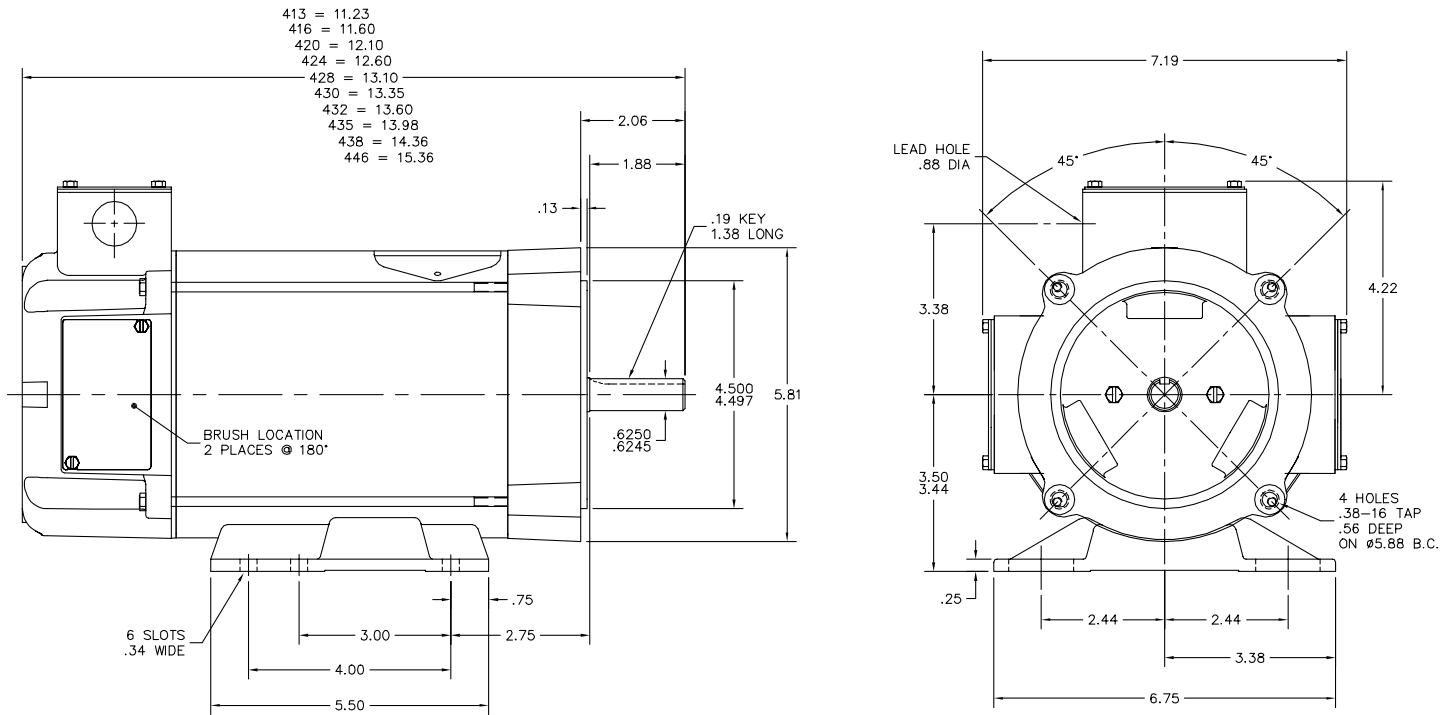
Nameplate NP0111L

CAT.NO.	CDP3410-V24						
SPEC.	34-6943Z610G1						
HP	.25					ENCL	TENV
RPM	1800						
FRAME	56C					TYPE	3416P
ARM V	24					ARM A	10.6
FLD V						FLD A	
INSUL	F					AMB.	40C
DUTY	CONT					SUPPLY	A
BRG/DE	6203					BRG/ODE	6203
BRUSHES	2/BP5104BV01						
						BLANK	
SER.							
BLANK							
APRV-CSA					APRV-UL		

Parts List		
Part Number	Description	Quantity
SA115431	SA 34-6943Z610G1	1.000 EA
AA010317	AA 34-6943Z610G1	1.000 EA
BP5104BV01SP	CARBON BRUSH - 12 DC - MZ65	1.000 EA
BP5100	SPRING PRESSURE BRACKET ASSY	2.000 EA
34RK5006	ROCKERARM ASSEMBLY MODEL 34 PM	1.000 EA
51XF1032A08	10/32X1/2 HXWSHR HD, SL, TYPE F ,SERATED	4.000 EA
11XW1032G06	10-32 X .38, TAPTITE II, HEX WSHR SLTD U	1.000 EA
HW3001B01	003SS CUP WASHER, FOR #8 SCREW	1.000 EA
34EP3114A03	FR EP, MACH MODEL 34 TENV W/EXT T-BOLTS	1.000 EA
WD4102A65	HEYCO #2827 (B 625-500) SHORTY BUSHING	1.000 EA
HW5100A03SP	WAVY WASHER (W1543-017)	1.000 EA
34CB4519	BRUSH INSPECTION COVER	2.000 EA
34GS1022	GASKET, BRUSH COVER LID, NEOPRENE NON CO	2.000 EA
51XW0832A07	8-32 X .44, TAPTITE II, HEX WSHR SLTD SE	4.000 EA
34EP3300A66	PU ENDPLATE, MACH W/INTERNAL RABBET	1.000 EA
51XN1032A20	10-32 X 1 1/4 HX WS SL SR	2.000 EA
34CB4518	CONDUIT BOX LID, STAMPED F/34P	1.000 EA
34GS1027	GASKET, 34P KOBX LID, CS-301 LEXIDE	1.000 EA
51XW0832A07	8-32 X .44, TAPTITE II, HEX WSHR SLTD SE	2.000 EA
HW2501D13SP	KEY, 3/16 SQ X 1.375	1.000 EA
HA7000A04	KEY RETAINER 0.625 DIA SHAFTS	1.000 EA
MG1000G27	PAINT- S9282E CHARCOAL GREY	0.014 GA
10XF0440S02	04-40 X 1/8 TYPE F HEX HD STAINLESS STIC	2.000 EA
WD1000A29	3-520140-4 AMP TRM=3.4M/R	2.000 EA

Parts List (continued)		
Part Number	Description	Quantity
HA3100A10	THRUBOLT 10-32 X 6.250	4.000 EA
LB1119	WARNING LABEL	1.000 EA
LB1125C01	STD (STOCK) CARTON LABEL BALDOR WITH FLA	1.000 EA
LC0194	CONNECTION LABEL FOR TYPE PM-DC MOTOR W/	1.000 EA
NP0111L	NP STD LASER ENGRAVED DC MOTORS, UL CSA	1.000 EA
27PA1001	PACKAGING GROUP	1.000 EA
LB5040	INSTRUCTION TAG, AC & DC	1.000 EA

34LY6943



CUSTOMER IS RESPONSIBLE FOR DETERMINING THAT MOTOR PERFORMANCE IS SUITABLE IN THE APPLICATION.

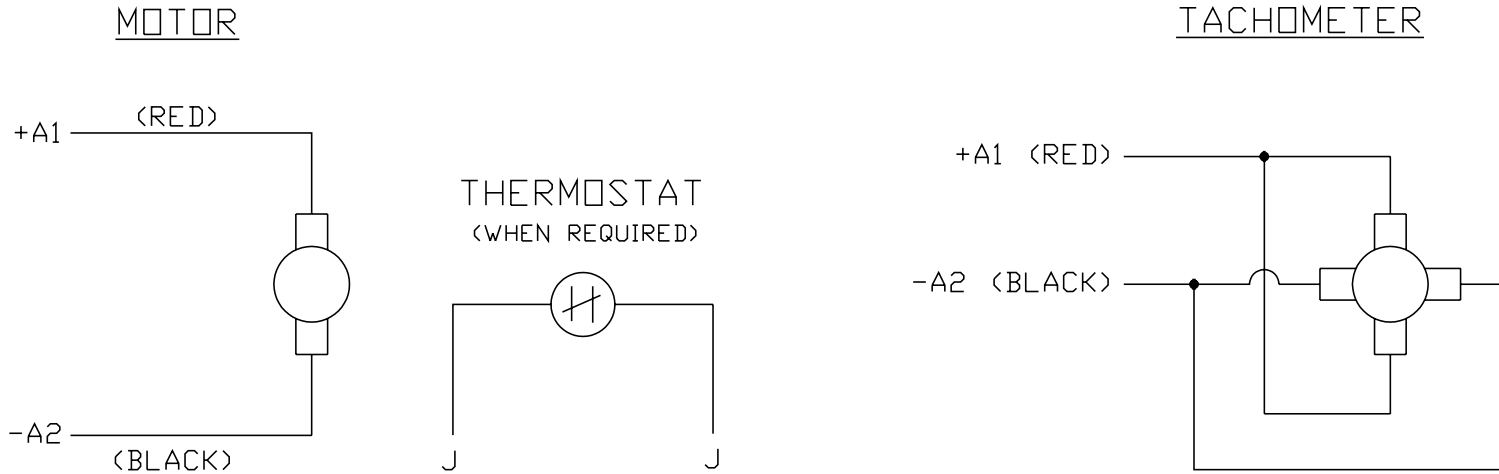
REV. DESC: 7.19 BRUSH PAD WIDTH WAS 6.19		
REV. LTR: F	VERSION: 05	TDR: 000000406895
FILE: \AAA\00097\976	REVISED: 15:58:01 08/31/2006	BY: ENBUCFO
MTL: -		

BALDOR ELECTRIC Co.

STD HORZ 34PM NEMA 56C TENV (HI DEMAG MOTOR) LOW VOLTS

34LY6943

CD0194



NOTES:

1. CCW ROTATION AS SHOWN FACING COMMUTATOR END. TO REVERSE MOTOR ROTATION OR TACHOMETER OUTPUT POLARITY INTERCHANGE LEADS A1(RED) & A2(BLACK)
2. LEAD COLORS FOR REFERENCE ONLY & NOT SPECIFIED BY THIS DRAWING. LEAD COLORS SPECIFIED BY LAYOUT DRAWING & BILL OF MATERIAL ONLY.

MATL: -			
REV: E	ADDED NOTE "LEAD COLORS FOR REFERENCE ONLY &..."		
761000	SCALE: -	BY: CK	REVISED: 07/28/95
	FILE: AAA00004503	TDR: 0078737	

BALDOR ELECTRIC Co.

CD TYPE P DC PERMANENT MAGNET MOTORS AND TACHOMETERS

CD0194