

# **BALDOR**® • *RELIANCE*

## **Product Information Packet**

# **CDP3420-V24**

**.33HP, 1800RPM, DC, 56C, 3416P, TENV, F1**

Copyright © All product information within this document is subject to Baldor Electric Company copyright © protection, unless otherwise noted.

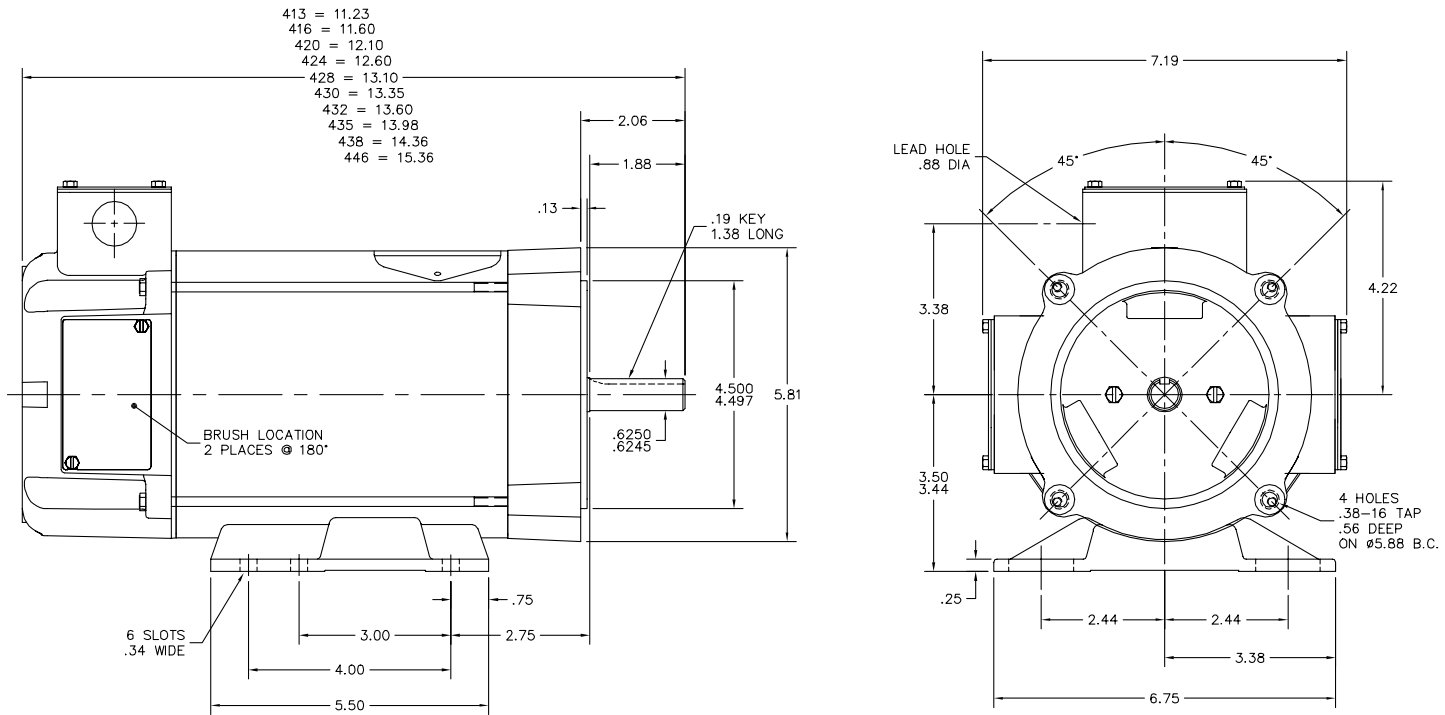
| Part Detail |      |             |       |                |          |               |            |
|-------------|------|-------------|-------|----------------|----------|---------------|------------|
| Revision:   | E    | Status:     | PRD/A | Change #:      |          | Proprietary:  | No         |
| Type:       | DC   | Prod. Type: |       | Elec. Spec:    | 34WGZ610 | CD Diagram:   |            |
| Enclosure:  | TENV | Mfg Plant:  |       | Mech. Spec:    | 34-6943  | Layout:       |            |
| Frame:      | 56C  | Mounting:   | F1    | Poles:         | ///      | Created Date: |            |
| Base:       | RG   | Rotation:   | R     | Insulation:    | F        | Eff. Date:    | 12-23-2011 |
| Field Type: |      | Literature: |       | Elec. Diagram: |          | Replaced By:  |            |

| Nameplate NP0111L |              |         |       |
|-------------------|--------------|---------|-------|
| CAT.NO.           | CDP3420-V24  |         |       |
| SPEC.             | 34-6943Z610  |         |       |
| HP                | .333         | ENCL    | TENV  |
| RPM               | 1800         |         |       |
| FRAME             | 56C          | TYPE    | 3416P |
| ARM V             | 24           | ARM A   | 13.6  |
| FLD V             |              | FLD A   |       |
| INSUL             | F            | AMB.    | 40    |
| DUTY              | CONT         | SUPPLY  | A     |
| BRG/DE            | 6203         | BRG/ODE | 6203  |
| BRUSHES           | 2/BP5104BV01 |         |       |
|                   |              | BLANK   |       |
| SER.              |              |         |       |
| BLANK             |              |         |       |
| APRV-CSA          |              | APRV-UL |       |

| Parts List   |  |          |
|--------------|--|----------|
| Part Number  | Description                              | Quantity |
| SA112977     | SA 34-6943Z610                           | 1.000 EA |
| AA010139     | AA 34-6943Z610                           | 1.000 EA |
| BP5104BV01SP | CARBON BRUSH - 12 DC - MZ65              | 1.000 EA |
| BP5100       | SPRING PRESSURE BRACKET ASSY             | 2.000 EA |
| 34RK5006     | ROCKERARM ASSEMBLY MODEL 34 PM           | 1.000 EA |
| 51XF1032A08  | 10/32X1/2 HXWSHR HD, SL, TYPE F ,SERATED | 4.000 EA |
| 11XW1032G06  | 10-32 X .38, TAPTITE II, HEX WSHR SLTD U | 1.000 EA |
| HW3001B01    | 003SS CUP WASHER, FOR #8 SCREW           | 1.000 EA |
| 34EP3114A03  | FR EP, MACH MODEL 34 TENV W/EXT T-BOLTS  | 1.000 EA |
| WD4102A65    | HEYCO #2827 (B 625-500) SHORTY BUSHING   | 1.000 EA |
| HW5100A03SP  | WAVY WASHER (W1543-017)                  | 1.000 EA |
| 34CB4519     | BRUSH INSPECTION COVER                   | 2.000 EA |
| 34GS1022     | GASKET, BRUSH COVER LID, NEOPRENE NON CO | 2.000 EA |
| 51XW0832A07  | 8-32 X .44, TAPTITE II, HEX WSHR SLTD SE | 4.000 EA |
| 34EP3300A66  | PU ENDPLATE, MACH W/INTERNAL RABBET      | 1.000 EA |
| 51XN1032A20  | 10-32 X 1 1/4 HX WS SL SR                | 2.000 EA |
| 34CB4518     | CONDUIT BOX LID, STAMPED F/34P           | 1.000 EA |
| 34GS1027     | GASKET, 34P KOBX LID, CS-301 LEXIDE      | 1.000 EA |
| 51XW0832A07  | 8-32 X .44, TAPTITE II, HEX WSHR SLTD SE | 2.000 EA |
| HW2501D13SP  | KEY, 3/16 SQ X 1.375                     | 1.000 EA |
| HA7000A04    | KEY RETAINER 0.625 DIA SHAFTS            | 1.000 EA |
| MG1000G27    | PAINT- S9282E CHARCOAL GREY              | 0.014 GA |
| 10XF0440S02  | 04-40 X 1/8 TYPE F HEX HD STAINLESS STIC | 2.000 EA |
| WD1000A29    | 3-520140-4 AMP TRM=3.4M/R                | 2.000 EA |

| Parts List (continued) |  |          |
|------------------------|--|----------|
| Part Number            | Description                              | Quantity |
| HA3100A10              | THRUBOLT 10-32 X 6.250                   | 4.000 EA |
| LB1119                 | WARNING LABEL                            | 1.000 EA |
| LB1125C01              | STD (STOCK) CARTON LABEL BALDOR WITH FLA | 1.000 EA |
| LC0194                 | CONNECTION LABEL FOR TYPE PM-DC MOTOR W/ | 1.000 EA |
| NP0111L                | NP STD LASER ENGRAVED DC MOTORS, UL CSA  | 1.000 EA |
| 27PA1001               | PACKAGING GROUP                          | 1.000 EA |
| LB5040                 | INSTRUCTION TAG, AC & DC                 | 1.000 EA |

34LY6943



34LY6943

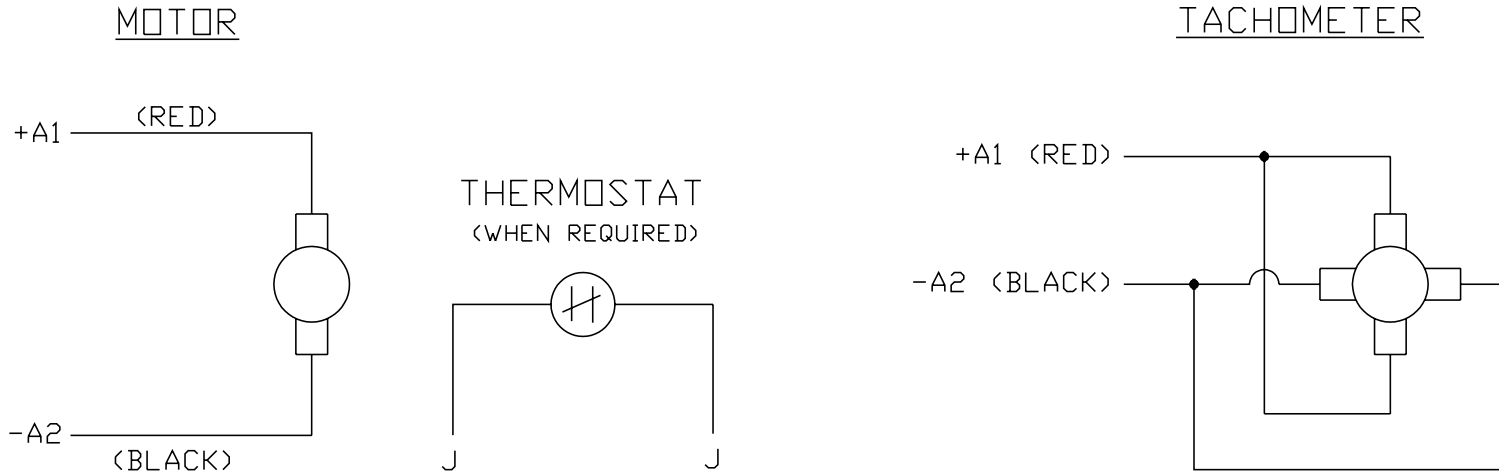
CUSTOMER IS RESPONSIBLE FOR DETERMINING THAT MOTOR PERFORMANCE IS SUITABLE IN THE APPLICATION.

|  |                              |                   |
|--|------------------------------|-------------------|
| REV. DESC: 7.19 BRUSH PAD WIDTH WAS 6.19 |                              |                   |
| REV. LTR: F                              | VERSION: 05                  | TDR: 000000406895 |
| FILE: \AAA\00097\976                     | REVISED: 15:58:01 08/31/2006 | BY: ENBUCFO       |
| MTL: -                                   |                              |                   |

**BALDOR ELECTRIC Co.**

STD HORZ 34PM NEMA 56C TENV (HI DEMAG MOTOR) LOW VOLTS

CD0194



NOTES:

1. CCW ROTATION AS SHOWN FACING COMMUTATOR END. TO REVERSE MOTOR ROTATION OR TACHOMETER OUTPUT POLARITY INTERCHANGE LEADS A1(RED) & A2(BLACK)
2. LEAD COLORS FOR REFERENCE ONLY & NOT SPECIFIED BY THIS DRAWING. LEAD COLORS SPECIFIED BY LAYOUT DRAWING & BILL OF MATERIAL ONLY.

|         |  |              |                   |
|---------|--|--------------|-------------------|
| MATL: - |  |              |                   |
| REV: E  | ADDED NOTE "LEAD COLORS FOR REFERENCE ONLY &..." |              |                   |
| CD0194  | SCALE: -   | BY: CK       | REVISED: 07/28/95 |
|         | FILE: AAA00004503                                | TDR: 0078737 |                   |

**BALDOR ELECTRIC Co.**

CD TYPE P DC PERMANENT MAGNET MOTORS AND TACHOMETERS

CD0194