

# **BALDOR**® • *RELIANCE*

## **Product Information Packet**

# **CDP3445-V12**

**1HP, 1800RPM, DC, 56C, 3435P, TEFC, 12v**

Copyright © All product information within this document is subject to Baldor Electric Company copyright © protection, unless otherwise noted.

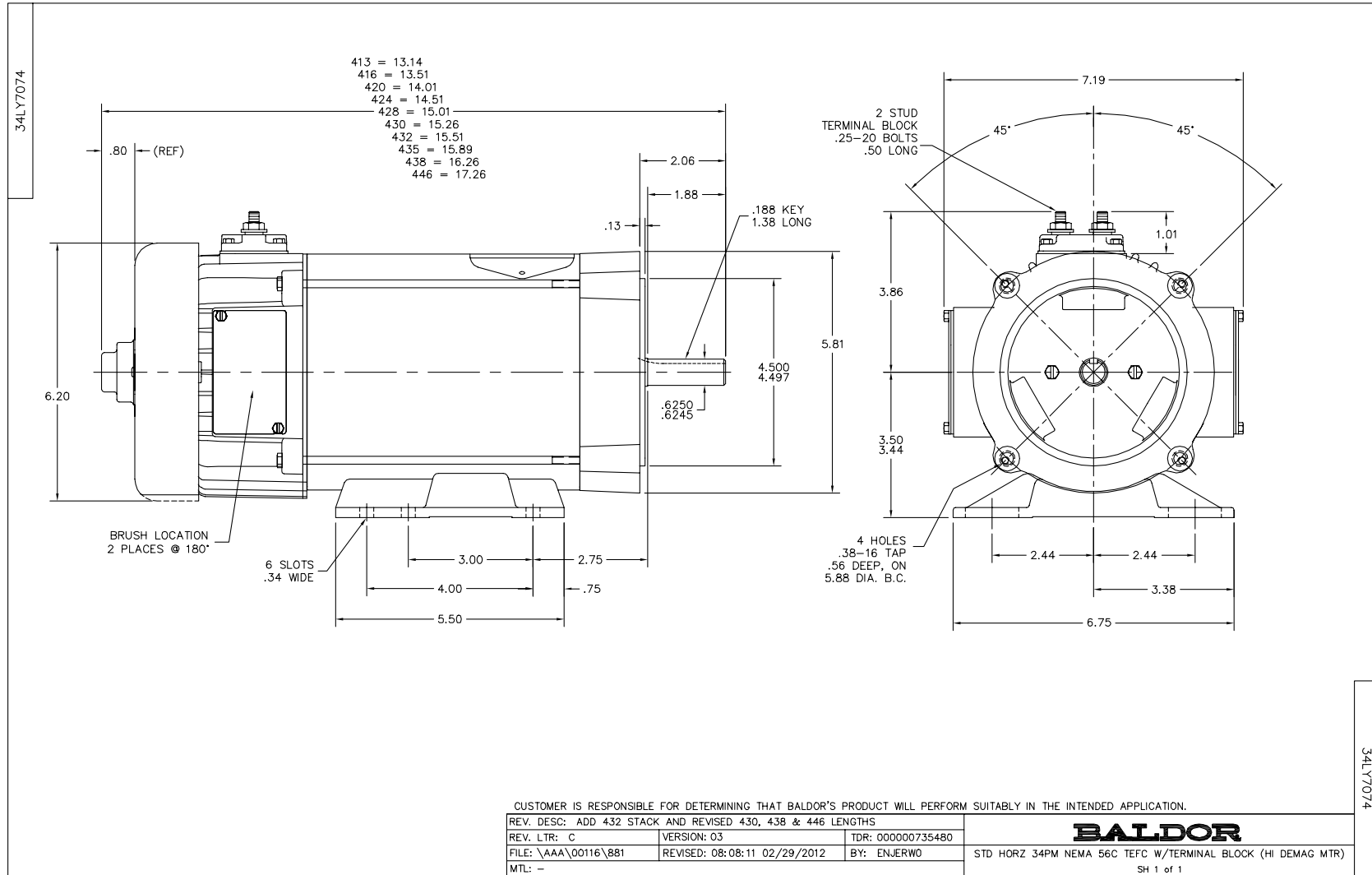
Part Detail							
Revision:	E	Status:	PRD/A	Change #:		Proprietary:	No
Type:	DC	Prod. Type:		Elec. Spec:	34WGZ621	CD Diagram:	
Enclosure:	TEFC	Mfg Plant:		Mech. Spec:	34-7074	Layout:	
Frame:	56C	Mounting:	F3	Poles:	///	Created Date:	
Base:	RG	Rotation:	R	Insulation:	H	Eff. Date:	03-15-2012
Field Type:		Literature:		Elec. Diagram:		Replaced By:	

**Nameplate NP0111L**

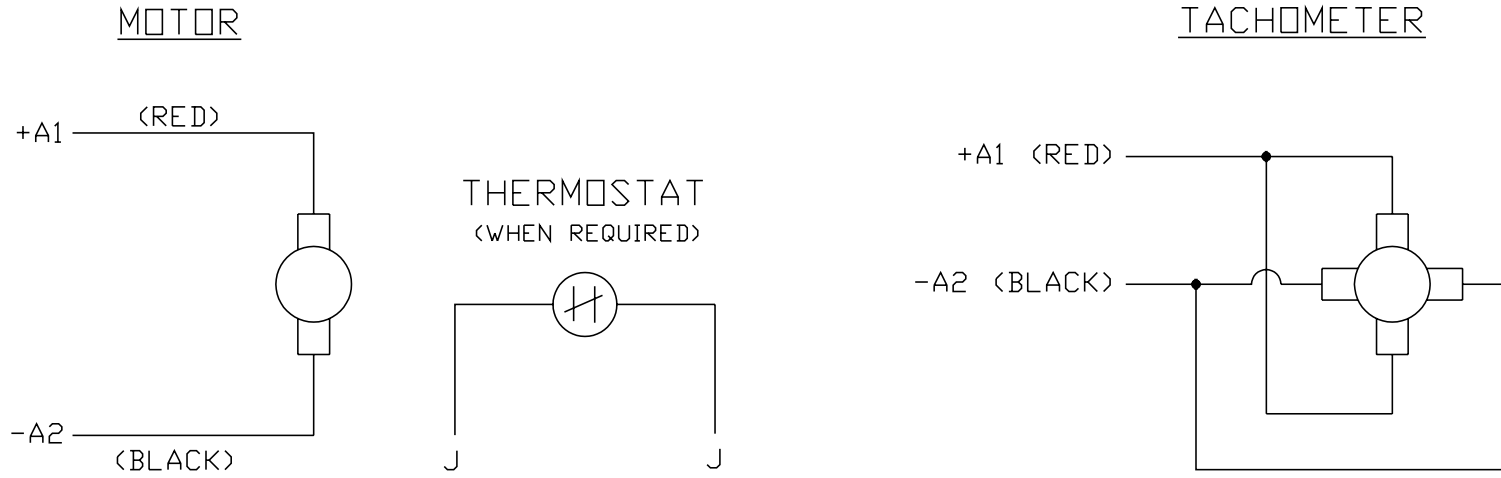
CAT.NO.	CDP3445-V12						
SPEC.	34-7074Z621G1						
HP	1					ENCL	TEFC
RPM	1800						
FRAME	56C					TYPE	3435P
ARM V	12					ARM A	85.6
FLD V						FLD A	
INSUL	H					AMB.	40
DUTY	CONT					SUPPLY	A
BRG/DE	6203					BRG/ODE	6203
BRUSHES	2/BP5112AU01						
						BLANK	
SER.							
BLANK							
APRV-CSA					APRV-UL		

Parts List		
Part Number	Description	Quantity
SA116150	SA 34-7074Z621G1	1.000 EA
AA010379	AA 34-7074Z621G1	1.000 EA
BP5112AU01	CARBON BRUSH - 12 DC - MZ75	2.000 EA
BP5100	SPRING PRESSURE BRACKET ASSY	2.000 EA
34RK5006A01	ROCKERARM ASSEMBLY MODEL 34 PM	1.000 EA
51XF1032A08	10/32X1/2 HXWSHR HD, SL, TYPE F ,SERATED	4.000 EA
86XN0832B06	8-32X3/8 BIND HD MACH,BRA	2.000 EA
HW1001B08	WASHER, #8 SPLT LD, BR	2.000 EA
WD1349	TERMINAL BLOCK, 2 STUD .25-20 BOLT	1.000 EA
34GS1023	GASKET, STRAIN RELIEF PLATE - CS-301 LEX	1.000 EA
51XW0832A07	8-32 X .44, TAPTITE II, HEX WSHR SLTD SE	4.000 EA
XY2520B12	1/4-20 BRASS NUT	4.000 EA
HW1000B25	1/4 SAE FL WASHER NARROW ID=.281 OD=.625	6.000 EA
34EP3112A03	FR EP, MACH MODEL 34 ENCL	1.000 EA
HW5100A03SP	WAVY WASHER (W1543-017)	1.000 EA
34CB4519	BRUSH INSPECTION COVER	2.000 EA
34GS1022	GASKET, BRUSH COVER LID, NEOPRENE NON CO	2.000 EA
51XW0832A07	8-32 X .44, TAPTITE II, HEX WSHR SLTD SE	4.000 EA
34EP3300A66	PU ENDPLATE, MACH W/INTERNAL RABBET	1.000 EA
51XN1032A20	10-32 X 1 1/4 HX WS SL SR	2.000 EA
34FN3002A01SP	EXTERNAL FAN, PLASTIC, .637/.639 HUB W/	1.000 EA
34FH5002A09	FAN COVER ASSY W/SHAFT COVER, ROTATED DI	1.000 EA
51XW1032A06	10-32 X .38, TAPTITE II, HEX WSHR SLTD S	3.000 EA
HW2501D13SP	KEY, 3/16 SQ X 1.375	1.000 EA

Parts List (continued)		
Part Number	Description	Quantity
HA7000A04	KEY RETAINER 0.625 DIA SHAFTS	1.000 EA
LD5000B14	LEAD ASSY, ML1400B08 W/#10 & .25 RING TE	1.000 EA
LB9000A51	LEAD MARKER - "A1" X	4.000 SH
LB9000A52	LEAD MARKER - "A2" 47751	4.000 SH
LD5000B14	LEAD ASSY, ML1400B08 W/#10 & .25 RING TE	1.000 EA
MG1000G27	PAINT- S9282E CHARCOAL GREY	0.014 GA
10XF0440S02	04-40 X 1/8 TYPE F HEX HD STAINLESS STIC	2.000 EA
HA3100A56	THRUBOLT 10-32 X 8.625	4.000 EA
LB5040	INSTRUCTION TAG, AC & DC	1.000 EA
LB1119	WARNING LABEL	1.000 EA
LB1172A01	CUSTOM MTR CARTON LABEL LASER PRINTER	1.000 EA
LC0194	CONNECTION LABEL FOR TYPE PM-DC MOTOR W/	1.000 EA
NP0111L	NP STD LASER ENGRAVED DC MOTORS, UL CSA	1.000 EA
35PA1007	PACKAGING GROUP	1.000 EA



CD0194



NOTES:

1. CCW ROTATION AS SHOWN FACING COMMUTATOR END. TO REVERSE MOTOR ROTATION OR TACHOMETER OUTPUT POLARITY INTERCHANGE LEADS A1(RED) & A2(BLACK)
2. LEAD COLORS FOR REFERENCE ONLY & NOT SPECIFIED BY THIS DRAWING. LEAD COLORS SPECIFIED BY LAYOUT DRAWING & BILL OF MATERIAL ONLY.

MATL: -			
REV: E	ADDED NOTE "LEAD COLORS FOR REFERENCE ONLY &..."		
CD0194	SCALE: -	BY: CK	REVISED: 07/28/95
	FILE: AAA00004503	TDR: 0078737	

**BALDOR ELECTRIC Co.**

CD TYPE P DC PERMANENT MAGNET MOTORS AND TACHOMETERS

CD0194