

BALDOR® • *RELIANCE*

Product Information Packet

CDP3450

1HP,2500RPM,DC,56C,3428P,TEFC,F1

Copyright © All product information within this document is subject to Baldor Electric Company copyright © protection, unless otherwise noted.

Part Detail							
Revision:	U	Status:	PRD/A	Change #:		Proprietary:	No
Type:	DC	Prod. Type:		Elec. Spec:	34WG3763	CD Diagram:	
Enclosure:	TEFC	Mfg Plant:		Mech. Spec:	34-5990	Layout:	
Frame:	56C	Mounting:	F1	Poles:	///	Created Date:	
Base:	RG	Rotation:	R	Insulation:	F	Eff. Date:	04-28-2011
Field Type:		Literature:		Elec. Diagram:		Replaced By:	

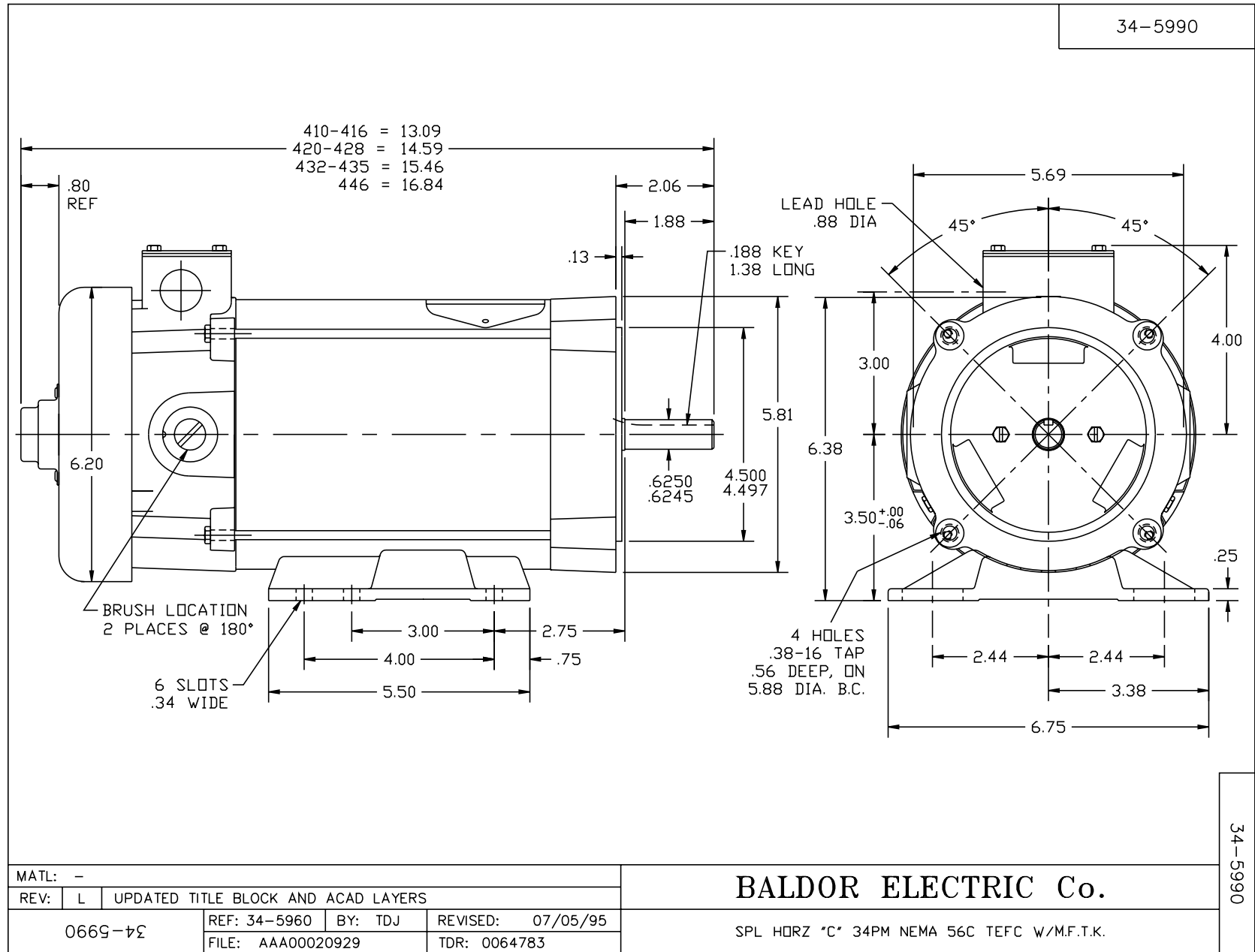
Nameplate NP0891L

CAT.NO.	CDP3450							
SPEC.	34-5990-3763							
HP	1	ENCL			TEFC			
RPM	2500							
FRAME	56C	TYPE			3428P			
ARM V	90	ARM A			9.7			
FLD V		FLD A						
INSUL	F	AMB.			40			
DUTY	CONT	SUPPLY			1.5			
BRG/DE	6203	BRG/ODE			6203			
BRUSHES	2/BP5000BK08							
	BLANK			IP44				
SER.								
BLANK								
APRV-CE	Y	APRV-CSA			Y	APRV-UL		Y

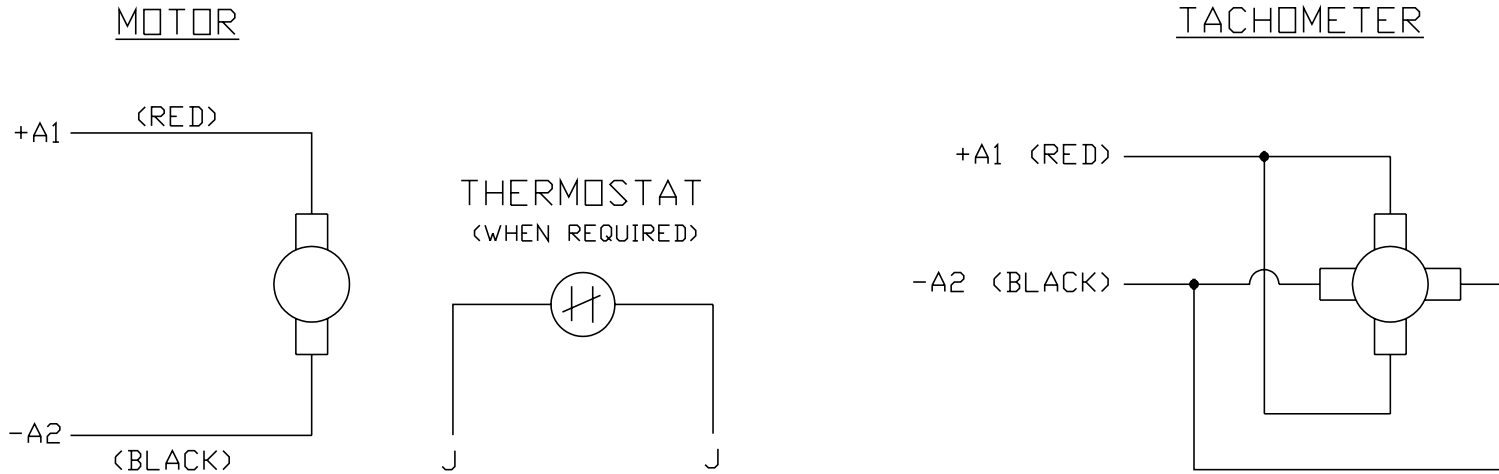
Parts List		
Part Number	Description	Quantity
SA005239	SA 34-5990-3763	1.000 EA
AA002888	AA 34-5990-3763	1.000 EA
BP5000BK08SP	CARBON BRUSH - GRADE SA-35	1.000 EA
HA3210B66	.125 DIA X .281 (AUTO)	2.000 EA
11XW1032G06	10-32 X .38, TAPTITE II, HEX WSHR SLTD U	1.000 EA
34EP3103B01	FR ENDPLATE, MACH	1.000 EA
WD4100A17	PLUG STIMPSON D4036	1.000 EA
HW5100A03SP	WAVY WASHER (W1543-017)	1.000 EA
34EP3300A29	PU ENDPLATE, MACH	1.000 EA
51XN1032A20	10-32 X 1 1/4 HX WS SL SR	2.000 EA
BP5201A11SP	BRUSH HOLDER ASSY W/BP4511A01 & BP3000A0	1.000 EA
80XN1032A03	10-32 X 3/16 SET SCREW	2.000 EA
34FN3002A01SP	EXTERNAL FAN, PLASTIC, .637/.639 HUB W/	1.000 EA
34FH5002A01SP	FAN COVER ASSY W/SHAFT COVER	1.000 EA
51XW1032A06	10-32 X .38, TAPTITE II, HEX WSHR SLTD S	3.000 EA
WD4102A01	SR-6L-1 HEYCO STRN RELIEF OR 23MPO6L10 M	1.000 EA
34CB4504SP	CONDUIT BOX LID, STAMPED	1.000 EA
34GS1011SP	GASKET, CONDUIT BOX LID	1.000 EA
51XW0832A07	8-32 X .44, TAPTITE II, HEX WSHR SLTD SE	2.000 EA
HW2501D13SP	KEY, 3/16 SQ X 1.375	1.000 EA
HA7000A04	KEY RETAINER 0.625 DIA SHAFTS	1.000 EA
HW3001B02	BRASS CUP WASHER W/GROUND SYMBOL TAB,	1.000 EA
MG1000G27	PAINT- S9282E CHARCOAL GREY	0.014 GA
MJ5004A70	603 LOCTITE LOCC	0.001 EA

Parts List (continued)		
Part Number	Description	Quantity
10XF0440S02	04-40 X 1/8 TYPE F HEX HD STAINLESS STIC	2.000 EA
ML1424B14	UL3321,150C,14 GA,BLACK, #A1	8.500 IN
ML1425B14	UL3321,150C,14 GA,BLACK, #A2	8.500 IN
HA3100A47	THRUBOLT 10-32 X 7.625	4.000 EA
LB5040	INSTRUCTION TAG, AC & DC	1.000 EA
LB1125C01	STD (STOCK) CARTON LABEL BALDOR WITH FLA	1.000 EA
LB1119	WARNING LABEL	1.000 EA
LC0194	CONNECTION LABEL FOR TYPE PM-DC MOTOR W/	1.000 EA
NP0891L	NP STD LASER ENGRAVED DC MTRS, UL CSA CE	1.000 EA
27PA1001	PACKAGING GROUP	1.000 EA

Accessories		
Part Number	Description	Multiplier
TK3400	TACHO MOUNTING KIT FOR TK3400	A8
TK3400-HPU	HPU10 MOUNTING KIT 34P/35P TEFC	A8



CD0194



NOTES:

1. CCW ROTATION AS SHOWN FACING COMMUTATOR END. TO REVERSE MOTOR ROTATION OR TACHOMETER OUTPUT POLARITY INTERCHANGE LEADS A1(RED) & A2(BLACK)
2. LEAD COLORS FOR REFERENCE ONLY & NOT SPECIFIED BY THIS DRAWING. LEAD COLORS SPECIFIED BY LAYOUT DRAWING & BILL OF MATERIAL ONLY.

MATL: -			
REV: E	ADDED NOTE "LEAD COLORS FOR REFERENCE ONLY &..."		
CD0194	SCALE: -	BY: CK	REVISED: 07/28/95
	FILE: AAA00004503	TDR: 0078737	

BALDOR ELECTRIC Co.

CD TYPE P DC PERMANENT MAGNET MOTORS AND TACHOMETERS

CD0194