

BALDOR® • *RELIANCE*

Product Information Packet

CDP3603

3HP, 1750RPM, DC, 184TC, 3649P, TEFC, F1

Copyright © All product information within this document is subject to Baldor Electric Company copyright © protection, unless otherwise noted.

Part Detail							
Revision:	P	Status:	PRD/A	Change #:		Proprietary:	No
Type:	DC	Prod. Type:		Elec. Spec:	36WGZ507	CD Diagram:	
Enclosure:	TEFC	Mfg Plant:		Mech. Spec:	36P181	Layout:	
Frame:	184TC	Mounting:	F1	Poles:	///	Created Date:	
Base:	RG	Rotation:	R	Insulation:	F	Eff. Date:	04-05-2012
Field Type:		Literature:		Elec. Diagram:		Replaced By:	

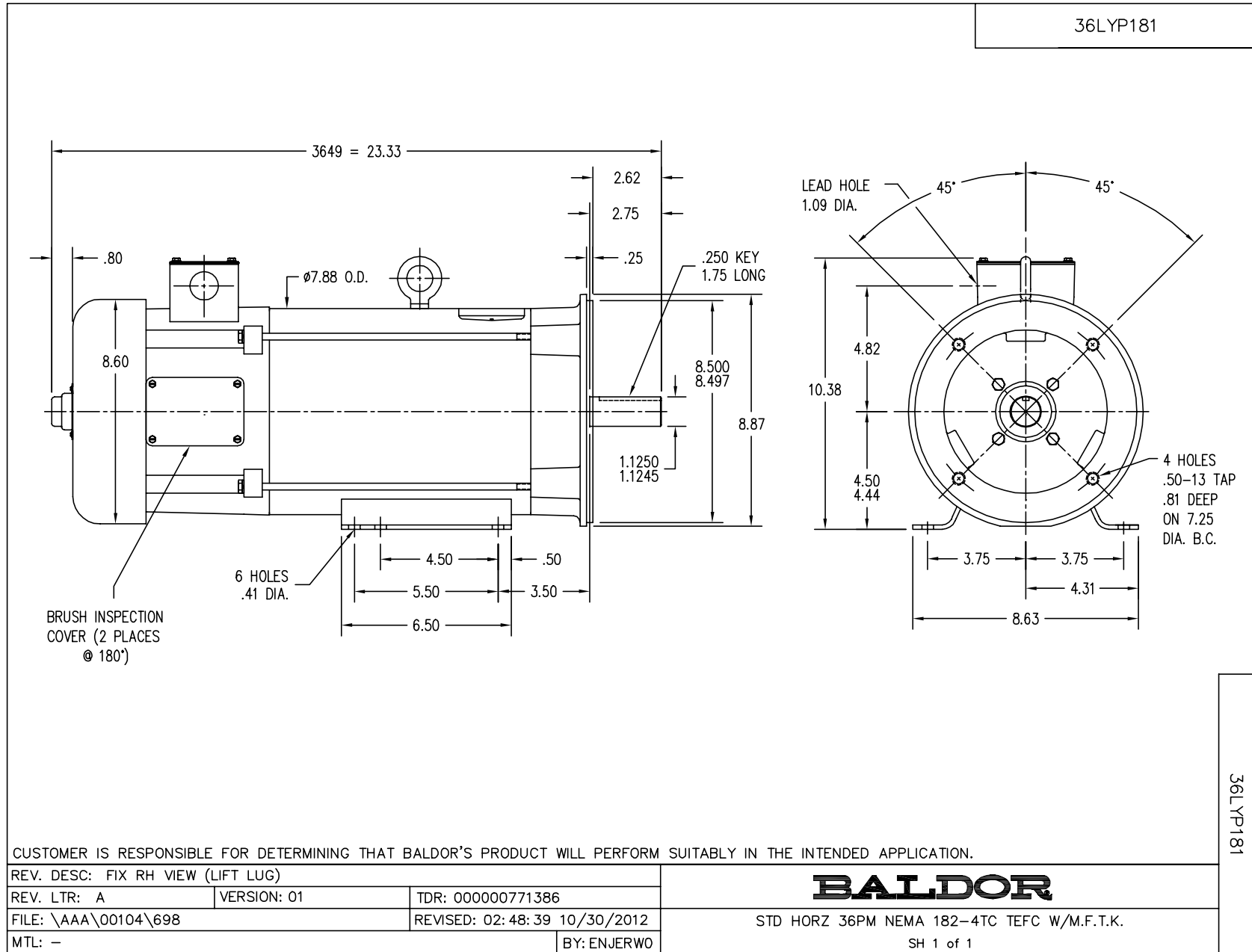
Nameplate NP1418L

CAT.NO.	CDP3603							
SPEC.	36P181Z507							
HP	3	ENCL			TEFC			
RPM	1750							
FRAME	184TC	TYPE			3649P			
ARM V	180	ARM A			14			
FLD V		FLD A						
INSUL	F	AMB.			40			
DUTY	CONT	SUPPLY			K			
BRG/DE	6206	BRG/ODE			6206			
BRUSHES	2/BP5031A01							
		BLANK						
SER.								
BLANK								
APRV-CE	Y	APRV-CSA			Y	APRV-UL		N

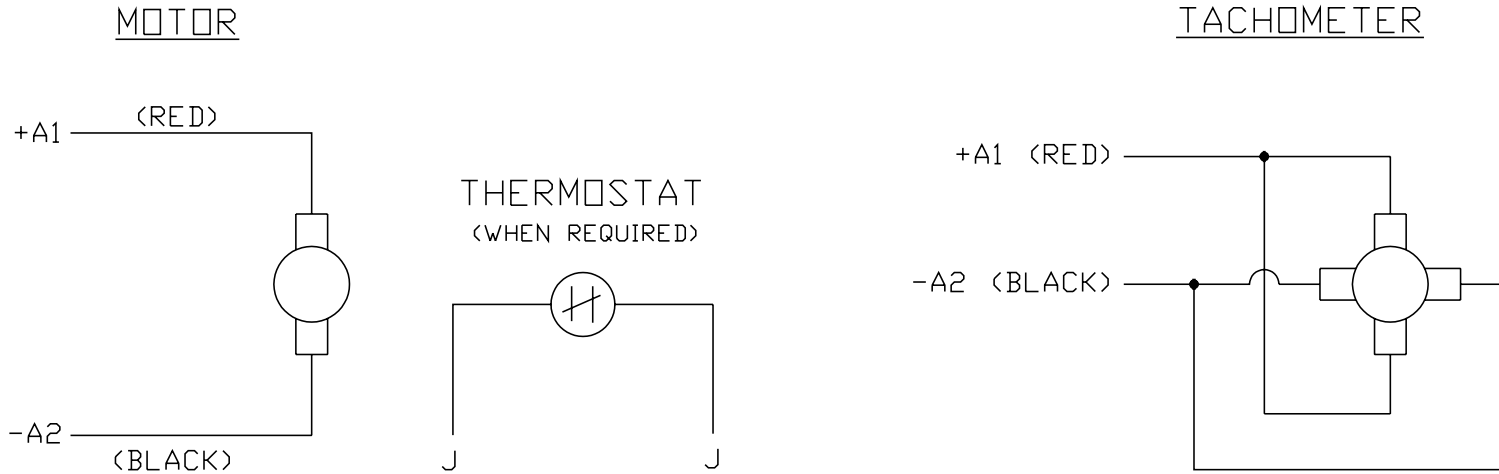
Parts List		
Part Number	Description	Quantity
SA100585	SA 36P181Z507	1.000 EA
AA009214	AA 36P181Z507	1.000 EA
HW3201A05	3/8-16 EYEBOLT	1.000 EA
19XM3118A08	5/16-18X1/2 HX HD ROLL FM#93882A578 MCMA	4.000 EA
36CB3000SP	CONDUIT BOX, CAST	1.000 EA
36GS1000SP	GASKET-CONDUIT BOX, .06 THICK #SV-330 LE	1.000 EA
51XB1016A07	10-16 X 7/16 HXWSSLD SERTYB	2.000 EA
11XW1032G06	10-32 X .38, TAPTITE II, HEX WSHR SLTD U	1.000 EA
HW3001B01	003SS CUP WASHER, FOR #8 SCREW	1.000 EA
36EP3402A03	SPL FR. E.P. MACH'G 36PM FOR (681P) STAC	1.000 EA
26XW1032A08	10-32 X 1/2 PHILLIPS HEAD TAPTITE-II (SI	4.000 EA
HW5100A06	W2420-025 WVY WSHR (WB)	1.000 EA
36EP3302A01	STD PU ENDPLATE #206 BRG 182TC-184TC 36P	1.000 EA
10XN2520A28	1/4-20X 1 3/4 HEX HD	4.000 EA
HW1001A25	LOCKWASHER 1/4, ZINC PLT .493 OD, .255 I	4.000 EA
36FN3000A01SP	EXFN, PLASTIC, 7.00 OD, .912 ID	1.000 EA
51XB1214A16	12-14X1.00 HXWSSLD SERTYB	1.000 EA
36FH5000A11	FAN COVER/TACH. ACC. ASSY.08 45823107	1.000 EA
51XW1032A06	10-32 X .38, TAPTITE II, HEX WSHR SLTD S	3.000 EA
35CB4514	35 LIPPED CB LID	1.000 EA
36GS1001A08	GASKET - CONDUIT BOX LID 36 FRAME	1.000 EA
51XW0832A07	8-32 X .44, TAPTITE II, HEX WSHR SLTD SE	4.000 EA
36CB4500SP	CONDUIT BOX LID, STAMPED	2.000 EA
36GS1001A08	GASKET - CONDUIT BOX LID 36 FRAME	2.000 EA

Parts List (continued)		
Part Number	Description	Quantity
51XW0832A07	8-32 X .44, TAPTITE II, HEX WSHR SLTD SE	8.000 EA
HW2501E16	3KEY, 1/4 SQ X 1.750	1.000 EA
HA7000A02	KEY RETAINER RING, 1 1/8 DIA, 1 3/8 DIA	1.000 EA
LB1115	LABEL,LIFTING DEVICE	1.000 EA
MG1000G27	PAINT- S9282E CHARCOAL GREY	0.019 GA
85XU0409A04	4X1/4 U DRIVE PIN/85xu0407a04	2.000 EA
NP1418L	NP STD LASER ENGRAVED DC MOTORS, CSA CE	1.000 EA
LB5040	INSTRUCTION TAG, AC & DC	1.000 EA
MG5010A01	TRICKLE VARNISH (PEDIGREE 600 S)	0.005 GA
MG5010Z01	488 (TPB) CATALYST	0.001 LB
36RK5009A01	ROCKERARM ASSY, GRADE E45	1.000 EA
WD1000D04	TERMINAL, NON-INS RING, 12-10 GA, #10 BO	2.000 EA
HA3101A42	THRUBOLT 1/4-20 X 11.500 DEMBY	4.000 EA
LC0194	CONNECTION LABEL FOR TYPE PM-DC MOTOR W/	1.000 EA
LB1172A01	CUSTOM MTR CARTON LABEL LASER PRINTER	1.000 EA
LB1119	WARNING LABEL	1.000 EA
36PA1062	PACKAGING GROUP	1.000 EA

Accessories		
Part Number	Description	Multiplier
TK3600PM	TACHO MOUNTING KIT FOR TK3600PM	A8



CD0194



NOTES:

1. CCW ROTATION AS SHOWN FACING COMMUTATOR END. TO REVERSE MOTOR ROTATION OR TACHOMETER OUTPUT POLARITY INTERCHANGE LEADS A1(RED) & A2(BLACK)
2. LEAD COLORS FOR REFERENCE ONLY & NOT SPECIFIED BY THIS DRAWING. LEAD COLORS SPECIFIED BY LAYOUT DRAWING & BILL OF MATERIAL ONLY.

MATL: -			
REV: E	ADDED NOTE "LEAD COLORS FOR REFERENCE ONLY &..."		
761000	SCALE: -	BY: CK	REVISED: 07/28/95
	FILE: AAA00004503	TDR: 0078737	

BALDOR ELECTRIC Co.

CD TYPE P DC PERMANENT MAGNET MOTORS AND TACHOMETERS

CD0194