

BALDOR® • ***RELIANCE***

Product Information Packet

CDPT3310

.25HP, 1750RPM, DC, 56C, 3320P, TENV, F1

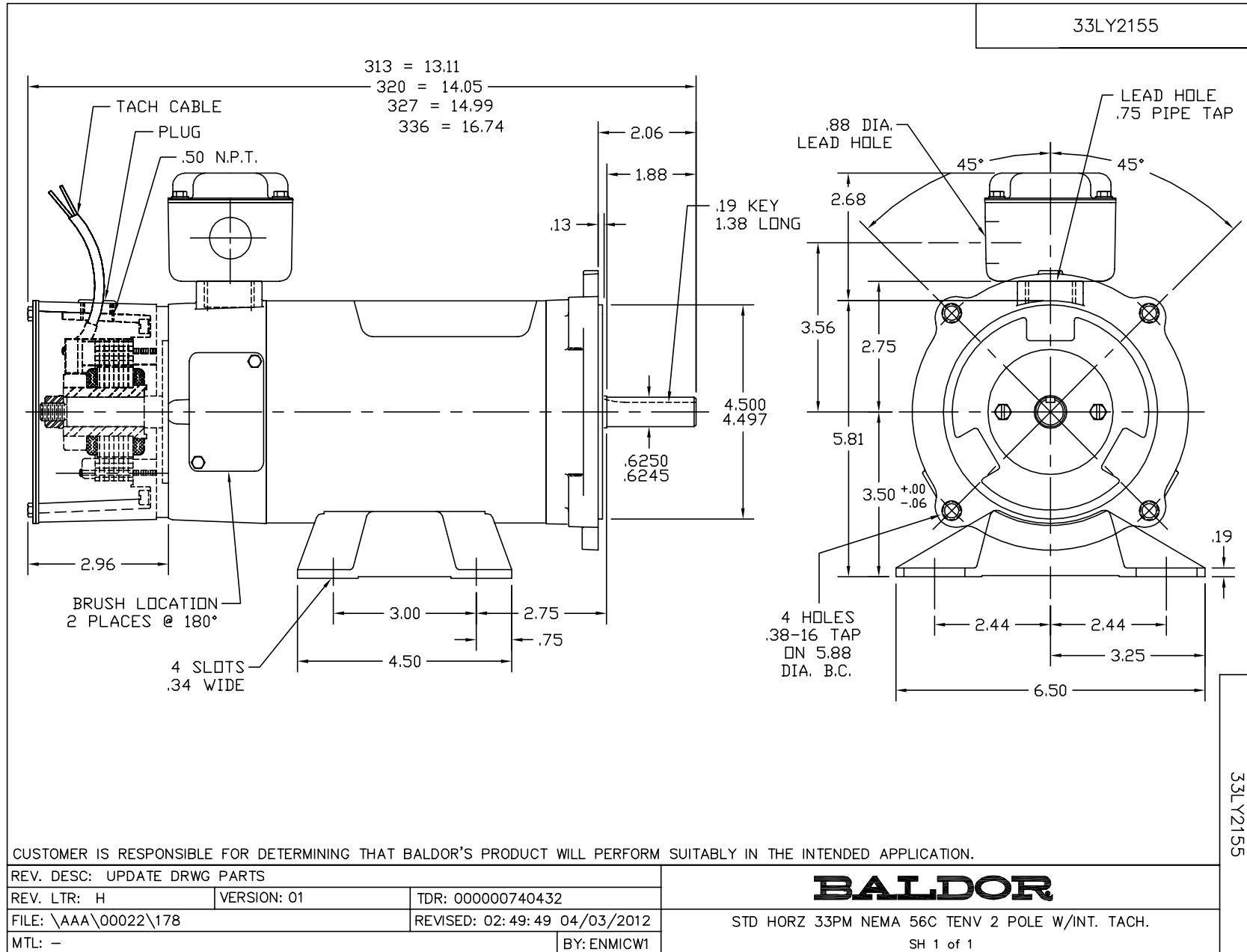
Copyright © All product information within this document is subject to Baldor Electric Company copyright © protection, unless otherwise noted.

Part Detail							
Revision:	K	Status:	PRD/A	Change #:		Proprietary:	No
Type:	DC	Prod. Type:		Elec. Spec:	33WGZ118	CD Diagram:	
Enclosure:	TENV	Mfg Plant:		Mech. Spec:	33-2155	Layout:	
Frame:	56C	Mounting:	F1	Poles:	///	Created Date:	
Base:	RG	Rotation:	R	Insulation:	F	Eff. Date:	05-07-2012
Field Type:		Literature:		Elec. Diagram:		Replaced By:	

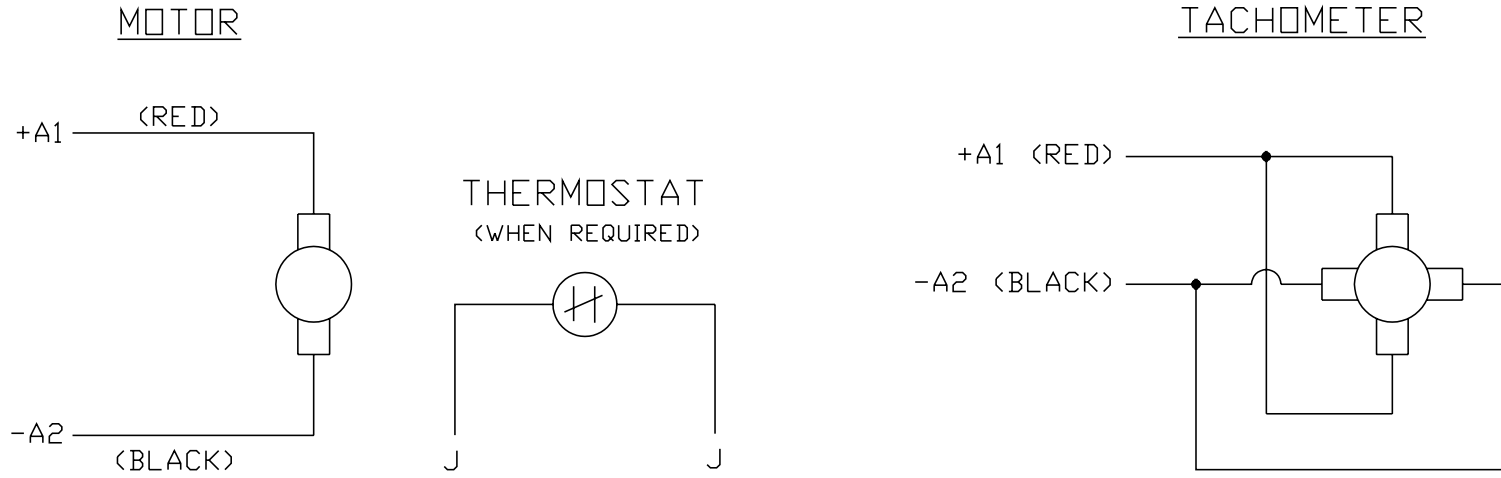
Nameplate NP0891L							
CAT.NO.	CDPT3310						
SPEC.	33-2155Z118						
HP	.25	ENCL			TENV		
RPM	1750						
FRAME	56C	TYPE			3320P		
ARM V	90	ARM A			2.5		
FLD V		FLD A					
INSUL	F	AMB.			40		
DUTY	CONT	SUPPLY			1.3		
BRG/DE	6203	BRG/ODE			6203		
BRUSHES	2/BP5011T01						
		BLANK			IP44		
SER.							
BLANK							
APRV-CE	Y	APRV-CSA			Y	APRV-UL	
						Y	

Parts List		
Part Number	Description	Quantity
SA005103	SA 33-2155Z118	1.000 EA
AA002752	AA 33-2155Z118	1.000 EA
BP5011T01SP	CARBON BRUSH - 33P, 90V	1.000 EA
BP5012A04SP	BRUSH SPRING FOR DC MOTORS	1.000 EA
33CB5000A03	33P BOX & LEAD ASSY	1.000 EA
33GS1006A01	GASKET CONDUIT BOX (LEXIDE)	1.000 EA
51XT0832A08	8-32 X 1/2 TY23 HXWS SLDSR	3.000 EA
51XW0832G07	8-32 X 7/16 TY23 HXWS SLDSR GR	1.000 EA
51XW0832A07	8-32 X .44, TAPTITE II, HEX WSHR SLTD SE	4.000 EA
33EP3101A04	FR ENDPLATE, MACH	1.000 EA
HA6340A01	TG-300 TACH. ADAPTER MACH'D FOR 33 FRAME	1.000 EA
84XN2520J12	1/4-20 X 3/4 SOC.HD CAP SCR	4.000 EA
HW1001A25	LOCKWASHER 1/4, ZINC PLT .493 OD, .255 I	4.000 EA
33CB4507	COVER- 33 TACH. ADAP(CLOWTDR 10478 ORDER	1.000 EA
33GS5000	GASKET-COVER 33 TACH ADAPTER	1.000 EA
51XW0832A07	8-32 X .44, TAPTITE II, HEX WSHR SLTD SE	3.000 EA
XY3824A12	.375-24 UNF-2B HEX NUT	1.000 EA
HW1001A38	LOCKWASHER 3/8, ZINC PLT .688 OD, .382 I	1.000 EA
HW1000A38	WASHER, 3/8" FLAT, SAE Z/P	1.000 EA
18XN0632A16	FLAT HEAD SCREW	2.000 EA
12XN0440A12	4-40X.750 SLOTTED HEX HD CAP ZN	2.000 EA
HW1001A04	WASHER, #4 SPLT LK ZINC	2.000 EA
WD4100A26	HEYCO UNIVERSAL BUSHING P/N 2089, MTG HO	1.000 EA
33CB4501A01SP	BRUSH INSPECTION COVER	2.000 EA

Parts List (continued)		
Part Number	Description	Quantity
33GS1005A01SP	GASKET, BRUSH INSP. COVERELECTRICLY NON-	2.000 EA
51XW0832A07	8-32 X .44, TAPTITE II, HEX WSHR SLTD SE	4.000 EA
HW5100A03SP	WAVY WASHER (W1543-017)	1.000 EA
33EP3302A10	PU ENDPLATE, MACH	1.000 EA
51XN1032A20	10-32 X 1 1/4 HX WS SL SR	2.000 EA
WD4102A12	SR 6P-4 HEYCO STRN RELIEF OR 23MP06P40 M	1.000 EA
34CB4512	34 CB LID	1.000 EA
34GS1001	GASKET, STD CONDUIT BOX LID (LEXIDE)	1.000 EA
51XW0832A07	8-32 X .44, TAPTITE II, HEX WSHR SLTD SE	4.000 EA
HW2501D13SP	KEY, 3/16 SQ X 1.375	1.000 EA
HA7000A04	KEY RETAINER 0.625 DIA SHAFTS	1.000 EA
HW3001B02	BRASS CUP WASHER W/GROUND SYMBOL TAB,	1.000 EA
X3B003Z029	TACH TG-300 50V .625BORE W/NOTCH CW	1.000 EA
MG1000G27	PAINT- S9282E CHARCOAL GREY	0.013 GA
10XF0440S02	04-40 X 1/8 TYPE F HEX HD STAINLESS STIC	2.000 EA
33RK5004SP	ROCKERARM	1.000 EA
HA3100S01	THRUBOLT- 10-32 X 8.187 302 OR 303 SS	2.000 EA
LB1125C01	STD (STOCK) CARTON LABEL BALDOR WITH FLA	1.000 EA
LB5040	INSTRUCTION TAG, AC & DC	1.000 EA
LB1119	WARNING LABEL	1.000 EA
LC0194	CONNECTION LABEL FOR TYPE PM-DC MOTOR W/	1.000 EA
NP0891L	NP STD LASER ENGRAVED DC MTRS, UL CSA CE	1.000 EA
27PA1001	PACKAGING GROUP	1.000 EA



CD0194



NOTES:

1. CCW ROTATION AS SHOWN FACING COMMUTATOR END. TO REVERSE MOTOR ROTATION OR TACHOMETER OUTPUT POLARITY INTERCHANGE LEADS A1<RED> & A2<BLACK>
2. LEAD COLORS FOR REFERENCE ONLY & NOT SPECIFIED BY THIS DRAWING. LEAD COLORS SPECIFIED BY LAYOUT DRAWING & BILL OF MATERIAL ONLY.

MATL: -			
REV: E	ADDED NOTE "LEAD COLORS FOR REFERENCE ONLY &..."		
761000	SCALE: -	BY: CK	REVISED: 07/28/95
	FILE: AAA00004503		TDR: 0078737

BALDOR ELECTRIC Co.

CD TYPE P DC PERMANENT MAGNET MOTORS AND TACHOMETERS

CD0194