

# **BALDOR**® • *RELIANCE*

## **Product Information Packet**

# **CDPT3605**

**5HP,1750RPM,DC,1810ATC,3681P,TEFC,F1**

Copyright © All product information within this document is subject to Baldor Electric Company copyright © protection, unless otherwise noted.

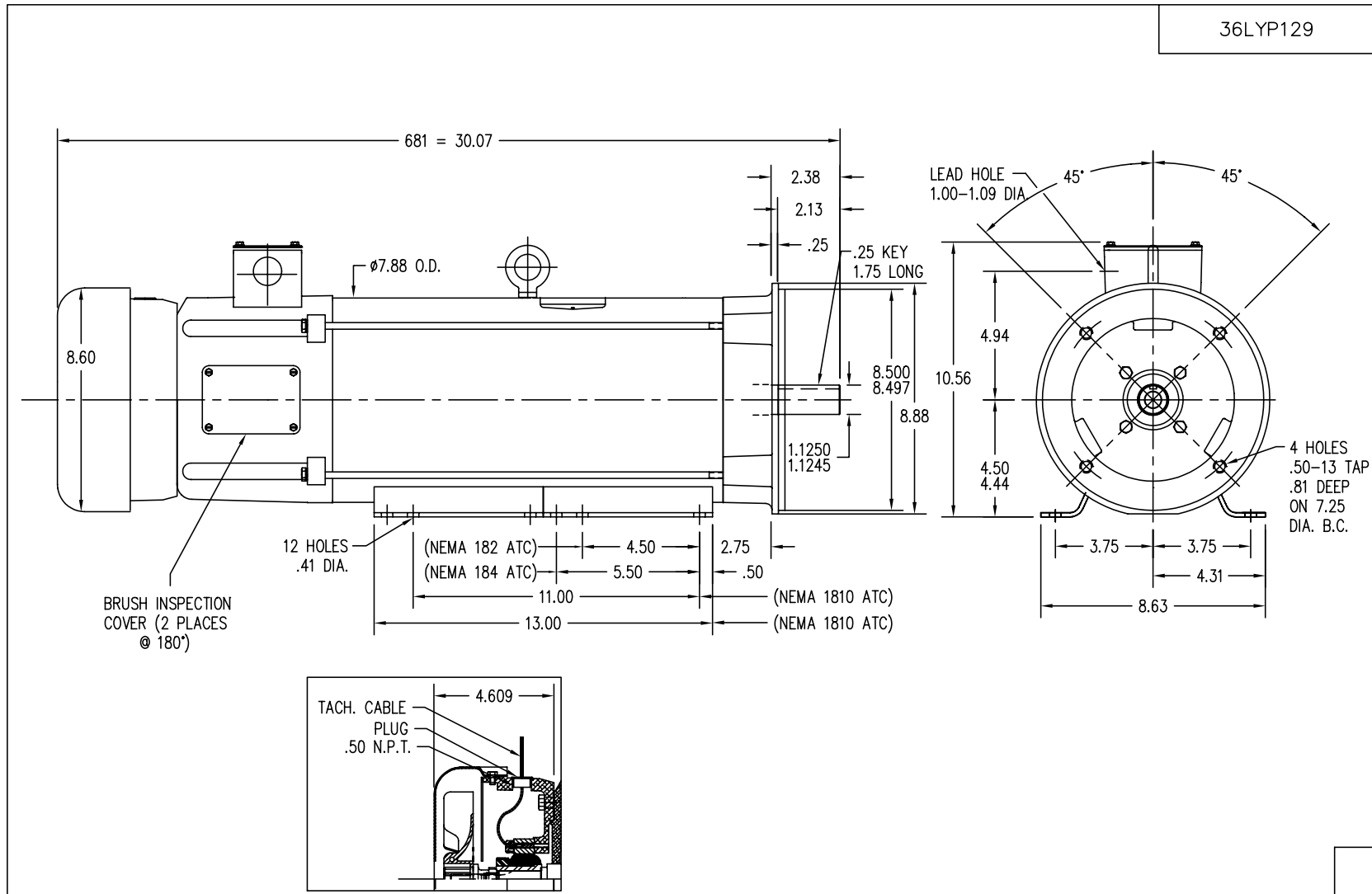
Part Detail							
Revision:	AD	Status:	PRD/A	Change #:		Proprietary:	No
Type:	DC	Prod. Type:		Elec. Spec:	36WGZ509	CD Diagram:	
Enclosure:	TEFC	Mfg Plant:		Mech. Spec:	36P129	Layout:	
Frame:	1810ATC	Mounting:	F1	Poles:	///	Created Date:	
Base:	RG	Rotation:	R	Insulation:	F	Eff. Date:	10-20-2008
Field Type:		Literature:		Elec. Diagram:		Replaced By:	

Nameplate NP1418L								
CAT.NO.	CDPT3605							
SPEC.	36P129Z509							
HP	5	ENCL			TEFC			
RPM	1750							
FRAME	1810ATC	TYPE			3681P			
ARM V	180	ARM A			24.5			
FLD V		FLD A						
INSUL	F	AMB.			40C			
DUTY	CONT	SUPPLY			K			
BRG/DE	6206	BRG/ODE			6206			
BRUSHES	2/BP5027A01							
		BLANK						
SER.								
BLANK								
APRV-CE	Y	APRV-CSA			Y	APRV-UL		N

Parts List		
Part Number	Description	Quantity
SA043653	SA 36P129Z509	1.000 EA
AA005128	AA 36P129Z509	1.000 EA
BP5027A01SP	BRUSH ASSY, GRADE E45 180 VOLTS	1.000 EA
BP5028	BRUSH SPRING FOR 36DC/PM MOTORS	2.000 EA
HW3201A05	3/8-16 EYEBOLT	1.000 EA
19XM3118A08	5/16-18X1/2 HX HD ROLL FM#93882A578 MCMA	8.000 EA
36CB3000SP	CONDUIT BOX, CAST	1.000 EA
36GS1000SP	GASKET-CONDUIT BOX, .06 THICK #SV-330 LE	1.000 EA
51XB1016A07	10-16 X 7/16 HXWSSLD SERTYB	2.000 EA
11XW1032G06	10-32 X .38, TAPTITE II, HEX WSHR SLTD U	1.000 EA
36EP3402A05	SPL FR. E.P. TEFC 36PM FOR TACH ADATER M	1.000 EA
26XW1032A08	10-32 X 1/2 PHILLIPS HEAD TAPTITE-II (SI	4.000 EA
HA6343A01	TG-300 TACH. ADAPTER MACH'D FOR 36 FRAME	1.000 EA
84XN3816J12	3/8-16X 3/4 SOCK HD, BK OX	4.000 EA
HW1001A38	LOCKWASHER 3/8, ZINC PLT .688 OD, .382 I	4.000 EA
18XN0632A16	FLAT HEAD SCREW	2.000 EA
14XN0440A08	4-40X.500 ROUND HEAD SLOTTED SCREW	2.000 EA
36CB4508	COVER 36 TACH ADAPTER	1.000 EA
36GS5003	GASKET-COVER 36 TACH ADAPTER	1.000 EA
51XW0832A07	8-32 X .44, TAPTITE II, HEX WSHR SLTD SE	1.000 EA
HA6346A02	SHAFT ADAPTER,MD 36,TG200&TG300 TACH,A=2	1.000 EA
HW1005W01	IOCKWASHER, 201 BEARING MO	1.000 EA
WD4100A26	HEYCO UNIVERSAL BUSHING P/N 2089, MTG HO	1.000 EA
HW5100A06	W2420-025 WVY WSHR (WB)	1.000 EA

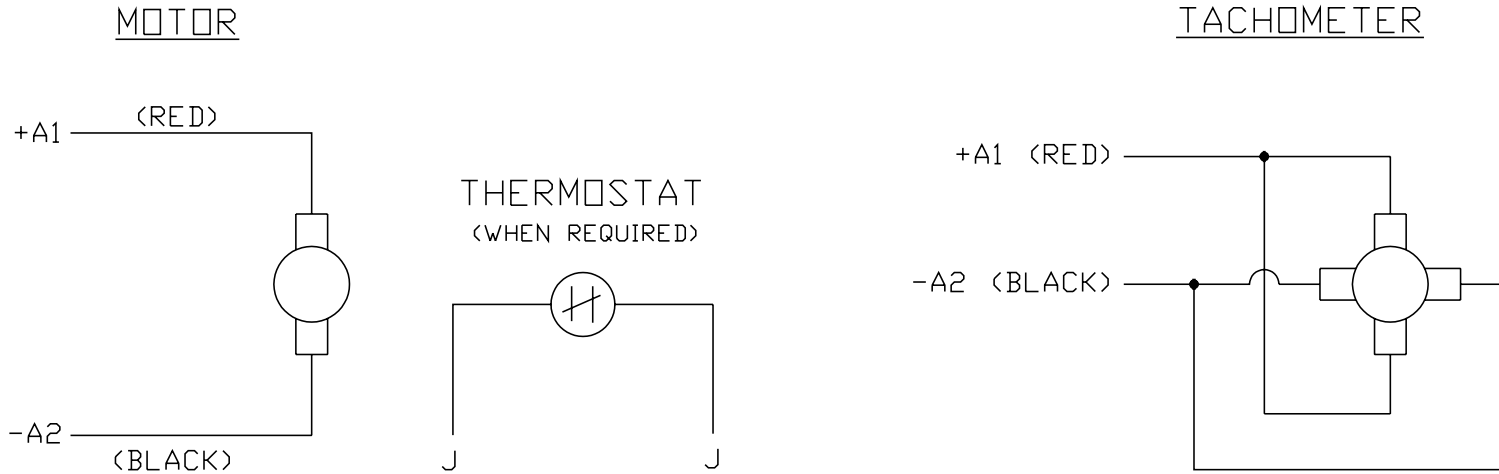
Parts List (continued)		
Part Number	Description	Quantity
36EP3302A01	STD PU ENDPLATE #206 BRG 182TC-184TC 36P	1.000 EA
10XN2520A28	1/4-20X 1 3/4 HEX HD	4.000 EA
HW1001A25	LOCKWASHER 1/4, ZINC PLT .493 OD, .255 I	4.000 EA
36FN3000A01SP	EXFN, PLASTIC, 7.00 OD, .912 ID	1.000 EA
51XB1214A16	12-14X1.00 HXWSSLD SERTYB	1.000 EA
36FH4009A47	IEC FH NO GREASER, W/ AUTOPHERETIC PRIME	1.000 EA
51XW1032A06	10-32 X .38, TAPTITE II, HEX WSHR SLTD S	3.000 EA
35CB4514	35 LIPPED CB LID	1.000 EA
36GS1001A08	GASKET - CONDUIT BOX LID 36 FRAME	1.000 EA
51XW0832A07	8-32 X .44, TAPTITE II, HEX WSHR SLTD SE	4.000 EA
36CB4500SP	CONDUIT BOX LID, STAMPED	2.000 EA
36GS1001A08	GASKET - CONDUIT BOX LID 36 FRAME	2.000 EA
51XW0832A07	8-32 X .44, TAPTITE II, HEX WSHR SLTD SE	8.000 EA
HA7000A02	KEY RETAINER RING, 1 1/8 DIA, 1 3/8 DIA	1.000 EA
85XU0407A04	#4-7 X 1/4 DRIVE PIN	2.000 EA
LB1115	LABEL,LIFTING DEVICE	1.000 EA
LC0194	CONNECTION LABEL FOR TYPE PM-DC MOTOR W/	1.000 EA
HW1001A25	LOCKWASHER 1/4, ZINC PLT .493 OD, .255 I	4.000 EA
X3B003Z029	TACH TG-300 50V .625BORE W/NOTCH CW	1.000 EA
HW2501E16	3KEY, 1/4 SQ X 1.750	1.000 EA
MG1000G27	PAINT- S9282E CHARCOAL GREY	0.019 GA
NP1418L	NP STD LASER ENGRAVED DC MOTORS, CSA CE	1.000 EA
LB5040	INSTRUCTION TAG, AC & DC	1.000 EA
MG5010A01	TRICKLE VARNISH (PEDIGREE 600 S)	0.005 GA

Parts List (continued)		
Part Number	Description	Quantity
MG5010Z01	488 (TPB) CATALYST	0.001 LB
36RK5008A01	ROCKERARM ASSY-GRADE E45	1.000 EA
HA3101A48	THRUBOLT- 1/4-20 X 16.75	4.000 EA
LB1125C01	STD (STOCK) CARTON LABEL BALDOR WITH FLA	1.000 EA
LB1119	WARNING LABEL	1.000 EA
37PA1052	PACKAGING GROUP, 150 LB MTR 2 X 4 RUNNER	1.000 EA



CUST. NAME		CUST. P.O.		CERTIFIED BY		MODEL		INSUL		AMB	
H.P.		MTG		TYPE		R.P.M.		VOLTS		ENCL	
REV. LTR: H		BY: JED		REVISED: 07/19/99 2:25		TDR: 0186289		PHASE		FREQ	
36LYP129		FILE: AAA00059295		MDL: -		REF: 36P134		FRAME		BALDOR ELECTRIC Co.	
		MTL:						HORZ"ATC"TEFC 3681PM 182-4ATC & 1810 ATC W/TG-300		36LYP129	

CD0194



NOTES:

1. CCW ROTATION AS SHOWN FACING COMMUTATOR END. TO REVERSE MOTOR ROTATION OR TACHOMETER OUTPUT POLARITY INTERCHANGE LEADS A1(RED) & A2(BLACK)
2. LEAD COLORS FOR REFERENCE ONLY & NOT SPECIFIED BY THIS DRAWING. LEAD COLORS SPECIFIED BY LAYOUT DRAWING & BILL OF MATERIAL ONLY.

MATL: -			
REV: E	ADDED NOTE "LEAD COLORS FOR REFERENCE ONLY &..."		
761000	SCALE: -	BY: CK	REVISED: 07/28/95
	FILE: AAA00004503		TDR: 0078737

**BALDOR ELECTRIC Co.**

CD TYPE P DC PERMANENT MAGNET MOTORS AND TACHOMETERS

CD0194