

BALDOR® • RELIANCE

Product Information Packet

CDPWD3326

.5HP, 1750RPM, DC, 56C, 3336P, TENV, F1

Copyright © All product information within this document is subject to Baldor Electric Company copyright © protection, unless otherwise noted.

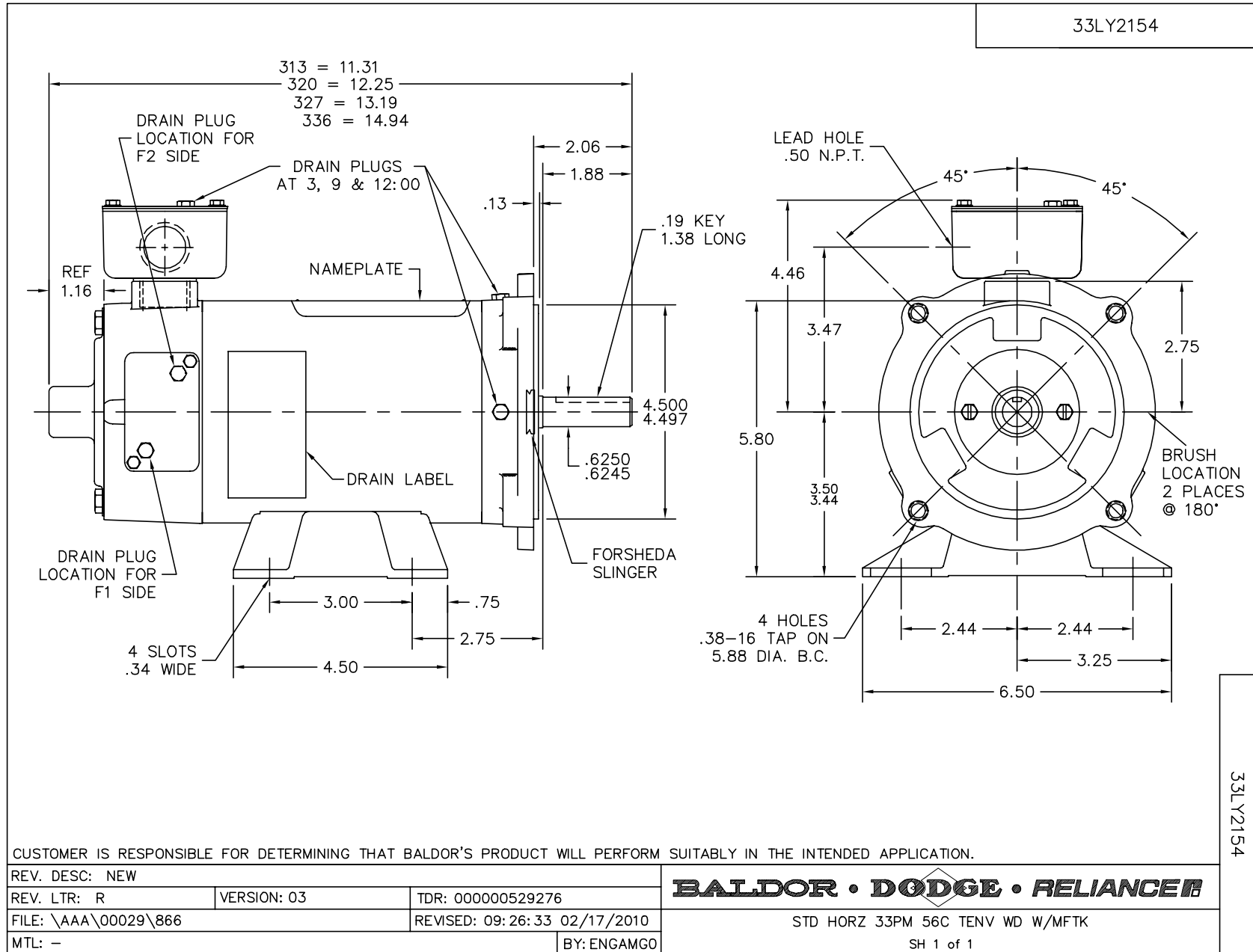
| Part Detail | | | | | | | |
|-------------|------|-------------|-------|----------------|----------|---------------|------------|
| Revision: | AJ | Status: | PRD/A | Change #: | | Proprietary: | No |
| Type: | DC | Prod. Type: | | Elec. Spec: | 33WGZ139 | CD Diagram: | |
| Enclosure: | TENV | Mfg Plant: | | Mech. Spec: | 33-2154 | Layout: | |
| Frame: | 56C | Mounting: | F1 | Poles: | /// | Created Date: | |
| Base: | RG | Rotation: | R | Insulation: | F | Eff. Date: | 10-01-2012 |
| Field Type: | | Literature: | | Elec. Diagram: | | Replaced By: | |

Nameplate NP1509

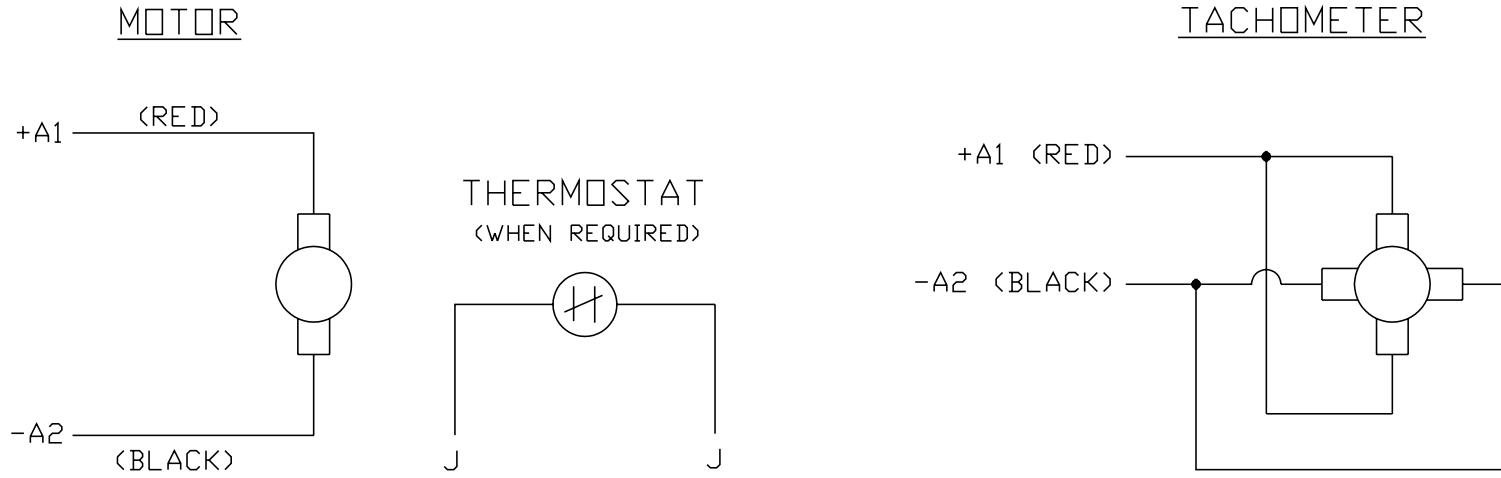
| | | | | | | | |
|----------|--------------|---------|--|---------|-------|--|--|
| CAT.NO. | CDPWD3326 | | | | | | |
| SPEC. | 33-2154Z139 | | | | | | |
| HP | .5 | ENCL | | | TENV | | |
| RPM | 1750 | | | | | | |
| FRAME | 56C | TYPE | | | 3336P | | |
| ARM V | 180 | ARM A | | | 2.5 | | |
| FLD V | | FLD A | | | | | |
| INSUL | F | AMB. | | | 40 | | |
| DUTY | CONT | SUPPLY | | | 1.3 | | |
| BRG/DE | 6203 | BRG/ODE | | | 6203 | | |
| BRUSHES | 2/BP5011CV01 | | | | | | |
| | BLANK | | | | | | |
| SER. | | | | | | | |
| BLANK | | | | | | | |
| APRV-CSA | APRV-UL | | | APRV-CE | | | |

| Parts List | | |
|--------------|--|----------|
| Part Number | Description | Quantity |
| SA005100 | SA 33-2154Z139 | 1.000 EA |
| AA002749 | AA 33-2154Z139 | 1.000 EA |
| BP5011CV01SP | CARBON BRUSH - 33P, 180V | 1.000 EA |
| BP5012A04SP | BRUSH SPRING FOR DC MOTORS | 1.000 EA |
| 33CB3001B02W | CONDUIT BOX, MACH/COATED WHITE | 1.000 EA |
| 33GS1013 | GASKET - CONDUIT BOX, .062 WHITE NEOPREN | 1.000 EA |
| 51XT0832A08 | 8-32 X 1/2 TY23 HXWS SLDSR | 3.000 EA |
| 51XW0832G07 | 8-32 X 7/16 TY23 HXWS SLDSR GR | 1.000 EA |
| HW3001B01 | 003SS CUP WASHER, FOR #8 SCREW | 1.000 EA |
| 51XW0832A07 | 8-32 X .44, TAPTITE II, HEX WSHR SLTD SE | 4.000 EA |
| 33EP3101A13W | FR ENDPLATE, MACH W/WHITE EPOXY PAINT | 1.000 EA |
| HW4600A54 | SEAL 0.668 X 1.064 X 0.250 DOUBLE SHIELD | 1.000 EA |
| 19XA1016S06 | 10-16X 3/8" TYPE AB SS X | 3.000 EA |
| 33CB4501A04W | BRUSH INSPECTION COVER, COATED WHITE EPO | 2.000 EA |
| 33GS1014 | GASKET, BRUSH INSP. COVERTDR 11640 | 2.000 EA |
| 11XT0832S07 | 08-32 X 7/16 HX SL WS HD, 304 STAINLESS | 6.000 EA |
| HA6887 | SHAFT PROTECTOR STAMPED STEEL 20 GA. | 1.000 EA |
| 10XN2520S06 | 1/4 20X3/8 HX HD CAP S.S. | 2.000 EA |
| HW5100A03SP | WAVY WASHER (W1543-017) | 1.000 EA |
| 33EP3302A14W | PULLEY ENDPLATE ENCL 33PM 56C W/WHITE EP | 1.000 EA |
| HW4600A54 | SEAL 0.668 X 1.064 X 0.250 DOUBLE SHIELD | 1.000 EA |
| HW4600B39SP | SEAL 0.550 X .790 X .180 FACE SEALING | 1.000 EA |
| 11XN1032S20 | 10-32 X 1-1/4 HEX WASHER HEAD, SLOTTED | 2.000 EA |
| 19XA1016S06 | 10-16X 3/8" TYPE AB SS X | 3.000 EA |

| Parts List (continued) | | |
|------------------------|--|----------|
| Part Number | Description | Quantity |
| WD4102A12 | SR 6P-4 HEYCO STRN RELIEF OR 23MP06P40 M | 1.000 EA |
| 34CB4500A10W | CONDUIT BOX LID, MACH W/WHITE EPOXY | 1.000 EA |
| 33GS1012 | GASKET - CONDUIT BOX LID, MODEL 33PM | 1.000 EA |
| 59XW0832S07 | TAPTITE II,HEX WSHR UNSLTD SER,410 S.S., | 5.000 EA |
| HW2502D13 | SS KEY, 3/16 SQ X 1.375 | 1.000 EA |
| HA7000A04 | KEY RETAINER 0.625 DIA SHAFTS | 1.000 EA |
| MG1025W01 | PAINT- 781-01 WILKOFAS WHITE EPOXY | 0.013 GA |
| 10XF0440S02 | 04-40 X 1/8 TYPE F HEX HD STAINLESS STIC | 2.000 EA |
| MJ5001A01 | 46-665 RED SEALER | 0.001 QT |
| 33RK5004SP | ROCKERARM | 1.000 EA |
| HA3100S03 | THRUBOLT- 10-32 X 10.625 302 OR 303 SS | 2.000 EA |
| MG1500Y02 | PRIMER, 347.29 WILKOPON, YELLOW EPOXY PR | 0.013 GA |
| LB5040 | INSTRUCTION TAG, AC & DC | 1.000 EA |
| LB1164 | LABEL,WARNING AND DRAIN | 1.000 EA |
| LB1125C01 | STD (STOCK) CARTON LABEL BALDOR WITH FLA | 1.000 EA |
| LC0194 | CONNECTION LABEL FOR TYPE PM-DC MOTOR W/ | 1.000 EA |
| LB1451 | WARNING LABEL, CE WARNING SYMBOLS ONLY | 1.000 EA |
| NP1509 | DC, WD, UL CE CSA, W/O THERMAL | 1.000 EA |
| 27PA1001 | PACKAGING GROUP | 1.000 EA |



CD0194



NOTES:

1. CCW ROTATION AS SHOWN FACING COMMUTATOR END. TO REVERSE MOTOR ROTATION OR TACHOMETER OUTPUT POLARITY INTERCHANGE LEADS A1(RED) & A2(BLACK)
2. LEAD COLORS FOR REFERENCE ONLY & NOT SPECIFIED BY THIS DRAWING. LEAD COLORS SPECIFIED BY LAYOUT DRAWING & BILL OF MATERIAL ONLY.

| | | | |
|---------|--|--------|-------------------|
| MATL: - | | | |
| REV: E | ADDED NOTE "LEAD COLORS FOR REFERENCE ONLY &..." | | |
| 761000 | SCALE: - | BY: CK | REVISED: 07/28/95 |
| | FILE: AAA00004503 | | TDR: 0078737 |

BALDOR ELECTRIC Co.

CD TYPE P DC PERMANENT MAGNET MOTORS AND TACHOMETERS

CD0194