

BALDOR® • *RELIANCE*

Product Information Packet

CDPWD3603

3HP, 1750RPM, DC, 184TC, 3649P, TEFC, F1

Copyright © All product information within this document is subject to Baldor Electric Company copyright © protection, unless otherwise noted.

Part Detail							
Revision:	AN	Status:	PRD/A	Change #:		Proprietary:	No
Type:	DC	Prod. Type:		Elec. Spec:	36WGZ507	CD Diagram:	
Enclosure:	TEFC	Mfg Plant:		Mech. Spec:	36P126	Layout:	
Frame:	184TC	Mounting:	F1	Poles:	///	Created Date:	
Base:	RG	Rotation:	R	Insulation:	F	Eff. Date:	09-24-2012
Field Type:		Literature:		Elec. Diagram:		Replaced By:	

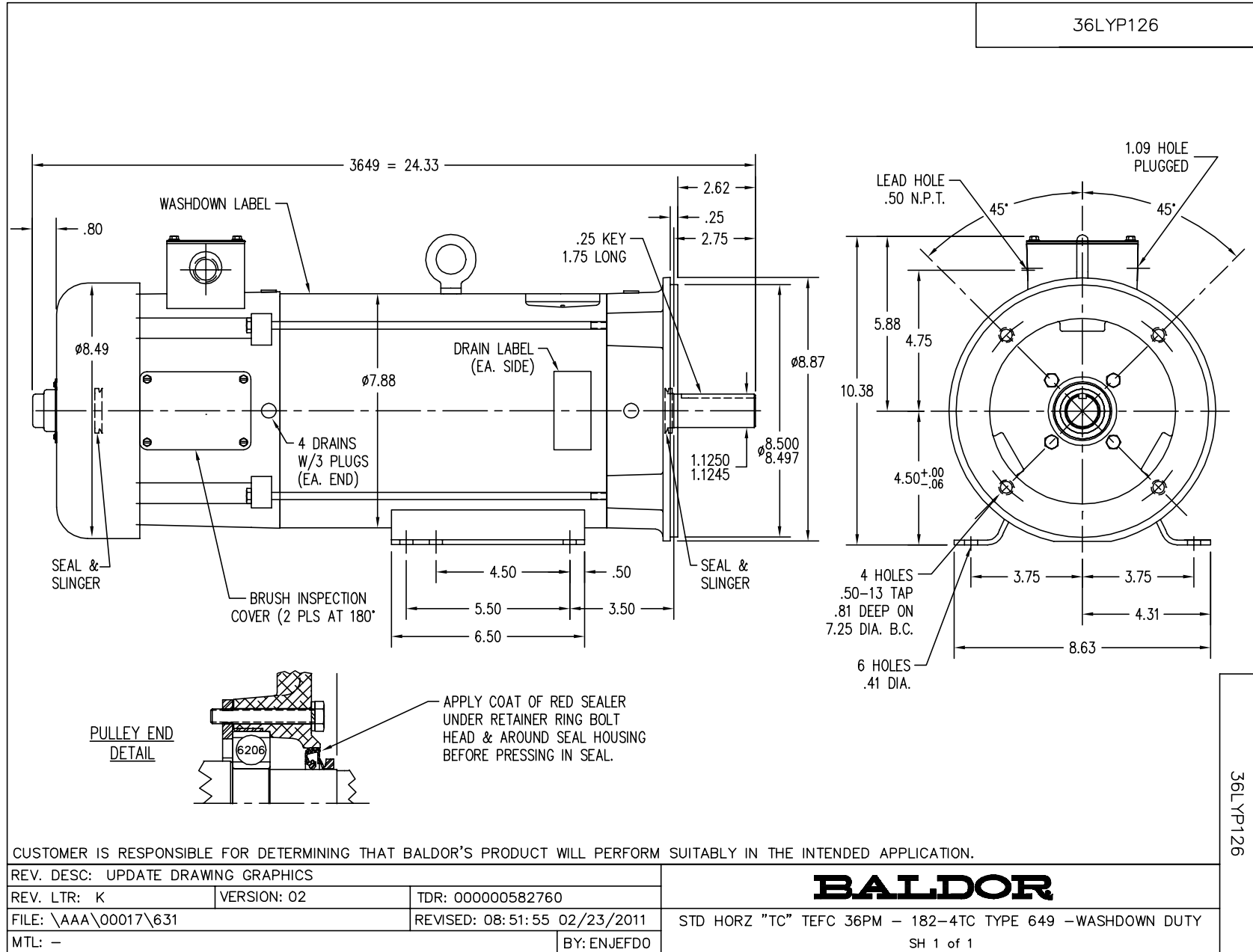
Nameplate NP1509

CAT.NO.	CDPWD3603						
SPEC.	36P126Z507						
HP	3	ENCL			TEFC		
RPM	1750						
FRAME	184TC	TYPE			3649P		
ARM V	180	ARM A			14		
FLD V		FLD A					
INSUL	F	AMB.			40		
DUTY	CONT	SUPPLY			K		
BRG/DE	6206	BRG/ODE			6206		
BRUSHES	2/BP5031A01						
	BLANK						
SER.							
BLANK							
APRV-CSA	APRV-UL			APRV-CE			

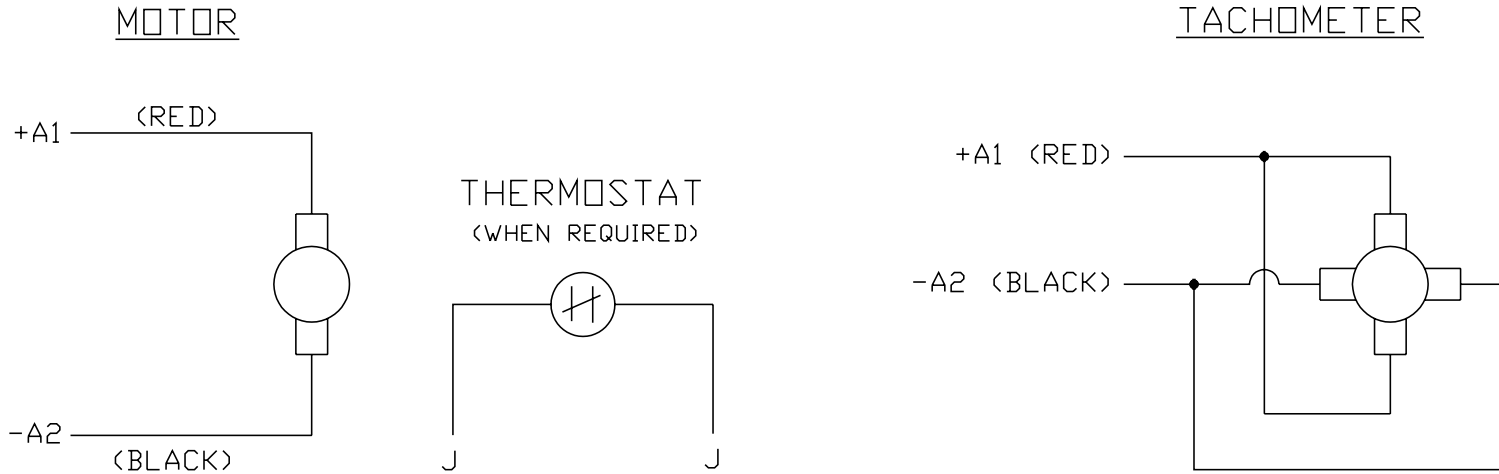
Parts List		
Part Number	Description	Quantity
SA043650	SA 36P126Z507	1.000 EA
AA005125	AA 36P126Z507	1.000 EA
BP5031A01SP	BRUSH ASSY,HELWIG GRADE H45 180 VOLTS	1.000 EA
BP5030	BRUSH SPRING FOR 36DC/PM MOTORS	2.000 EA
HW3201A05	3/8-16 EYEBOLT	1.000 EA
19XM3118A08	5/16-18X1/2 HX HD ROLL FM#93882A578 MCMA	4.000 EA
36CB3000A39W	CONDUIT BOX MACH'G .50 N.P.T. & PLUG WD4	1.000 EA
36GS1000A01	GASKET - CONDUIT BOX 35 & 36 PM FRAME	1.000 EA
51XB1016A07	10-16 X 7/16 HXWSSLD SERTYB	2.000 EA
11XW1032G06	10-32 X .38, TAPTITE II, HEX WSHR SLTD U	1.000 EA
HW3001B01	003SS CUP WASHER, FOR #8 SCREW	1.000 EA
36EP3402A04WP	FREP, MACH, WHITE PRIMER POWDER COAT	1.000 EA
HW4032A01	BLACK DRAIN PLUG FOR WASH DOWN MOTORS	3.000 EA
26XW1032A08	10-32 X 1/2 PHILLIPS HEAD TAPTITE-II (SI	4.000 EA
HW4600B36SP	V-RING SLINGER 1.188 X 1.690 X 0.240	1.000 EA
HW4600B36SP	V-RING SLINGER 1.188 X 1.690 X 0.240	1.000 EA
HW4600B50SP	SEAL 1.156 X 1.874 X 0.250 SINGLE LIP DB	1.000 EA
HW4600B50SP	SEAL 1.156 X 1.874 X 0.250 SINGLE LIP DB	1.000 EA
HW5100A06	W2420-025 WVY WSHR (WB)	1.000 EA
36EP3302A02WP	PUEP, MACH, WHITE PRIMER POWDER COAT	1.000 EA
HW4032A01	BLACK DRAIN PLUG FOR WASH DOWN MOTORS	3.000 EA
10XN2520S28	1/4-20X 1 3/4 HEX HD SS X	4.000 EA
36FN3000A01SP	EXFN, PLASTIC, 7.00 OD, .912 ID	1.000 EA
51XB1214A16	12-14X1.00 HXWSSLD SERTYB	1.000 EA

Parts List (continued)		
Part Number	Description	Quantity
36FH5000A11W	36FH5000A11 W/WHT EPOXY	1.000 EA
11XW1032S06	10-32 X .38, TAPTITE II, HEX WSHR SLTD U	3.000 EA
WD4100A05	DP-1093 HEYCO PLUG OR 62MP1093 MICOR PL	1.000 EA
35CB4514WP	CB LID LIPPED, WHITE PRIMER POWDER COAT	1.000 EA
36CB4500WSP	CONDUIT BOX LID, STAMPED W/WHITE EPOXY	2.000 EA
36GS1001A05	GASKET - CONDUIT BOX LID 36 FRAME	2.000 EA
59XW0832S07	TAPTITE II,HEX WSHR UNSLTD SER,410 S.S.,	8.000 EA
36GS1001A05	GASKET - CONDUIT BOX LID 36 FRAME	1.000 EA
59XW0832S07	TAPTITE II,HEX WSHR UNSLTD SER,410 S.S.,	4.000 EA
HW2502E16	#303 SS,SQ KEY 1/4 X 1.750	1.000 EA
HA7000A02	KEY RETAINER RING, 1 1/8 DIA, 1 3/8 DIA	1.000 EA
MJ5001A01	46-665 RED SEALER	0.005 QT
LB1115	LABEL,LIFTING DEVICE	1.000 EA
LB1164	LABEL,WARNING AND DRAIN	1.000 EA
MG1025W01	PAINT- 781-01 WILKOFASST WHITE EPOXY	0.019 GA
85XU0407S04	4X1/4 U DRIVE PIN STAINLESS	2.000 EA
NP1509	DC, WD, UL CE CSA, W/O THERMAL	1.000 EA
MG5010A01	TRICKLE VARNISH (PEDIGREE 600 S)	0.005 GA
MG5010Z01	488 (TPB) CATALYST	0.001 LB
36RK5009A01	ROCKERARM ASSY, GRADE E45	1.000 EA
HA3101S40	THRUBOLT 1/4-20 X 12.687	4.000 EA
LB5040	INSTRUCTION TAG, AC & DC	1.000 EA
LC0194	CONNECTION LABEL FOR TYPE PM-DC MOTOR W/	1.000 EA
LB1125C01	STD (STOCK) CARTON LABEL BALDOR WITH FLA	1.000 EA

Parts List (continued)		
Part Number	Description	Quantity
36PA1062	PACKAGING GROUP	1.000 EA



CD0194



NOTES:

1. CCW ROTATION AS SHOWN FACING COMMUTATOR END. TO REVERSE MOTOR ROTATION OR TACHOMETER OUTPUT POLARITY INTERCHANGE LEADS A1(RED) & A2(BLACK)
2. LEAD COLORS FOR REFERENCE ONLY & NOT SPECIFIED BY THIS DRAWING. LEAD COLORS SPECIFIED BY LAYOUT DRAWING & BILL OF MATERIAL ONLY.

MATL: -			
REV: E	ADDED NOTE "LEAD COLORS FOR REFERENCE ONLY &..."		
761000	SCALE: -	BY: CK	REVISED: 07/28/95
	FILE: AAA00004503		TDR: 0078737

BALDOR ELECTRIC Co.

CD TYPE P DC PERMANENT MAGNET MOTORS AND TACHOMETERS

CD0194