

BALDOR® • **RELIANCE**

Product Information Packet

CEBM3558T-D

2HP, 1750RPM, 3PH, 60HZ, 145TYC, 3528M, TEFC, F

Copyright © All product information within this document is subject to Baldor Electric Company copyright © protection, unless otherwise noted.

Part Detail									
Revision:	C	Status:	PRD/A	Change #:		Proprietary:	No		
Type:	AC	Prod. Type:	3528M	Elec. Spec:	35WGP562	CD Diagram:			
Enclosure:	TEFC	Mfg Plant:		Mech. Spec:	35X157	Layout:			
Frame:	145TCY	Mounting:	F3	Poles:	04	Created Date:	06-16-2010		
Base:	RG	Rotation:	R	Insulation:	F	Eff. Date:	04-27-2011		
Leads:	9#18	Literature:		Elec. Diagram:		Replaced By:			
Nameplate NP2105L									
CAT.NO.	CEBM3558T-D								
SPEC.	35X157P562G1								
HP	2								
VOLTS	208-230/460								
AMP	5.9-5.8/2.9								
RPM	1750								
FRAME	145TCY	HZ	60	PH	3				
SER.F.	1.15	CODE	L	DES	B	CL	F		
NEMA-NOM-EFF	86.5	PF	75						
RATING	40C AMB-CONT								
CC	010A	USABLE AT 208V	5.9						
DE	6205	ODE	6205						
ENCL	TEFC	SN							
	IP44								

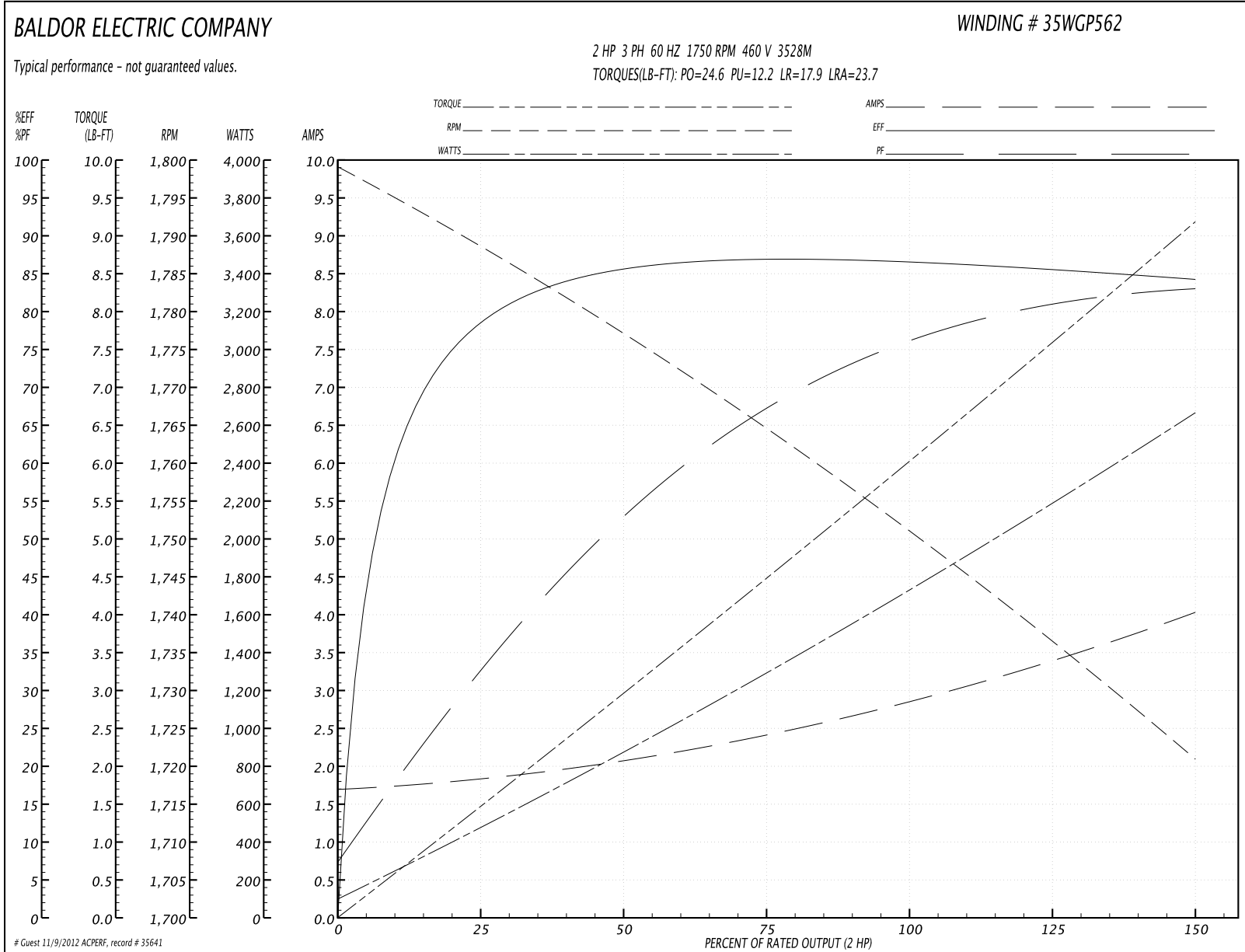
Parts List		
Part Number	Description	Quantity
SA199038	SA 35X157P562G1	1.000 EA
RA186389	RA 35X157P562G1	1.000 EA
S/P107-000-001	SUPER E PROC'S-FS & WS PLTS-POLYREX EM G	1.000 EA
NS2512A01	INSULATOR, CONDUIT BOX X	1.000 EA
35CB4007	KOBX, AUTOPHORETIC (REL# 79097-49-C)	1.000 EA
35GS3009	GASKET, KOBX 35CB4006 (411881-15A)	1.000 EA
51XB1016A05	10-16X5/16HX WA SL SR TYB (F/S)	2.000 EA
WD4100A110	CAPLUG,BP-1 1/8, PLUG W/RECESSED HEAD	1.000 EA
11XW1032G06	10-32 X .38, TAPTITE II, HEX WSHR SLTD U	1.000 EA
HW3001B01	003SS CUP WASHER, FOR #8 SCREW	1.000 EA
35EP3119A01	SPL FREP TEFC 205 BRG	1.000 EA
HW5100A05	WVY WSHR F/205 & 304 BRGS	1.000 EA
35EP3300A33	SPL FACE MTD EP -ENCL-205 BRG	1.000 EA
51XN1032A20	10-32 X 1 1/4 HX WS SL SR	2.000 EA
35FH3004A01	FAN COVER ASSY, BRAKE MTG	1.000 EA
51XN1032A32	10-32 X 2 HX WS SL SR	4.000 EA
HW1001A10	WASHER, #10 SPLT LK, ZN X	4.000 EA
35FN3003A01	EXFN, PLASTIC, 5.88 OD, .626 ID	1.000 EA
10XN3816K64	3/8-16X4 HX HD CAP SCREW, GRADE 5	4.000 EA
HW1001A38	LOCKWASHER 3/8, ZINC PLT .688 OD, .382 I	4.000 EA
BR2006B01	DBSC SPLINED HUB 5/8 BOR	1.000 EA
35CB4519	CB LID RAW & UNPRIMED, REL# 79097-50-B	1.000 EA
35GS3019	GASKET, FOR KOBX LID 35CB4519	1.000 EA
51XW0832A07	8-32 X .44, TAPTITE II, HEX WSHR SLTD SE	4.000 EA

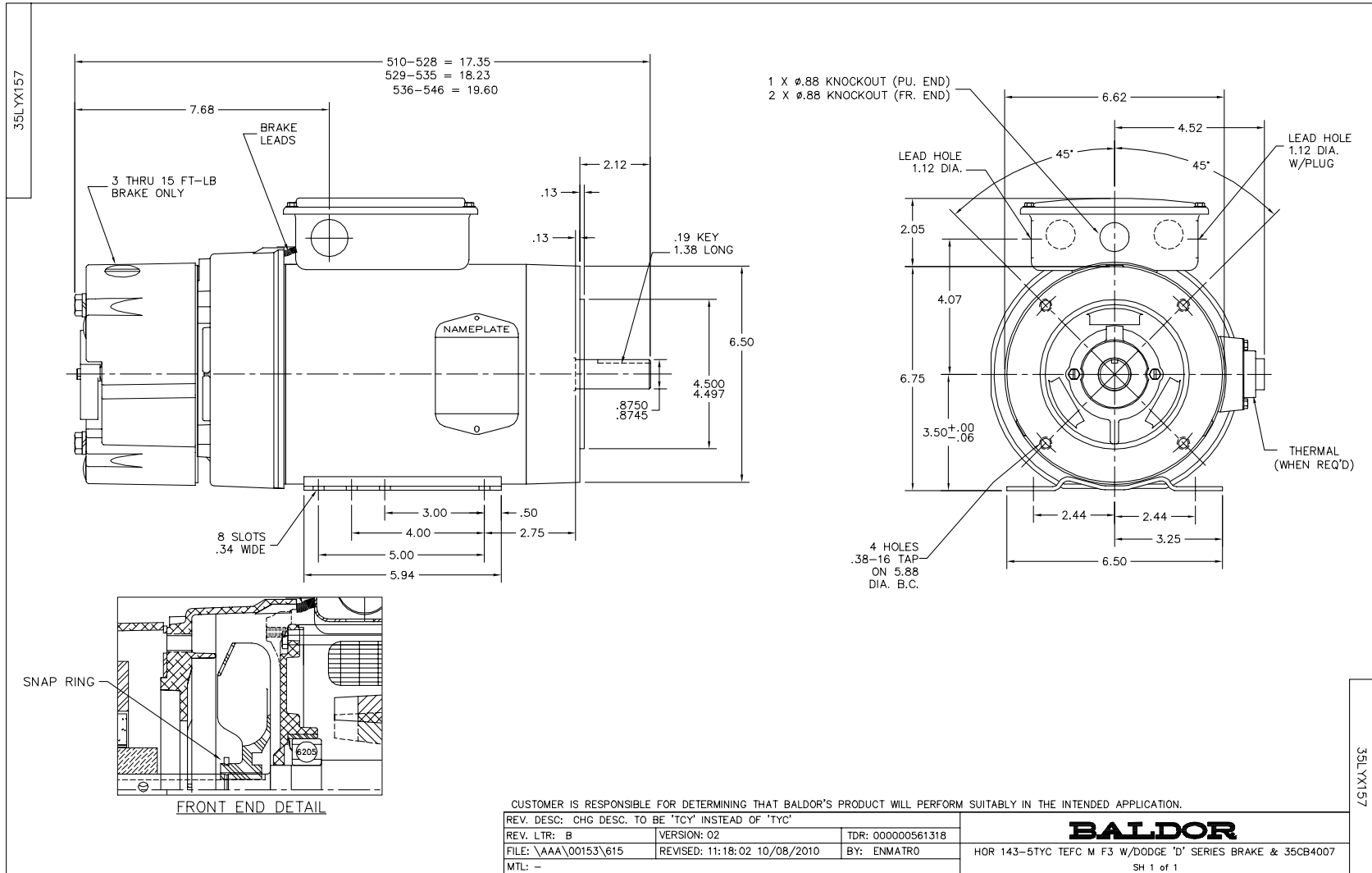
Parts List (continued)		
Part Number	Description	Quantity
WD4006A01	WIRE JOINT, RB-4 OR RB-44	1.000 EA
HW2501D13SP	KEY, 3/16 SQ X 1.375	1.000 EA
HA7000A04	KEY RETAINER 0.625 DIA SHAFTS	1.000 EA
85XU0407S04	4X1/4 U DRIVE PIN STAINLESS	2.000 EA
LB1419	CONN LABEL DODGE BRAKE (REL# 411614-15)	1.000 EA
MJ1000A75	GREASE, POLYREX EM EXXON	0.050 LB
MG1000N49	PAINT, 678.50 WILKO, REL GRN (55 GA)	0.017 GA
HA3100A13	THRUBOLT 10-32 X 7.750	4.000 EA
46BK0304B01	DBSC-VP-10-MA-230/460 VAC	1.000 EA
LB1119	WARNING LABEL	1.000 EA
LB1125C02	SUPER-E (STOCK CTN LABEL SUPER-E WITH FL	1.000 EA
LC0005	CONN.DIA.,TY M,9-LD,DUAL VOLT,REVERSING	1.000 EA
LB1357	ENERGY GUIDE LABEL (BOX LABEL)	1.000 SH
LB5040	INSTRUCTION TAG, AC & DC	1.000 EA
NP2105L	ALUM SUPER-E UL CSA-EEV CE CC	1.000 EA
G7PA1000	PACKAGING GROUP / BALDOR	1.000 EA

Performance Data at 460V, 60Hz, 2.0HP (Typical performance - Not guaranteed values)

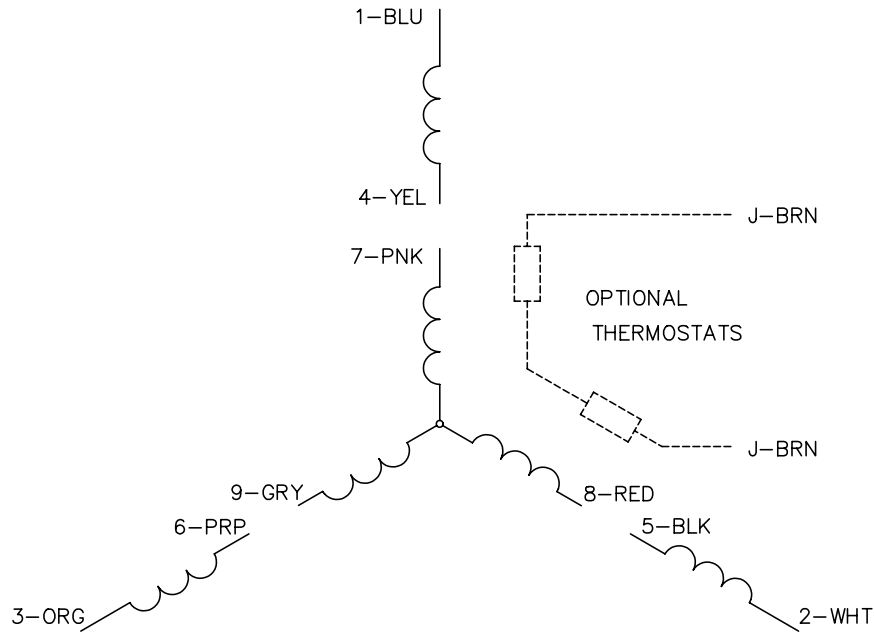
General Characteristics							
Full Load Torque:	6.01 LB-FT			Start Configuration:	DOL		
No-Load Current:	1.72 Amps			Break-Down Torque:	24.6 LB-FT		
Line-line Res. @ 25°C.:	7.66 Ohms A Ph / 0.0 Ohms B Ph			Pull-Up Torque:	12.2 LB-FT		
Temp. Rise @ Rated Load:	75 C			Locked-Rotor Torque:	17.9 LB-FT		
Temp. Rise @ S.F. Load:	90 C			Starting Current:	23.7 Amps		
Load Characteristics							
% of Rated Load	25	50	75	100	125	150	S.F.
Power Factor:	33.0	53.0	67.0	75.0	80.0	84.0	78.0
Efficiency:	77.7	85.4	86.9	86.6	85.8	84.2	86.1
Speed:	1789.0	1778.0	1765.0	1751.0	1737.0	1721.0	1743.0
Line Amperes:	1.8	2.04	2.39	2.88	3.39	4.01	3.19

Performance Graph at 460V, 60Hz, 2.0HP Typical performance - Not guaranteed values





CD0005

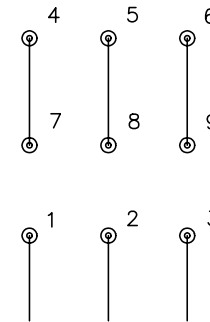


LOW VOLTAGE
(2Y)



LINE

HIGH VOLTAGE
(1Y)



LINE

NOTES:

1. INTERCHANGE ANY TWO LINE LEADS TO REVERSE ROTATION.
2. OPTIONAL THERMOSTATS ARE PROVIDED WHEN SPECIFIED.
3. ACTUAL NUMBER OF INTERNAL PARALLEL CIRCUITS MAY BE A MULTIPLE OF THOSE SHOWN ABOVE.
4. LEAD COLORS ARE OPTIONAL. LEADS MUST ALWAYS BE NUMBERED AS SHOWN.

REV. DESC: REVISE TO SHOW OPTIONAL COLORS			
REV. LTR: E	BY: JLP	REVISED: 01/19/99 10:15	TDR: 0171435
90000		FILE: AAA00005140	MDL: -
		MTL: -	

BALDOR ELECTRIC Co.

3PH, DV, 9 LEADS

CD0005