

# **BALDOR**® • **RELIANCE**

## **Product Information Packet**

# **CECP4108T**

**30HP,3520RPM,3PH,60HZ,286TSC,1042M,TEFC**

Copyright © All product information within this document is subject to Baldor Electric Company copyright © protection, unless otherwise noted.

| Part Detail |        |             |       |                |          |               |            |
|-------------|--------|-------------|-------|----------------|----------|---------------|------------|
| Revision:   | D      | Status:     | PRD/A | Change #:      |          | Proprietary:  | No         |
| Type:       | AC     | Prod. Type: | 1042M | Elec. Spec:    | 10WGY130 | CD Diagram:   |            |
| Enclosure:  | TEFC   | Mfg Plant:  |       | Mech. Spec:    | 10H406   | Layout:       |            |
| Frame:      | 286TSC | Mounting:   | F1    | Poles:         | 02       | Created Date: | 01-14-2011 |
| Base:       | RG     | Rotation:   | R     | Insulation:    | F        | Eff. Date:    | 05-18-2012 |
| Leads:      | 9#10   | Literature: |       | Elec. Diagram: |          | Replaced By:  |            |

**Nameplate NP1260E**

|              |              |                |      |     |   |    |   |
|--------------|--------------|----------------|------|-----|---|----|---|
| CAT.NO.      | CECP4108T    |                |      |     |   |    |   |
| SPEC.        | 10H406Y130G1 |                |      |     |   |    |   |
| HP           | 30           |                |      |     |   |    |   |
| VOLTS        | 230/460      |                |      |     |   |    |   |
| AMP          | 66/33        |                |      |     |   |    |   |
| RPM          | 3520         |                |      |     |   |    |   |
| FRAME        | 286TSC       | HZ             | 60   | PH  | 3 |    |   |
| SER.F.       | 1.15         | CODE           | G    | DES | B | CL | F |
| NEMA-NOM-EFF | 93           | PF             | 90   |     |   |    |   |
| RATING       | 40C AMB-CONT |                |      |     |   |    |   |
| CC           | 010A         | USABLE AT 208V |      |     |   |    |   |
| DE           | 6311         | ODE            | 6311 |     |   |    |   |
| ENCL         | TEFC         | SN             |      |     |   |    |   |
|              |              |                |      |     |   |    |   |

| Parts List     |  |          |
|----------------|--|----------|
| Part Number    | Description                              | Quantity |
| SA215117       | SA 10H406Y130G1                          | 1.000 EA |
| RA202317       | RA 10H406Y130G1                          | 1.000 EA |
| 37FN3002C03    | EXFN, PLASTIC, 6.00 OD, 1.690 ID         | 1.000 EA |
| S/P107-000-004 | SUPER-E(284 FR. & UP)-CL PLANT,POLYREX E | 1.000 EA |
| 10CB1000A09P   | CONDUIT BOX, MACH W/EPOXY PRIMER         | 1.000 EA |
| 09GS1010       | GASKET, DWG, LEADWIRE SEPERATOR          | 1.000 EA |
| 10XN3118K16    | 5/16-18 X 1" GRADE #5, STL, ZINC PLATE   | 4.000 EA |
| HW1001A31      | LOCKWASHER 5/16, ZINC PLT.591 OD, .319 I | 4.000 EA |
| WD1000B16      | KPA-4C BURNDY TERMINAL                   | 1.000 EA |
| 10XN2520K06    | 1/4-20 X 3/8" HX HD SCREWGRADE 5, ZINC P | 1.000 EA |
| HW1001A25      | LOCKWASHER 1/4, ZINC PLT .493 OD, .255 I | 1.000 EA |
| 10XN3816K28    | 3/8-16 X 1.75 HEX HD CAP SCREW, GRADE 5  | 4.000 EA |
| HW1001A38      | LOCKWASHER 3/8, ZINC PLT .688 OD, .382 I | 4.000 EA |
| HA1005A26      | SLINGER, OD 3.00, ID 1.75, 309 BRG       | 1.000 EA |
| HW1001A38      | LOCKWASHER 3/8, ZINC PLT .688 OD, .382 I | 4.000 EA |
| HW4500A20      | 1/8NPT SL PIPE PLUG                      | 1.000 EA |
| HW5100A13      | W4627-047 WVY WSHER                      | 1.000 EA |
| HA4017A11      | 1/8 X 2.75 GREASE EXT (F/S)              | 1.000 EA |
| HA4017A03      | .125 X 1.75 GREASE EXT (F/S)             | 1.000 EA |
| HA4024A02      | 1/8 DOUBLE FEMALE SS CPLG, MCM #4464K351 | 1.000 EA |
| 10XN3118K36    | 5/16-18 X 2.25" HEX HD, GRADE 5          | 4.000 EA |
| 10EP1305A117P  | PU ENDPLATE, MACH W/EPOXY                | 1.000 EA |
| 10XN3816K28    | 3/8-16 X 1.75 HEX HD CAP SCREW, GRADE 5  | 4.000 EA |
| HW4500A20      | 1/8NPT SL PIPE PLUG                      | 1.000 EA |

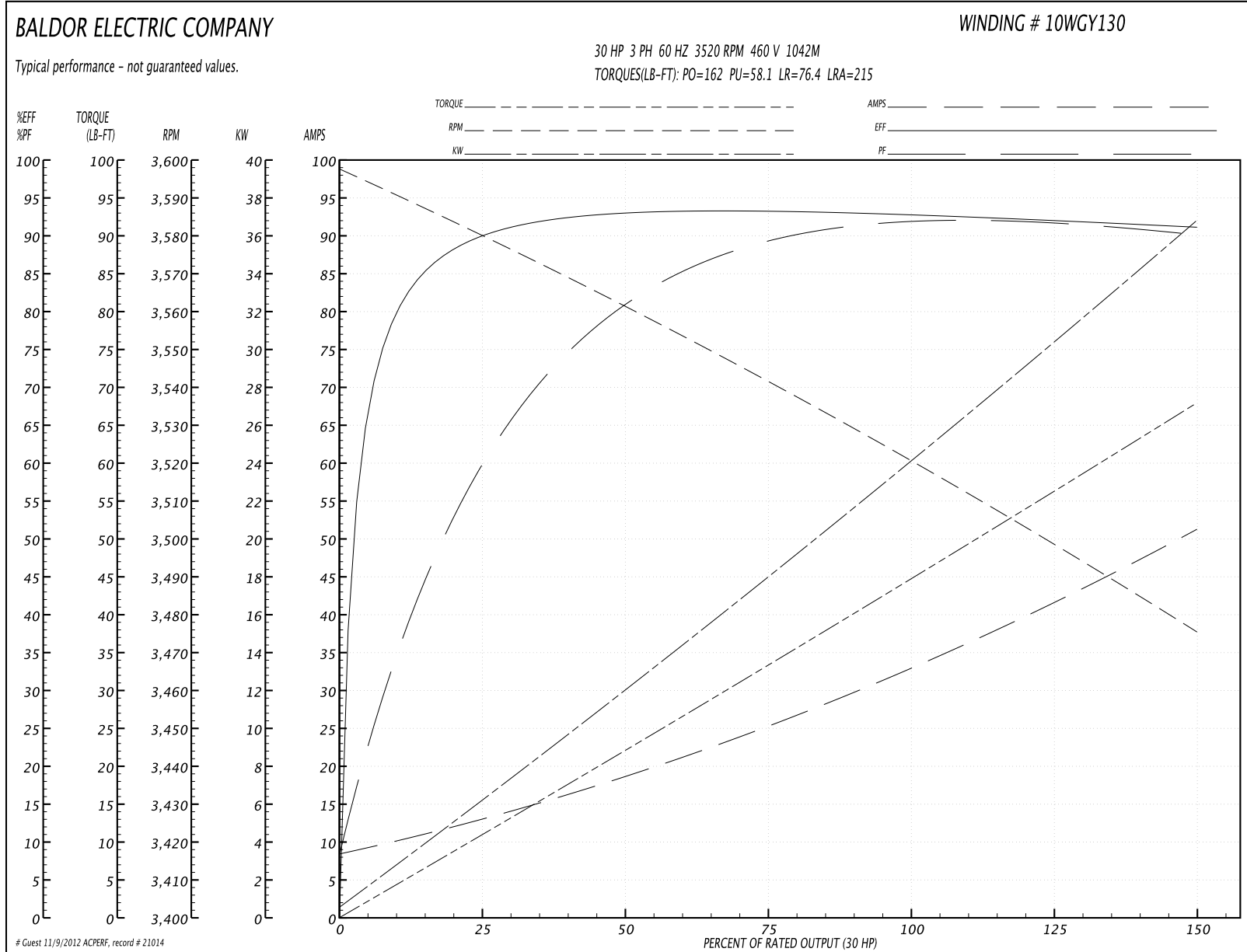
| Parts List (continued) |  |          |
|------------------------|--|----------|
| Part Number            | Description                              | Quantity |
| HW4600B40              | V-RING SLINGER 2.000 X 2.680 X 0.280     | 1.000 EA |
| 10XN3118K40            | 5/16-18 X 2.50" HEX HD, GRADE 5          | 4.000 EA |
| 10FH1007P              | FAN COVER, CAST W/EPOXY PRIMER           | 1.000 EA |
| 10XN3118K24            | 5/16-18 X 1.50" HEX HD, GRADE 5          | 3.000 EA |
| HW1001A31              | LOCKWASHER 5/16, ZINC PLT.591 OD, .319 I | 3.000 EA |
| 10CB1503A01P           | CONDUIT BOX LIPPED LID, MACH W/EPXY PRMR | 1.000 EA |
| 14GS1003               | GASKET CONDUIT BOX LID, NEOP             | 1.000 EA |
| 10XN2520K16            | 1/4-20 X 1" HX HD SCRW GRADE 5, ZINC P   | 4.000 EA |
| HW1001A25              | LOCKWASHER 1/4, ZINC PLT .493 OD, .255 I | 4.000 EA |
| HW2501G18              | SQUARE STEEL KEY .375 X 2.00 LONG        | 1.000 EA |
| MJ5001A01              | 46-665 RED SEALER                        | 0.031 QT |
| MJ5001A14              | DYNAPRO SEAL, CP MOTORS VC#2508050 (603  | 0.026 EA |
| LB1115                 | LABEL,LIFTING DEVICE                     | 1.000 EA |
| LB1002                 | LABEL,MARINE DUTY (ON ROLLS)             | 1.000 EA |
| LB5040                 | INSTRUCTION TAG, AC & DC                 | 1.000 EA |
| 10EP1110A44GP6         | FREP, MACH W/PRIMER & GREEN PAINT        | 1.000 EA |
| HW4500A21              | 1618BALEMITE FITTING 825 UNIVERSAL       | 1.000 EA |
| HW4500A17              | 317400 ALEMITE GREASE RELIEF             | 1.000 EA |
| HA4001A01SP            | DRAIN PLUG, PLASTIC (MICRO PLAS)         | 1.000 EA |
| HA4051A00              | PLASTIC CAP FOR GREASE FITTING           | 1.000 EA |
| MJ1000A75              | GREASE, POLYREX EM EXXON                 | 0.130 LB |
| HW4500A17              | 317400 ALEMITE GREASE RELIEF             | 1.000 EA |
| HW4500A03              | GREASE FITTING, .125 NPT 1610(ALEMITE) 8 | 1.000 EA |
| HA4001A01SP            | DRAIN PLUG, PLASTIC (MICRO PLAS)         | 1.000 EA |

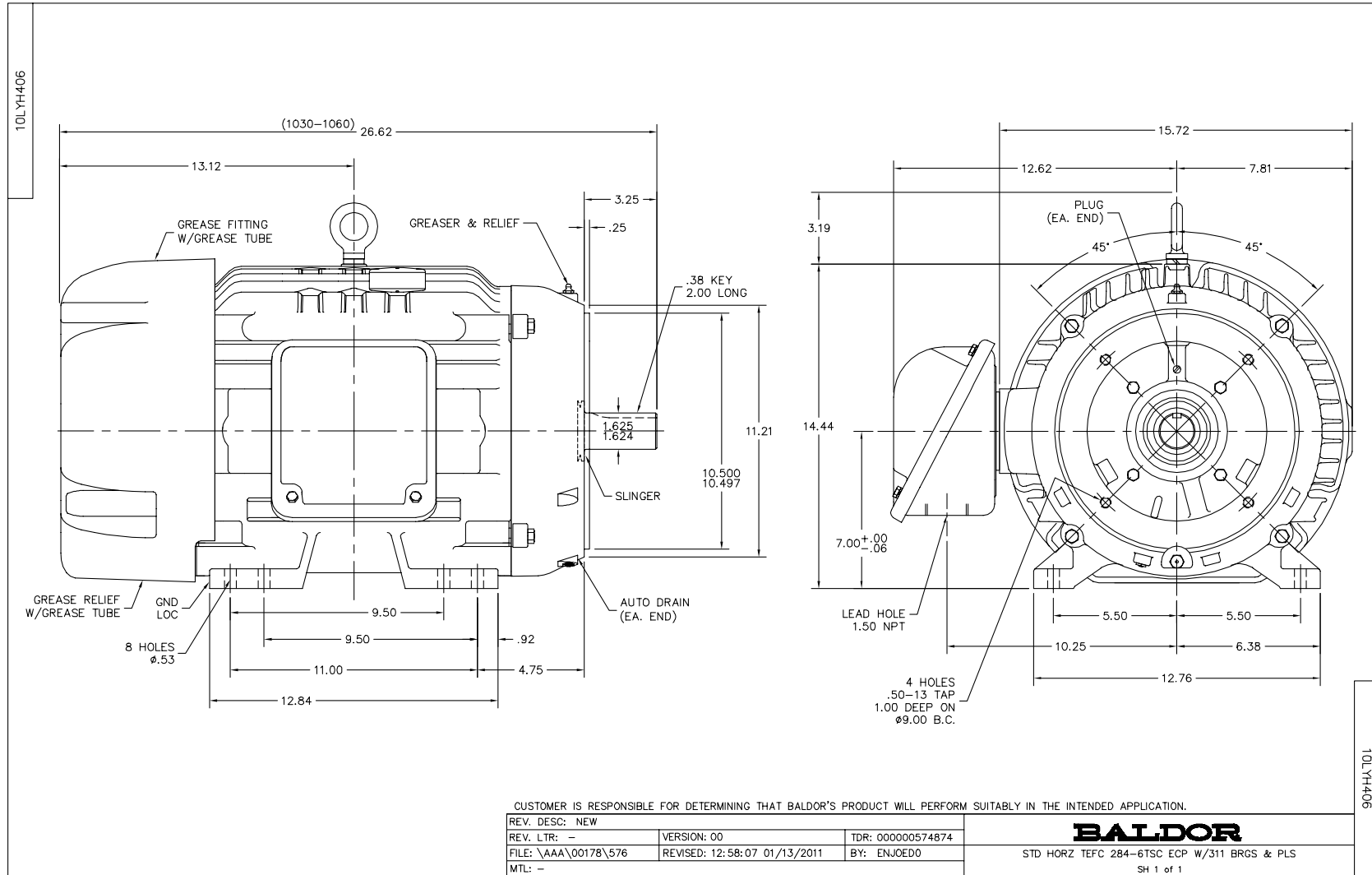
| Parts List (continued) |  |          |
|------------------------|--|----------|
| Part Number            | Description                              | Quantity |
| HA4051A00              | PLASTIC CAP FOR GREASE FITTING           | 1.000 EA |
| HW2500A25              | WOODRUFF KEY USA #1008 #BLOW CARBON STEE | 1.000 EA |
| 51XB1214A20            | 12-14X1.25 HXWSSLD SERTYB                | 1.000 EA |
| MG1025N19              | PAINT, 778.50 WILKO, RELIANCE ELEC GREEN | 0.070 GA |
| 85XU0407S04            | 4X1/4 U DRIVE PIN STAINLESS              | 2.000 EA |
| LB1119                 | WARNING LABEL                            | 1.000 EA |
| LB1125C02              | SUPER-E (STOCK CTN LABEL SUPER-E WITH FL | 4.000 EA |
| LB1357                 | ENERGY GUIDE LABEL (BOX LABEL)           | 1.000 SH |
| LC0181                 | CONNECTION LABEL                         | 1.000 EA |
| NP1260E                | SS CP SUPER-E UL CSA CC                  | 1.000 EA |
| 10PA1000               | PACKAGING GROUP COMBINED PRINT PK1023A06 | 1.000 EA |

**Performance Data at 460V, 60Hz, 30.0HP (Typical performance - Not guaranteed values)**

| General Characteristics  |                                |        |        |                      |             |        |        |
|--------------------------|--------------------------------|--------|--------|----------------------|-------------|--------|--------|
| Full Load Torque:        | 44.5 LB-FT                     |        |        | Start Configuration: | DOL         |        |        |
| No-Load Current:         | 9.03 Amps                      |        |        | Break-Down Torque:   | 162.0 LB-FT |        |        |
| Line-line Res. @ 25°C.:  | 0.24 Ohms A Ph / 0.0 Ohms B Ph |        |        | Pull-Up Torque:      | 58.1 LB-FT  |        |        |
| Temp. Rise @ Rated Load: | 61 C                           |        |        | Locked-Rotor Torque: | 76.4 LB-FT  |        |        |
| Temp. Rise @ S.F. Load:  | 76 C                           |        |        | Starting Current:    | 215.0 Amps  |        |        |
| Load Characteristics     |                                |        |        |                      |             |        |        |
| % of Rated Load          | 25                             | 50     | 75     | 100                  | 125         | 150    | S.F.   |
| Power Factor:            | 64.0                           | 83.0   | 88.0   | 90.0                 | 91.0        | 91.0   | 91.0   |
| Efficiency:              | 90.1                           | 93.2   | 93.6   | 93.1                 | 92.3        | 91.1   | 92.6   |
| Speed:                   | 3579.0                         | 3560.0 | 3542.0 | 3522.0               | 3500.0      | 3474.0 | 3509.0 |
| Line Amperes:            | 12.1                           | 18.4   | 25.4   | 33.3                 | 41.8        | 51.0   | 38.4   |

Performance Graph at 460V, 60Hz, 30.0HP Typical performance - Not guaranteed values



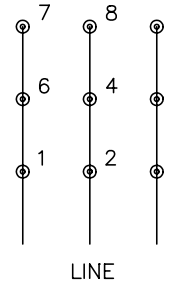




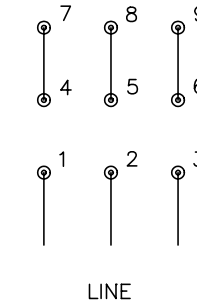
CD0180



LOW VOLTAGE  
(2D)



HIGH VOLTAGE  
(1D)



NOTES:

1. INTERCHANGE ANY TWO LINE LEADS TO REVERSE ROTATION.
2. OPTIONAL THERMOSTATS ARE PROVIDED WHEN SPECIFIED.
3. ACTUAL NUMBER OF INTERNAL PARALLEL CIRCUITS MAY BE A MULTIPLE OF THOSE SHOWN ABOVE.
4. LEAD COLORS ARE OPTIONAL. LEADS MUST ALWAYS BE NUMBERED AS SHOWN.

|   |         |                        |              |
|---|---------|------------------------|--------------|
| REV. DESC: REVISE TO SHOW OPTIONAL COLORS |         |                        |              |
| REV. LTR: C                               | BY: JLP | REVISED: 01/21/99 2:28 | TDR: 0171435 |
| 0810D0                                    |         | FILE: AAA00005148      | MDL: -       |
|   |         | MTL: -                 |              |

**BALDOR ELECTRIC Co.**

3PH, DV, 9 LEADS, DELTA CONNECTION

CD0180