

BALDOR® • *RELIANCE*

Product Information Packet

CECP84103T-4

25HP, 1780RPM, 3PH, 60HZ, 284TC, 1050M, TEFC, F

Copyright © All product information within this document is subject to Baldor Electric Company copyright © protection, unless otherwise noted.

Part Detail							
Revision:	A	Status:	PRD/A	Change #:		Proprietary:	No
Type:	AC	Prod. Type:	1050M	Elec. Spec:	10WGW725	CD Diagram:	
Enclosure:	TEFC	Mfg Plant:		Mech. Spec:	10H404	Layout:	
Frame:	284TC	Mounting:	F1	Poles:	04	Created Date:	10-15-2012
Base:	RG	Rotation:	R	Insulation:	F	Eff. Date:	10-26-2012
Leads:	3#10	Literature:		Elec. Diagram:		Replaced By:	

Nameplate NP2155

STK.NO.	CECP84103T-4	P/N		ENCLOSURE	TEFC		
SPEC.	10H404W725	CC	010A	FRAME	284TC	S/N	
HP	25	CLASS	F	HZ	60		
RPM	1780	T. CODE	T3	PH	3	DES	B
VOLT	460	KVA-CODE	G	ODE BRG	6311	DE BRG	6311
AMP	30.5	MOTOR WEIGHT	422				
RATING	40C AMB-CONT	MAX. KVAR	7.4	GREASE	POLYREX EM		
NEMA-NOM-EFF	93.6	# OF ROTOR BARS	40	SER.F.	1.15		
G.MIN.EFF	92.4	# OF STATOR SLOTS	48	PF	82		
HTR-VOLTS		HTR-AMPS		MAX. SPACE HEATER TEMP.			

Parts List		
Part Number	Description	Quantity
SA252738	SA 10H404W725	1.000 EA
RA239563	RA 10H404W725	1.000 EA
WD1000B16	KPA-4C BURNDY TERMINAL	1.000 EA
10XN2520K06	1/4-20 X 3/8" HX HD SCREWGRADE 5, ZINC P	1.000 EA
10CB1000A09P	CONDUIT BOX, MACH W/EPOXY PRIMER	1.000 EA
09GS1010	GASKET, DWG, LEADWIRE SEPERATOR	1.000 EA
10XN3118K16	5/16-18 X 1" GRADE #5, STL, ZINC PLATE	4.000 EA
HW1001A31	LOCKWASHER 5/16, ZINC PLT.591 OD, .319 I	4.000 EA
WD1000B16	KPA-4C BURNDY TERMINAL	1.000 EA
10XN2520K06	1/4-20 X 3/8" HX HD SCREWGRADE 5, ZINC P	1.000 EA
HW1001A25	LOCKWASHER 1/4, ZINC PLT .493 OD, .255 I	1.000 EA
10XN3816K32	BOLT, 3/8-16X2 HH YZ(5)	4.000 EA
HW1001A38	LOCKWASHER 3/8, ZINC PLT .688 OD, .382 I	4.000 EA
HW4500A20	1/8NPT SL PIPE PLUG	1.000 EA
HA4017A02	.125X2.50 GREASER EXTENS.F/S	1.000 EA
HA4017A10	1/8X1.25 GREASE EXT (F/S)	1.000 EA
HA4024A02	1/8 DOUBLE FEMALE SS CPLG, MCM #4464K351	1.000 EA
HA4002A01	DRAIN PLUG STAINLESS STL	1.000 EA
HW4601A53	INPRO/SEAL VBXX FOR 311 BEARING/310 FRAM	1.000 EA
HW5100A13	W4627-047 WVY WSHER	1.000 EA
10XN3118K40	5/16-18 X 2.50" HEX HD, GRADE 5	4.000 EA
10EP1305A116P	PU ENDPLATE, MACH W/INPRO SEAL & EPOXY P	1.000 EA
10XN3816K28	3/8-16 X 1.75 HEX HD CAP SCREW, GRADE 5	4.000 EA
HW1001A38	LOCKWASHER 3/8, ZINC PLT .688 OD, .382 I	4.000 EA

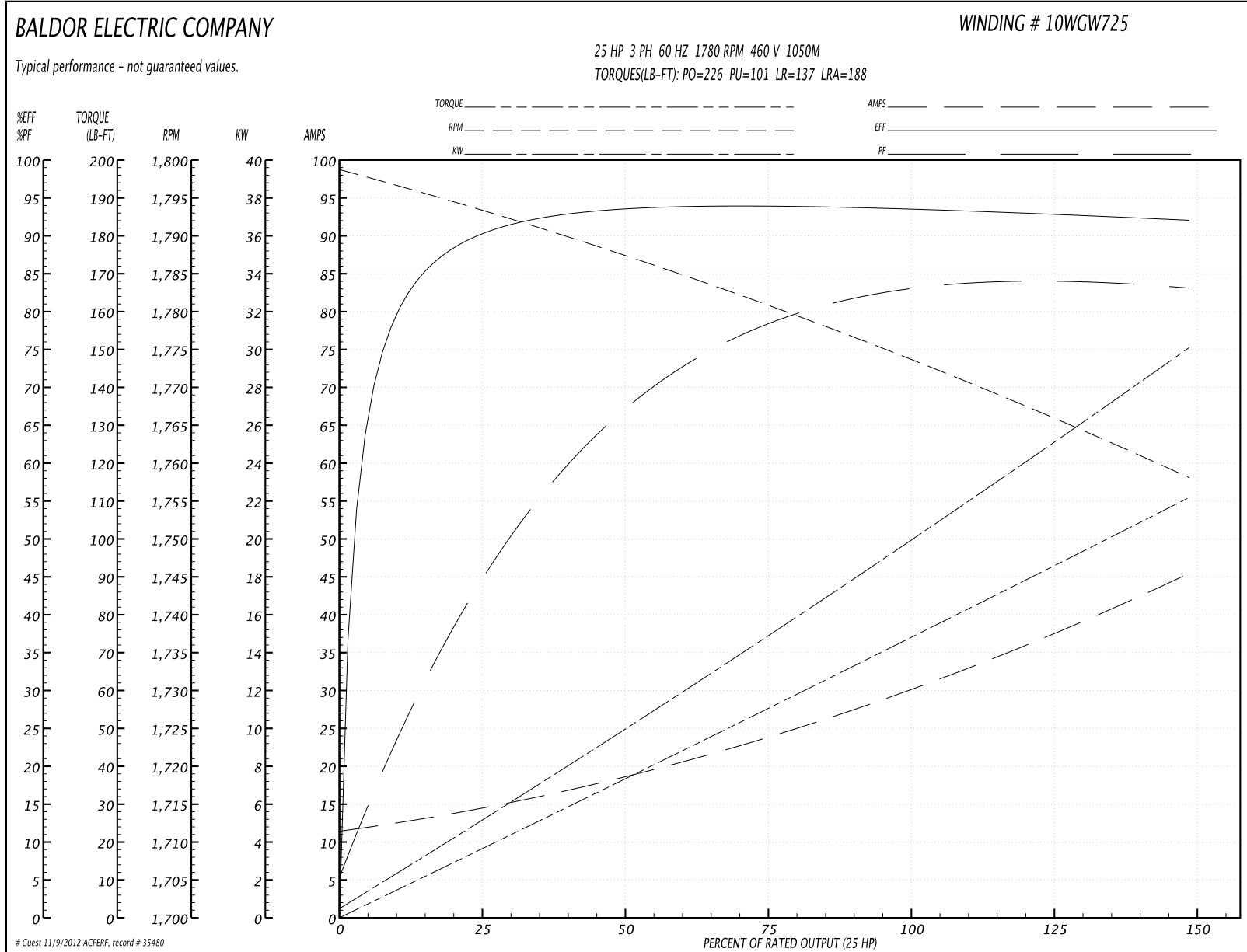
Parts List (continued)		
Part Number	Description	Quantity
HW4500A20	1/8NPT SL PIPE PLUG	1.000 EA
HA4002A01	DRAIN PLUG STAINLESS STL	1.000 EA
HW4601A53	INPRO/SEAL VBXX FOR 311 BEARING/310 FRAM	1.000 EA
10XN3118K40	5/16-18 X 2.50" HEX HD, GRADE 5	4.000 EA
10FH1007A24P	FAN COVER, MACH W/EPOXY PRIMER	1.000 EA
10XN3118K16	5/16-18 X 1" GRADE #5, STL, ZINC PLATE	3.000 EA
HW1001A31	LOCKWASHER 5/16, ZINC PLT.591 OD, .319 I	3.000 EA
10CB1503A01P	CONDUIT BOX LIPPED LID, MACH W/EPXY PRMR	1.000 EA
14GS1003	GASKET CONDUIT BOX LID, NEOP	1.000 EA
10XN2520K16	1/4-20 X 1" HX HD SCRW GRADE 5, ZINC P	4.000 EA
HW1001A25	LOCKWASHER 1/4, ZINC PLT .493 OD, .255 I	4.000 EA
MJ5004A59	ADHESIVE LOCTITE #401 SURFACE INSENSITIV	1.000 EA
HW2501H28	KEY, 1/2 SQ X 3.250	1.000 EA
MJ5001A01	46-665 RED SEALER	0.031 QT
MJ5001A14	DYNAPRO SEAL, CP MOTORS VC#2508050 (603	0.026 EA
LB1115	LABEL,LIFTING DEVICE	1.000 EA
LB5040	INSTRUCTION TAG, AC & DC	1.000 EA
LB1002	LABEL,MARINE DUTY (ON ROLLS)	1.000 EA
WD1000B49	TERMINAL BURNDY YAV10-T4	3.000 EA
10EP1110A02GP6	FR ENDPLATE, MACH W/PRIMER & PAINT	1.000 EA
HW4500A21	1618BALEMITE FITTING 825 UNIVERSAL	1.000 EA
HW4500A17	317400 ALEMITE GREASE RELIEF	1.000 EA
HA4051A00	PLASTIC CAP FOR GREASE FITTING	1.000 EA
MJ1000A75	GREASE, POLYREX EM EXXON	0.130 LB

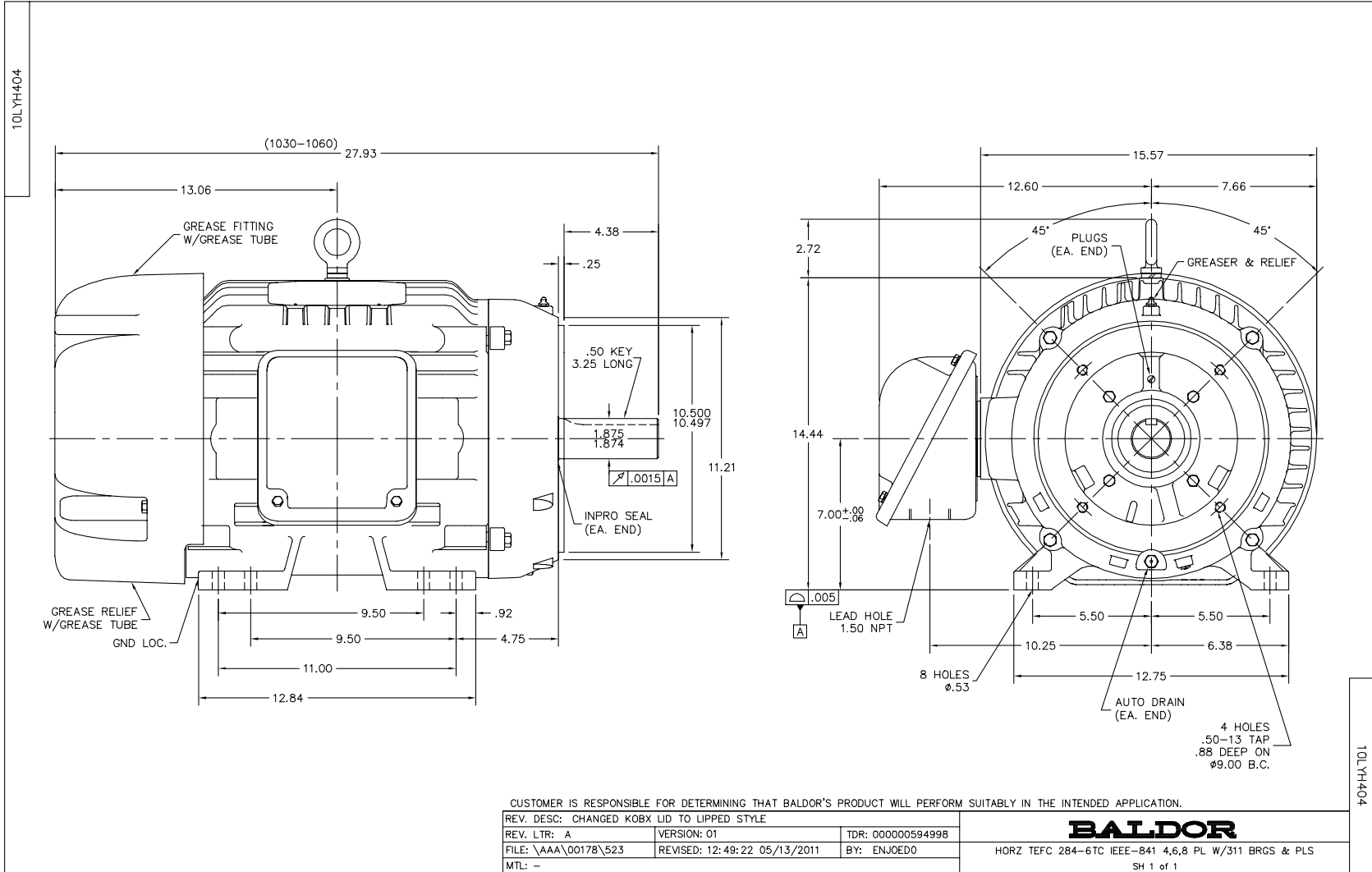
Parts List (continued)		
Part Number	Description	Quantity
HA4051A00	PLASTIC CAP FOR GREASE FITTING	1.000 EA
HW4500A03	GREASE FITTING, .125 NPT 1610(ALEMITE) 8	1.000 EA
HW4500A17	317400 ALEMITE GREASE RELIEF	1.000 EA
09FN3001C02	EXTERNAL FAN, PLASTIC	1.000 EA
HW2500A25	WOODRUFF KEY USA #1008 #BLOW CARBON STEE	1.000 EA
51XB1214A20	12-14X1.25 HXWSSLD SERTYB	1.000 EA
MG1025N19	PAINT, 778.50 WILKO, RELIANCE ELEC GREEN	0.070 GA
85XU0407S04	4X1/4 U DRIVE PIN STAINLESS	4.000 EA
LB1449	DIV-2/NEC WARNING LABEL	1.000 EA
LB1119	WARNING LABEL	1.000 EA
LB1125C02	SUPER-E (STOCK CTN LABEL SUPER-E WITH FL	4.000 EA
LB1357	ENERGY GUIDE LABEL (BOX LABEL)	1.000 SH
LC0006	CONNECTION LABEL	1.000 EA
NP2155	IEEE-841,NP, ECP, DIV 2	1.000 EA
10PA1000	PACKAGING GROUP COMBINED PRINT PK1023A06	1.000 EA

Performance Data at 460V, 60Hz, 25.0HP (Typical performance - Not guaranteed values)

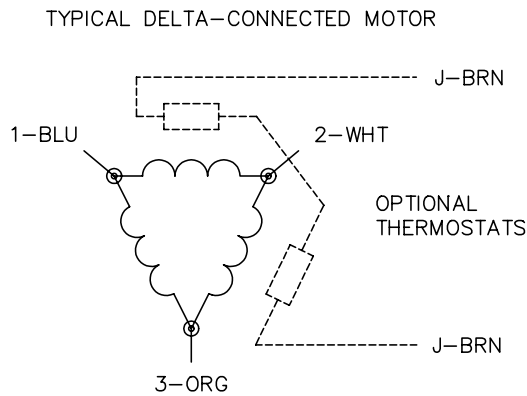
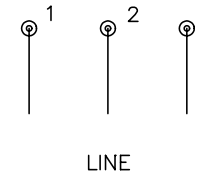
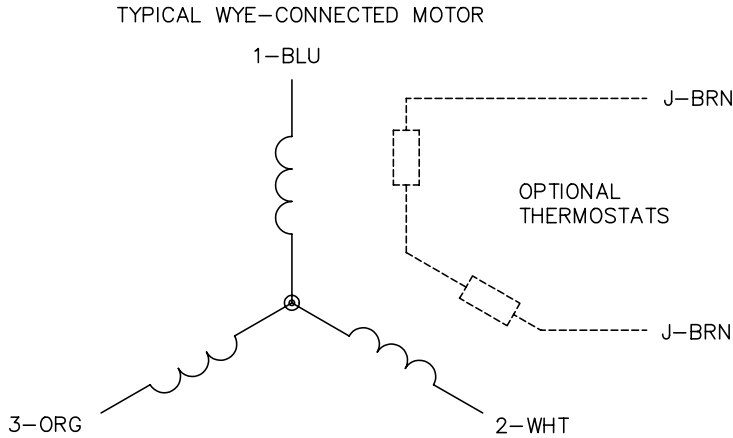
General Characteristics							
Full Load Torque:	74.0 LB-FT			Start Configuration:	DOL		
No-Load Current:	11.9 Amps			Break-Down Torque:	226.0 LB-FT		
Line-line Res. @ 25°C.:	0.286 Ohms A Ph / 0.0 Ohms B Ph			Pull-Up Torque:	101.0 LB-FT		
Temp. Rise @ Rated Load:	51 C			Locked-Rotor Torque:	137.0 LB-FT		
Temp. Rise @ S.F. Load:	62 C			Starting Current:	188.0 Amps		
Load Characteristics							
% of Rated Load	25	50	75	100	125	150	S.F.
Power Factor:	47.0	69.0	78.0	82.0	84.0	84.0	83.0
Efficiency:	90.2	93.4	93.9	93.6	92.9	92.0	93.2
Speed:	1793.0	1787.0	1781.0	1774.0	1766.0	1758.0	1769.0
Line Amperes:	13.9	18.4	24.1	30.5	37.5	45.2	34.7

Performance Graph at 460V, 60Hz, 25.0HP Typical performance - Not guaranteed values





CD0006



NOTES:

1. THREE LEAD MOTOR MAY BE EITHER WYE CONNECTED OR DELTA CONNECTED.
2. INTERCHANGE ANY TWO LINE LEADS TO REVERSE ROTATION.
3. OPTIONAL THERMOSTATS ARE PROVIDED WHEN SPECIFIED.
4. ACTUAL NUMBER OF INTERNAL PARALLEL CIRCUITS MAY VARY.
5. LEAD COLORS ARE OPTIONAL. LEADS MUST BE NUMBERED AS SHOWN.

REV. DESC: REVISE TO SHOW OPTIONAL COLORS			
REV. LTR: D	BY: JLP	REVISED: 01/21/99 4:02	TDR: 0171435
9000D		FILE: AAA00005141	MDL: -
		MTL: -	

BALDOR ELECTRIC Co.

3PH, SV, 3 LEADS, WYE OR DELTA CONNECTED

CD0006

LT0019A00																	
<p style="text-align: center;">BALDOR MOTORS AND DRIVES</p> <p> <input type="checkbox"/> IEEE 841 <input type="checkbox"/> SPECIAL TEST <input type="checkbox"/> OTHER SPEC. _____ .250 _____ CAT. _____ 2.563 _____ G.O. _____ / _____ S/N _____ NO LOAD _____ VOLTAGE L1: _____ L2: _____ L3: _____ AMPS L1: _____ L2: _____ L3: _____ .375 _____ RESISTANCE L1: _____ L2: _____ L3: _____ .375 _____ RPM _____ ROTATION <input type="checkbox"/> CW <input type="checkbox"/> CCW HEATER RESISTANCE _____ (WHEN REQ'D) VIBRATION (IN/SEC.) _____ OPPOSITE DRIVE END DRIVE END HORZ. VERT. HORZ. VERT. AXIAL. 1.625 .875 .875 .875 TESTER _____ DATE / / OTHER _____ .375 (TYP) _____ 1.125 _____ 3.000 _____ 2.000 _____ 2.688 _____ </p>	<p>NOTE:</p> <ol style="list-style-type: none"> 1) BALDOR LOGO, "NO LOAD", AND "VIBRATION (IN/SEC.)" TO BE CENTERED ON PAGE. 2) "IEEE", "SPECIAL TEST", AND "OTHER" TO BE $\frac{3}{16}$" HIGH. 3) "HEATER RESISTANCE (WHEN REQ'D)" AND "LT0019A00" TO BE $\frac{3}{32}$" HIGH. 4) ALL OTHER LETTERING TO BE $\frac{1}{8}$" HIGH. <p style="text-align: center;">MTL: 5.5" X 7" 2 PART CARBONLESS WHITE/MANILA</p>																
<table border="1" style="width: 100%; border-collapse: collapse;"> <tr> <td colspan="2">REV. DESC: ADD DIMENSIONS AND MATERIAL INFO</td> <td colspan="2" style="text-align: center;">BALDOR</td> </tr> <tr> <td>REV. LTR: D</td> <td>VERSION: 01</td> <td colspan="2">TDR: 000000724943</td> </tr> <tr> <td>FILE: \AAA\00070\447</td> <td colspan="2">REVISED: 04:02:06 08/22/2012</td> <td style="text-align: center;">MOTOR NO LOAD PERFORMANCE DATA SHEET</td> </tr> <tr> <td colspan="2">MTL: 5.5 X 7 2 PART CARBONLESS WHITE/MANILA</td> <td>BY: ENJERWO</td> <td style="text-align: center;">SH 1 of 1</td> </tr> </table>		REV. DESC: ADD DIMENSIONS AND MATERIAL INFO		BALDOR		REV. LTR: D	VERSION: 01	TDR: 000000724943		FILE: \AAA\00070\447	REVISED: 04:02:06 08/22/2012		MOTOR NO LOAD PERFORMANCE DATA SHEET	MTL: 5.5 X 7 2 PART CARBONLESS WHITE/MANILA		BY: ENJERWO	SH 1 of 1
REV. DESC: ADD DIMENSIONS AND MATERIAL INFO		BALDOR															
REV. LTR: D	VERSION: 01	TDR: 000000724943															
FILE: \AAA\00070\447	REVISED: 04:02:06 08/22/2012		MOTOR NO LOAD PERFORMANCE DATA SHEET														
MTL: 5.5 X 7 2 PART CARBONLESS WHITE/MANILA		BY: ENJERWO	SH 1 of 1														

LT0019A00