

BALDOR® • RELIANCE

Product Information Packet

WALKER INDUSTRIAL PRODUCTS, INC.

CEM31112

.75HP, 1730RPM, 3PH, 60HZ, 56C, 3516M, OPEN, F1

Part Detail							
Revision:	B	Status:	PRD/A	Change #:		Proprietary:	No
Type:	AC	Prod. Type:	3516M	Elec. Spec:	35WGN725	CD Diagram:	CD0005
Enclosure:	OPEN	Mfg Plant:		Mech. Spec:	35B012	Layout:	35LYB012
Frame:	56C	Mounting:	F1	Poles:	04	Created Date:	09-30-2014
Base:	RG	Rotation:	R	Insulation:	F	Eff. Date:	04-02-2015
Leads:	9#18					Replaced By:	
Literature:		Elec. Diagram:					

Nameplate NP3155L							
CAT.NO.	CEM31112						
SPEC.	35B012N725G1						
HP	.75						
VOLTS	208-230/460						
AMP	2.1-2/1						
RPM	1730						
FRAME	56C	HZ	60	PH	3		
SER.F.	1.25	CODE	J	DES	B	CL	F
F.L. AVG. EFF.	81.1	PF	84				
RATING	40C AMB-CONT						
CC		USABLE AT 208V					
DE	6205	ODE	6203				
ENCL	OPEN	SN					
	SFA 2.6-2.4/1.2						

AC Induction Motor Performance Data
Record # 47474 - Typical performance - not guaranteed values

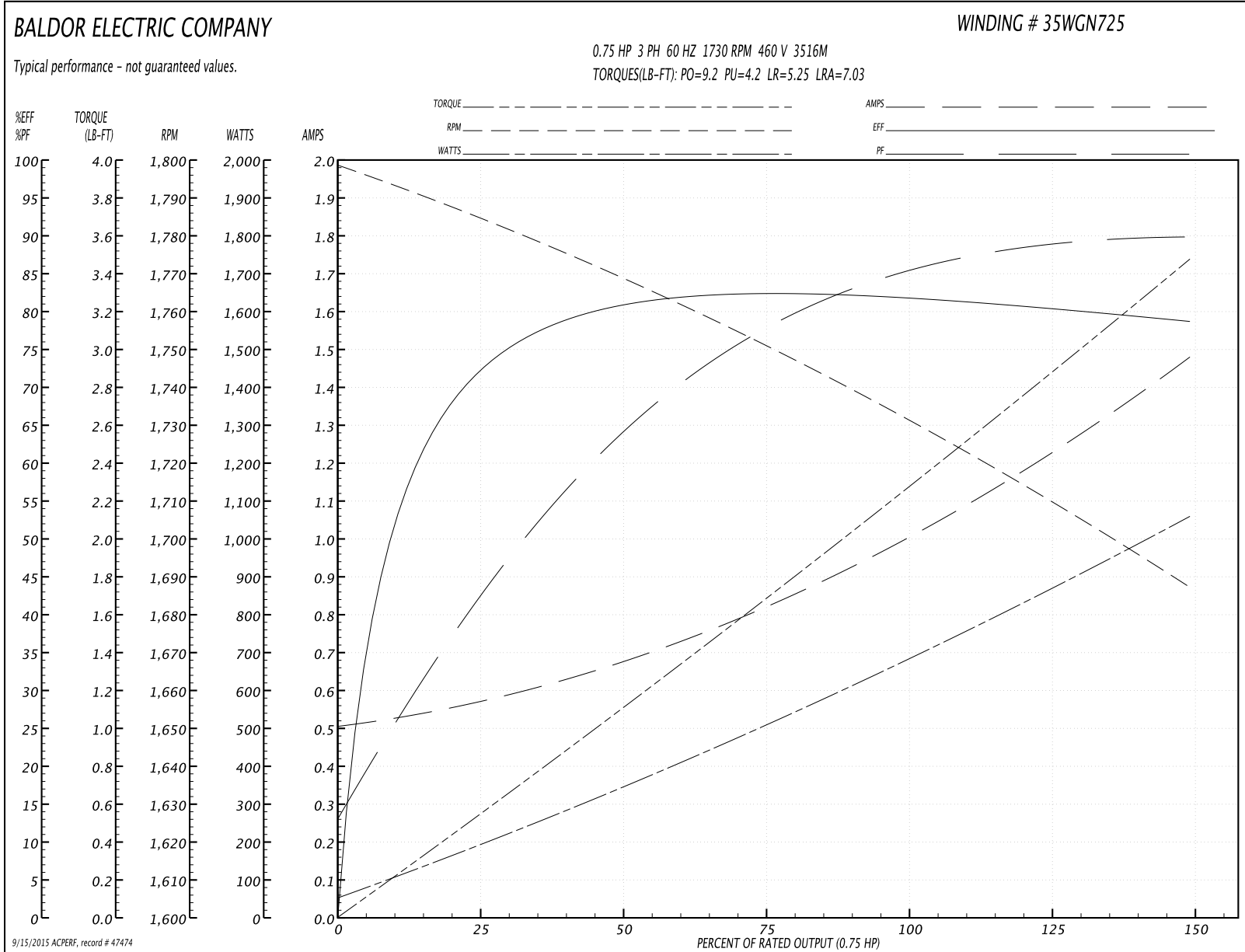
Winding: 35WGN725-R001	Type: 3516M	Enclosure: OPEN
-------------------------------	--------------------	------------------------

Nameplate Data				460 V, 60 Hz: High Voltage Connection	
Rated Output (HP)	.75			Full Load Torque	2.26 LB-FT
Volts	230/460			Start Configuration	direct on line
Full Load Amps	2/1			Breakdown Torque	9.2 LB-FT
R.P.M.	1730			Pull-up Torque	4.2 LB-FT
Hz	60	Phase	3	Locked-rotor Torque	5.25 LB-FT
NEMA Design Code	B	KVA Code	J	Starting Current	7.03 A
Service Factor (S.F.)	1.25			No-load Current	0.51 A
NEMA Nom. Eff.	81.1	Power Factor	84	Line-line Res. @ 25°C	32.1 Ω
Rating - Duty	40C AMB-CONT			Temp. Rise @ Rated Load	20°C
S.F. Amps	2.4/1.2			Temp. Rise @ S.F. Load	27°C
				Rotor inertia	0.0946 LB-FT ²

Load Characteristics 460 V, 60 Hz, 0.75 HP

% of Rated Load	25	50	75	100	125	150	S.F.
Power Factor	44	66	77	84	89	90	89
Efficiency	71.8	80.6	82.3	82	80.8	78.6	80.8
Speed	1784	1768	1752	1732	1711	1687	1711
Line amperes	0.569	0.668	0.822	1.01	1.21	1.48	1.21

Performance Graph at 460V, 60Hz, 0.75HP Typical performance - Not guaranteed values



AC Induction Motor Performance Data

Record # 49391 - Typical performance - not guaranteed values

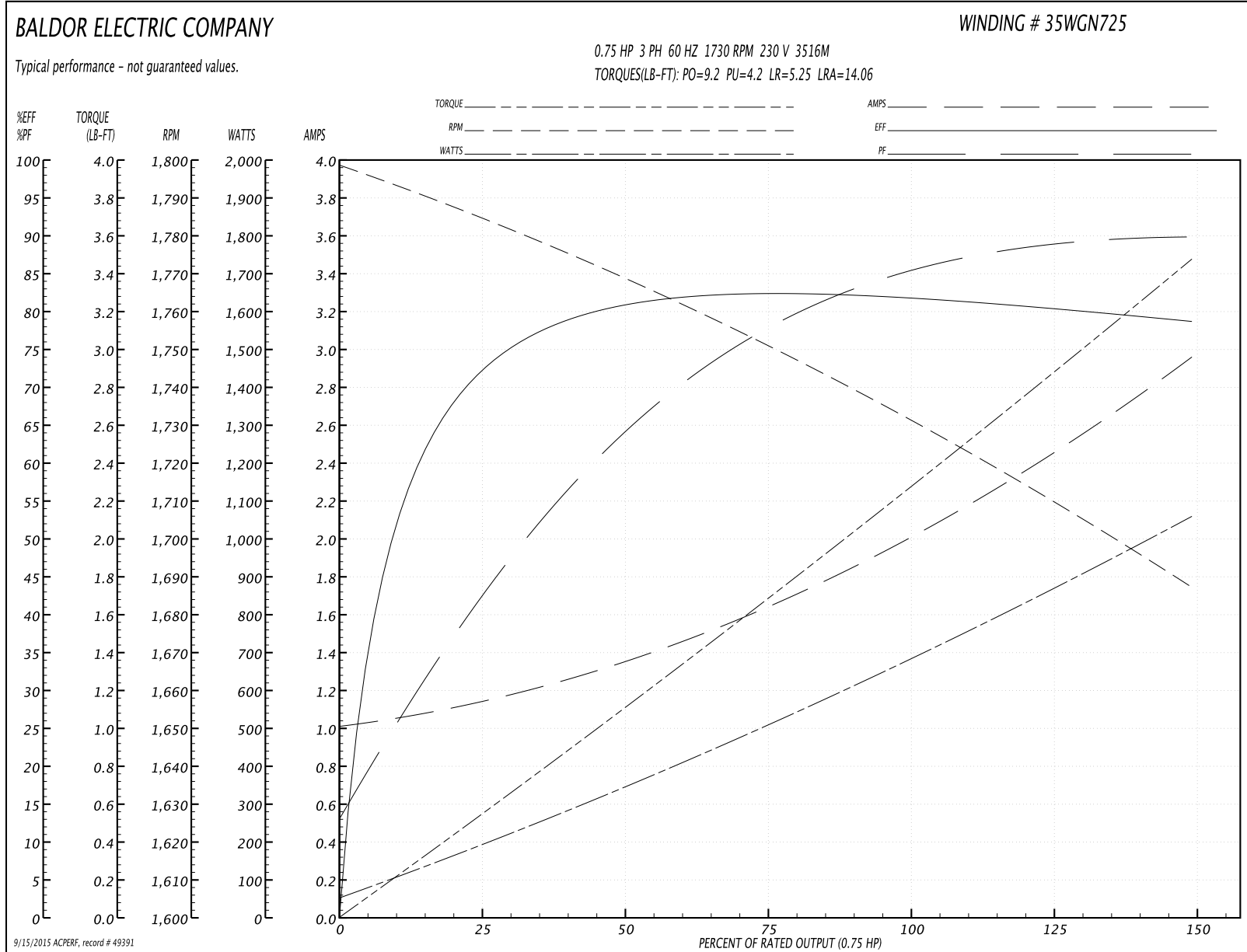
Winding: 35WGN725-R001	Type: 3516M	Enclosure: OPEN
-------------------------------	--------------------	------------------------

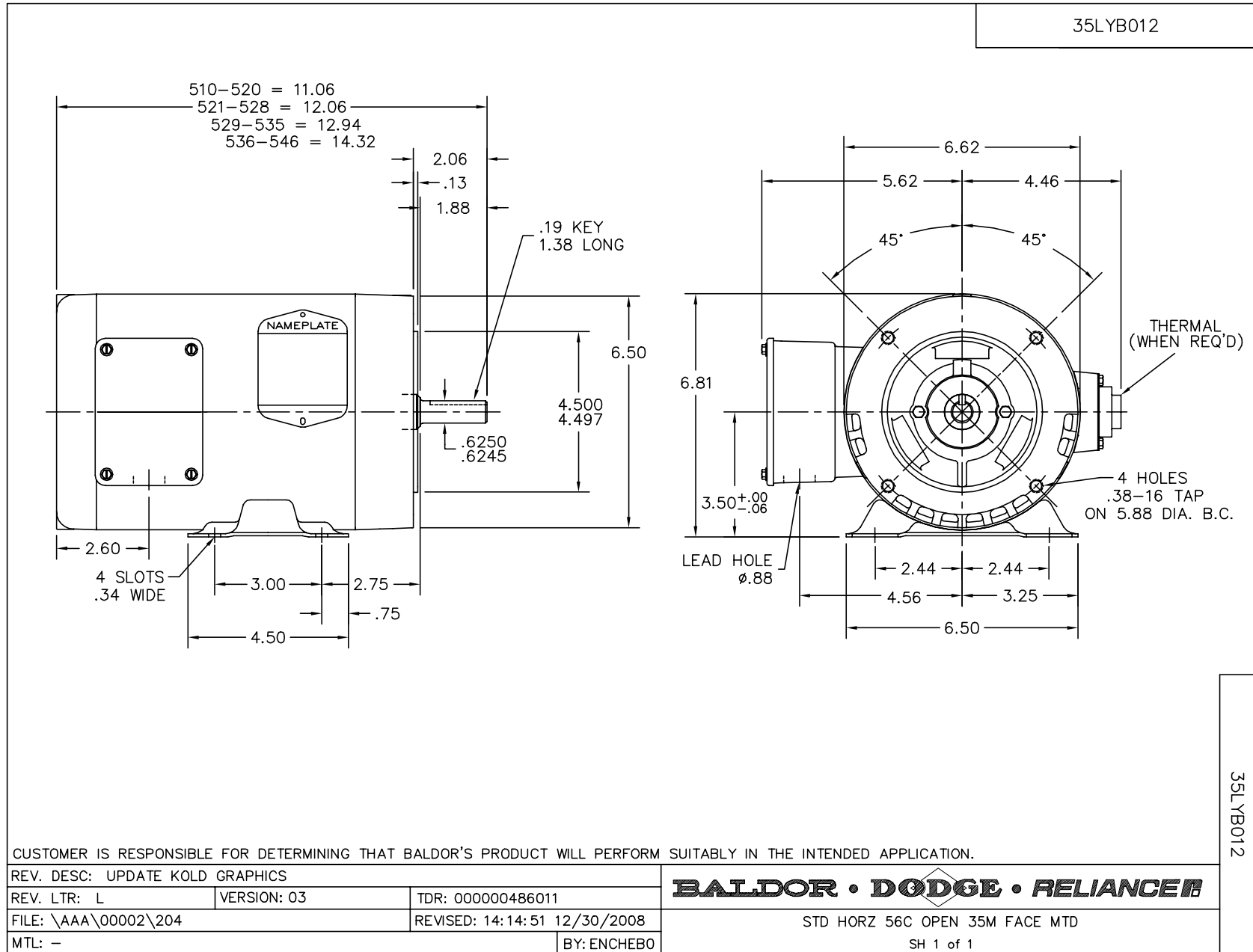
Nameplate Data				230 V, 60 Hz: High Voltage Connection	
Rated Output (HP)	.75			Full Load Torque	2.26 LB-FT
Volts	230/460			Start Configuration	direct on line
Full Load Amps	2/1			Breakdown Torque	9.2 LB-FT
R.P.M.	1730			Pull-up Torque	4.2 LB-FT
Hz	60	Phase	3	Locked-rotor Torque	5.25 LB-FT
NEMA Design Code	B	KVA Code	J	Starting Current	14.06 A
Service Factor (S.F.)	1.25			No-load Current	1.02 A
NEMA Nom. Eff.	81.1	Power Factor	84	Line-line Res. @ 25°C	8.025 Ω
Rating - Duty	40C AMB-CONT			Temp. Rise @ Rated Load	20°C
S.F. Amps	2.4/1.2			Temp. Rise @ S.F. Load	27°C
				Rotor inertia	0.0946 LB-FT ²

Load Characteristics 230 V, 60 Hz, 0.75 HP

% of Rated Load	25	50	75	100	125	150	S.F.
Power Factor	44	66	77	84	89	90	89
Efficiency	71.8	80.6	82.3	82	80.8	78.6	80.8
Speed	1784	1768	1752	1732	1711	1687	1711
Line amperes	1.138	1.336	1.644	2.02	2.42	2.96	2.42

Performance Graph at 230V, 60Hz, 0.75HP Typical performance - Not guaranteed values

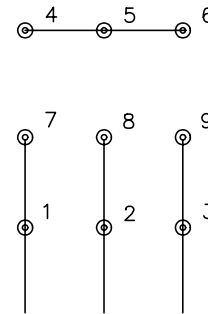




CD0005

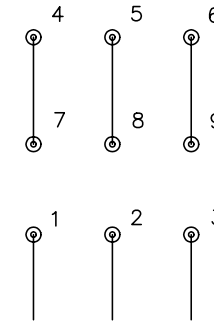


LOW VOLTAGE
(2Y)



LINE

HIGH VOLTAGE
(1Y)



LINE

NOTES:

1. INTERCHANGE ANY TWO LINE LEADS TO REVERSE ROTATION.
2. OPTIONAL THERMOSTATS ARE PROVIDED WHEN SPECIFIED.
3. ACTUAL NUMBER OF INTERNAL PARALLEL CIRCUITS MAY BE A MULTIPLE OF THOSE SHOWN ABOVE.
4. LEAD COLORS ARE OPTIONAL. LEADS MUST ALWAYS BE NUMBERED AS SHOWN.

REV. DESC: REVISE TO SHOW OPTIONAL COLORS			
REV. LTR: E	BY: JLP	REVISED: 01/19/99 10:15	TDR: 0171435
900003		FILE: AAA00005140	MDL: -
		MTL: -	

BALDOR ELECTRIC Co.

3PH, DV, 9 LEADS

CD0005