

BALDOR® • RELIANCE

Product Information Packet

WALKER INDUSTRIAL PRODUCTS, INC.

CEM31155

2HP,3450RPM,3PH,60HZ,56C,3524M,OPEN,F1,N

Part Detail							
Revision:	-	Status:	PRD/A	Change #:		Proprietary:	No
Type:	AC	Prod. Type:	3524M	Elec. Spec:	35WGS254	CD Diagram:	CD0005
Enclosure:	OPEN	Mfg Plant:		Mech. Spec:	35Z564	Layout:	35LYZ564
Frame:	56C	Mounting:	F1	Poles:	02	Created Date:	09-30-2014
Base:	RG	Rotation:	R	Insulation:	B	Eff. Date:	10-01-2014
Leads:	9#18					Replaced By:	
Literature:		Elec. Diagram:					

Nameplate NP3155L							
CAT.NO.	CEM31155						
SPEC.	35Z564S254G1						
HP	2						
VOLTS	230/460						
AMP	5.2/2.6						
RPM	3450						
FRAME	56C	HZ	60	PH	3		
SER.F.	1.15	CODE	K	DES	B	CL	B
F.L. AVG. EFF.	85.5	PF	85				
RATING	40C AMB-CONT						
CC		USABLE AT 208V					
DE	6205	ODE	6203				
ENCL	OPEN	SN					

AC Induction Motor Performance Data

Record # 47466 - Typical performance - not guaranteed values

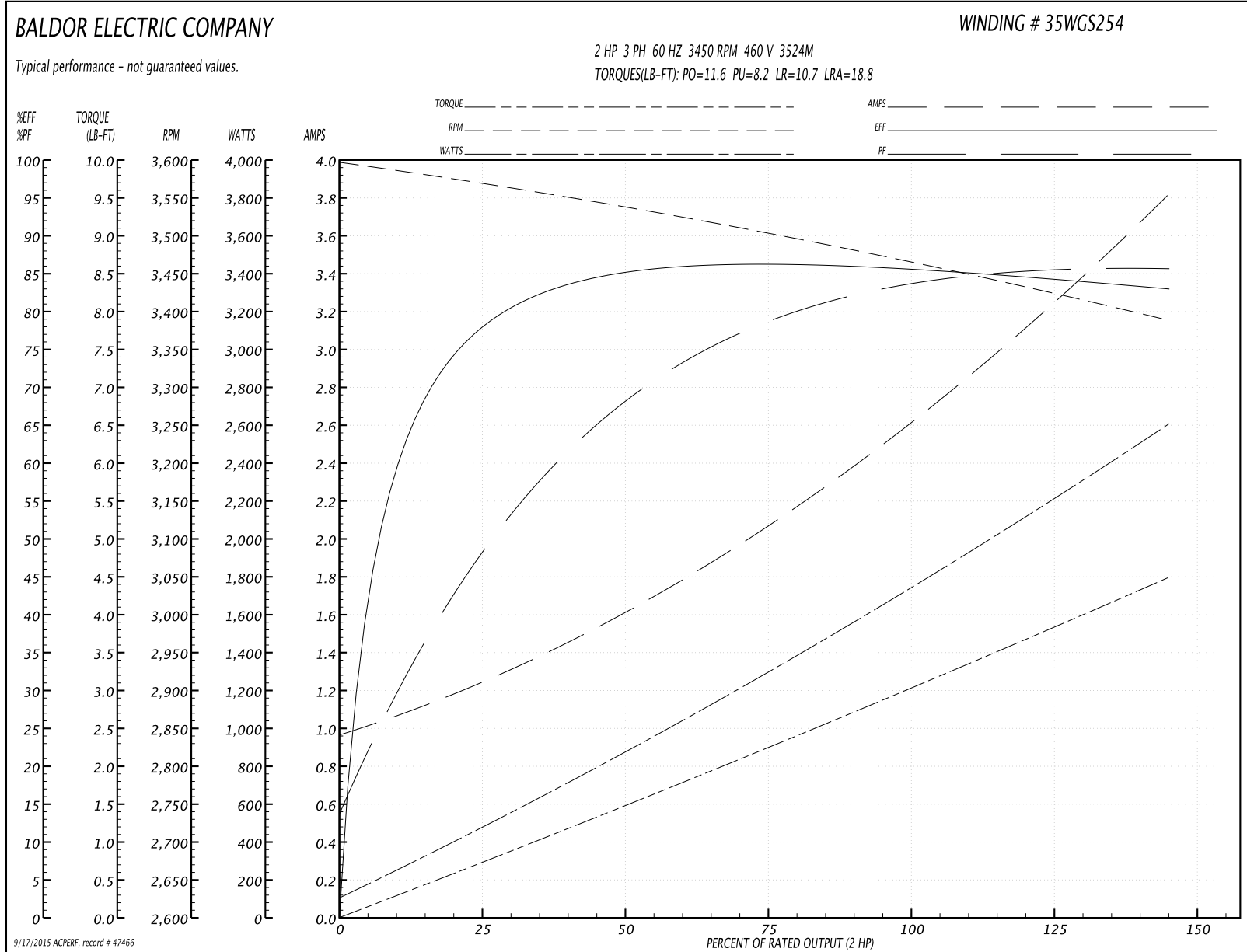
Winding: 35WGS254-R001	Type: 3524M	Enclosure: OPEN
-------------------------------	--------------------	------------------------

Nameplate Data				460 V, 60 Hz: High Voltage Connection	
Rated Output (HP)	2			Full Load Torque	3 LB-FT
Volts	230/460			Start Configuration	direct on line
Full Load Amps	5.2/2.6			Breakdown Torque	11.6 LB-FT
R.P.M.	3450			Pull-up Torque	8.2 LB-FT
Hz	60	Phase	3	Locked-rotor Torque	10.7 LB-FT
NEMA Design Code	B	KVA Code	K	Starting Current	18.8 A
Service Factor (S.F.)	1.15			No-load Current	1 A
NEMA Nom. Eff.	85.5	Power Factor	85	Line-line Res. @ 25°C	8.08 Ω
Rating - Duty	40C AMB-CONT			Temp. Rise @ Rated Load	36°C
S.F. Amps				Temp. Rise @ S.F. Load	43°C
				Rotor inertia	0.0657 LB-FT ²

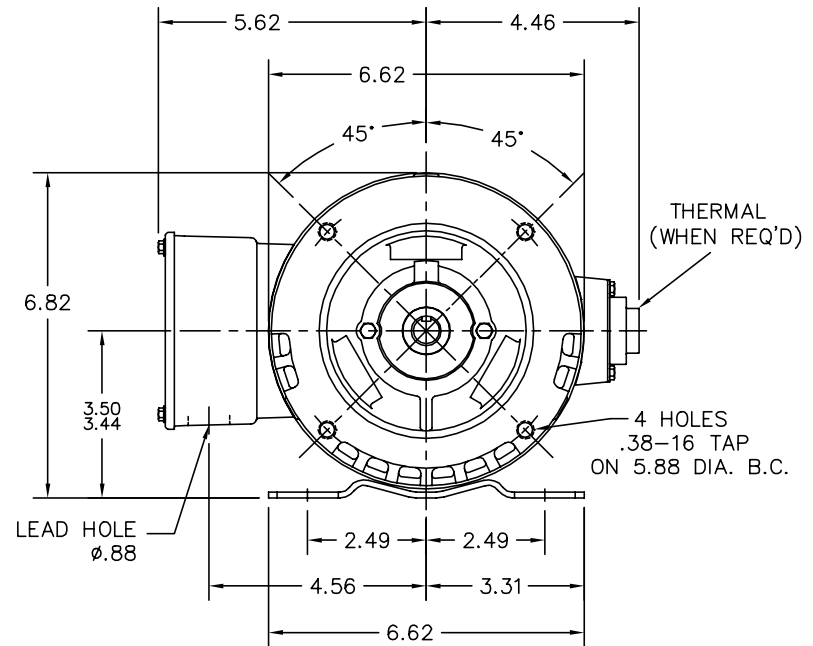
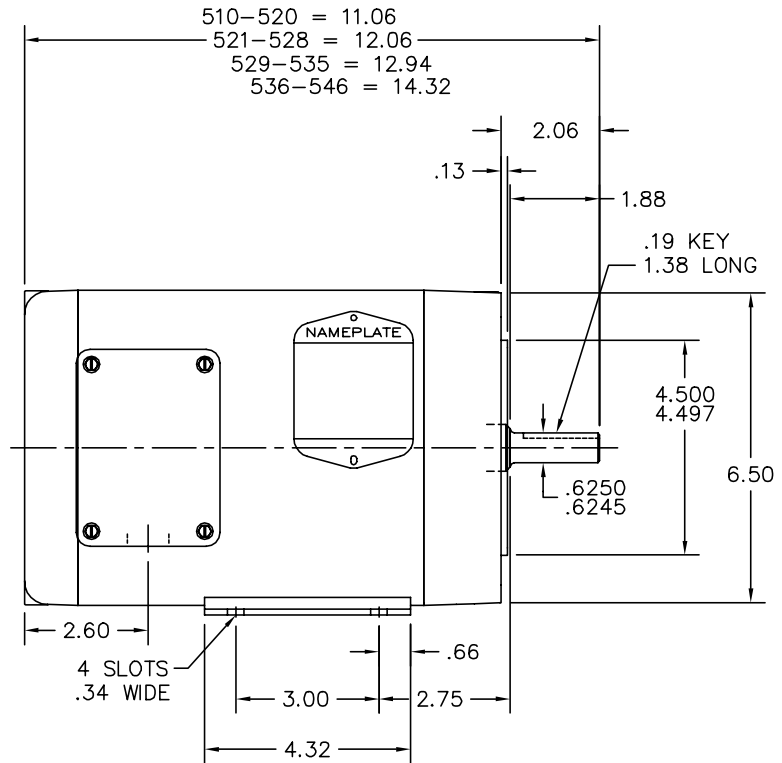
Load Characteristics 460 V, 60 Hz, 2 HP

% of Rated Load	25	50	75	100	125	150	S.F.
Power Factor	54	73	82	86	88	88	87
Efficiency	78.2	84.9	86.2	85.8	84.5	82.9	85
Speed	3566	3536	3504	3469	3429	3387	3445
Line amperes	1.2	1.6	2.1	2.6	3.2	3.8	3

Performance Graph at 460V, 60Hz, 2.0HP Typical performance - Not guaranteed values



35LYZ564



CUSTOMER IS RESPONSIBLE FOR DETERMINING THAT BALDOR'S PRODUCT WILL PERFORM SUITABLY IN THE INTENDED APPLICATION.

REV. DESC: NEW		
REV. LTR: -	VERSION: 00	TDR: 000000592350
FILE: \AAA\00181\870		REVISED: 01:06:42 04/29/2011
MTL: -		BY: ENROSTO

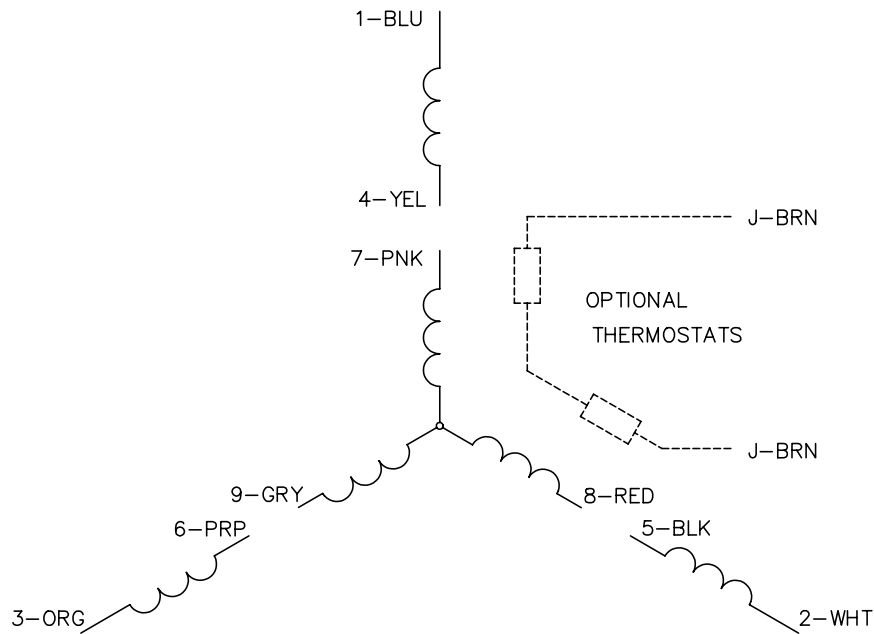
BALDOR • DODGE • RELIANCE

STD HOR 56C OPEN 35M 2 POLE "W" BASE 35BA4010

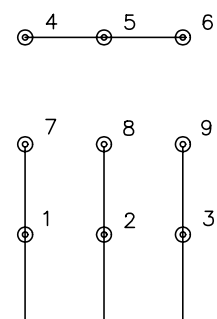
SH 1 of 1

35LYZ564

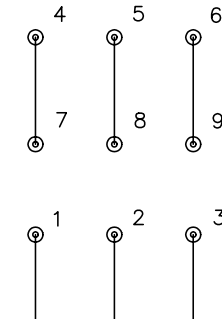
CD0005



LOW VOLTAGE
(2Y)



HIGH VOLTAGE
(1Y)



NOTES:

1. INTERCHANGE ANY TWO LINE LEADS TO REVERSE ROTATION.
2. OPTIONAL THERMOSTATS ARE PROVIDED WHEN SPECIFIED.
3. ACTUAL NUMBER OF INTERNAL PARALLEL CIRCUITS MAY BE A MULTIPLE OF THOSE SHOWN ABOVE.
4. LEAD COLORS ARE OPTIONAL. LEADS MUST ALWAYS BE NUMBERED AS SHOWN.

REV. DESC: REVISE TO SHOW OPTIONAL COLORS			
REV. LTR: E	BY: JLP	REVISED: 01/19/99 10:15	TDR: 0171435
9000D		FILE: AAA00005140	MDL: -
		MTL: -	

BALDOR ELECTRIC Co.

3PH, DV, 9 LEADS

CD0005