

# **BALDOR® • RELIANCE**

## **Product Information Packet**

# **CEM3116T**

**1HP,1760RPM,3PH,60HZ,143TC,3519M,OPSB,F1**

Copyright © All product information within this document is subject to Baldor Electric Company copyright © protection, unless otherwise noted.

Part Detail									
Revision:	B	Status:	PRD/A	Change #:		Proprietary:	No		
Type:	AC	Prod. Type:	3519M	Elec. Spec:	35WGM492	CD Diagram:			
Enclosure:	OPSB	Mfg Plant:		Mech. Spec:	35BB102	Layout:			
Frame:	143TC	Mounting:	F1	Poles:	04	Created Date:	08-04-2010		
Base:	RG	Rotation:	R	Insulation:	F	Eff. Date:	03-15-2011		
Leads:	9#18	Literature:		Elec. Diagram:		Replaced By:			
Nameplate NP1259L									
CAT.NO.	CEM3116T								
SPEC.	35BB102M492G1								
HP	1								
VOLTS	208-230/460								
AMP	3.1-3/1.5								
RPM	1760								
FRAME	143TC	HZ	60	PH	3				
SER.F.	1.15	CODE	L	DES	B	CL	F		
NEMA-NOM-EFF	85.5	PF	71						
RATING	40C AMB-CONT								
CC	010A	USABLE AT 208V	3.1						
DE	6205	ODE	6203						
ENCL	OPSB	SN							

Parts List		
Part Number	Description	Quantity
SA200998	SA 35BB102M492G1	1.000 EA
RA188303	RA 35BB102M492G1	1.000 EA
S/P107-000-001	SUPER E PROC'S-FS & WS PLTS-POLYREX EM G	1.000 EA
NS2512A01	INSULATOR, CONDUIT BOX X	1.000 EA
35CB3009	35 CB CASTING W/1.09 DIA. LEAD HOLE @ 6:	1.000 EA
51XB1016A07	10-16 X 7/16 HXWSSLD SERTYB	2.000 EA
11XW1032G06	10-32 X .38, TAPTITE II, HEX WSHR SLTD U	1.000 EA
35EP3201A01	STD FR ENDPLATE-OPEN-203 BRG W/GREASER	1.000 EA
HW4500A01	1641B(ALEMITE)400 UNIV, GREASE FITT	1.000 EA
HW5100A03SP	WAVY WASHER (W1543-017)	1.000 EA
35EP3400A14	SPL FACE MTD END PLATE - OPEN-143-5TC-05	1.000 EA
HW4500A01	1641B(ALEMITE)400 UNIV, GREASE FITT	1.000 EA
51XN1032A20	10-32 X 1 1/4 HX WS SL SR	2.000 EA
35CB4521	35 LIPPED CB LID (GALV & PHOSPH)	1.000 EA
51XW0832A07	8-32 X .44, TAPTITE II, HEX WSHR SLTD SE	4.000 EA
HW2501D13SP	KEY, 3/16 SQ X 1.375	1.000 EA
HA7000A01	KEY RETAINER 7/8" DIA SHAFT	1.000 EA
85XU0407S04	4X1/4 U DRIVE PIN STAINLESS	2.000 EA
MJ1000A75	GREASE, POLYREX EM EXXON	0.050 LB
MG1000Y03	WILKO 689.710 GOLD PAINT SUPER E	0.017 GA
35AD2005A01	BAFFLE PLATE,MOD 35-SLTD BAND MTRS TDR	2.000 EA
HA3100A14	THRUBOLT 10-32 X 7.875	4.000 EA
LB1125C02	SUPER-E (STOCK CTN LABEL SUPER-E WITH FL	1.000 EA
LC0005E01	CONN.DIA./WARNING LABEL (LC0005/LB1119)	1.000 EA

Parts List (continued)		
Part Number	Description	Quantity
LB1357	ENERGY GUIDE LABEL (BOX LABEL)	1.000 SH
NP1259L	ALUM SUPER-E UL CSA-EEV CC NEMA PREMIUM	1.000 EA
PA1000	PACKING GROUP 3500 SHORT	1.000 EA

**Performance Data at 460V, 60Hz, 1.0HP (Typical performance - Not guaranteed values)**

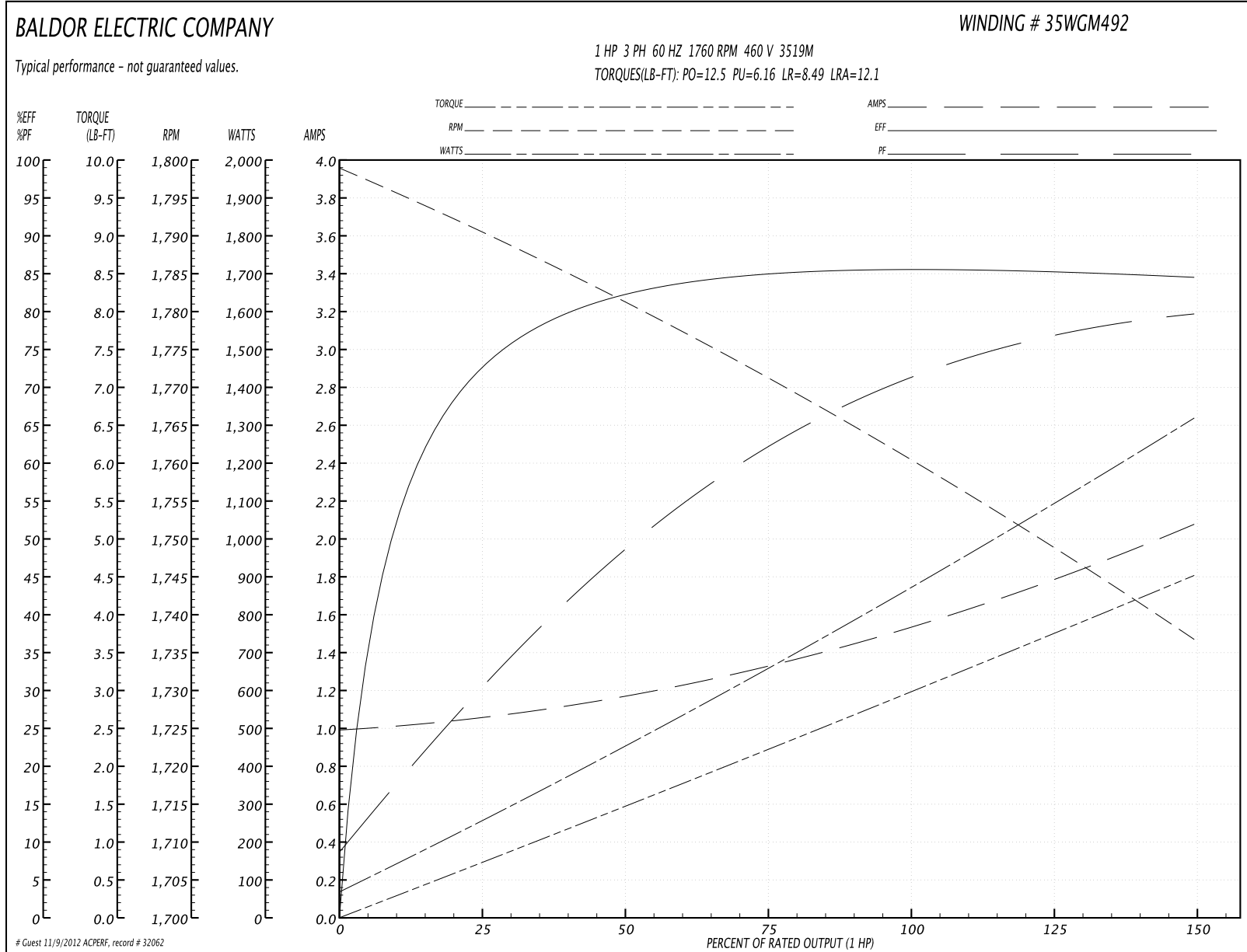
**General Characteristics**

<b>Full Load Torque:</b>	2.97 LB-FT	<b>Start Configuration:</b>	DOL
<b>No-Load Current:</b>	1.0 Amps	<b>Break-Down Torque:</b>	12.5 LB-FT
<b>Line-line Res. @ 25°C.:</b>	16.05 Ohms A Ph / 0.0 Ohms B Ph	<b>Pull-Up Torque:</b>	6.16 LB-FT
<b>Temp. Rise @ Rated Load:</b>	20 C	<b>Locked-Rotor Torque:</b>	8.49 LB-FT
<b>Temp. Rise @ S.F. Load:</b>	24 C	<b>Starting Current:</b>	12.1 Amps

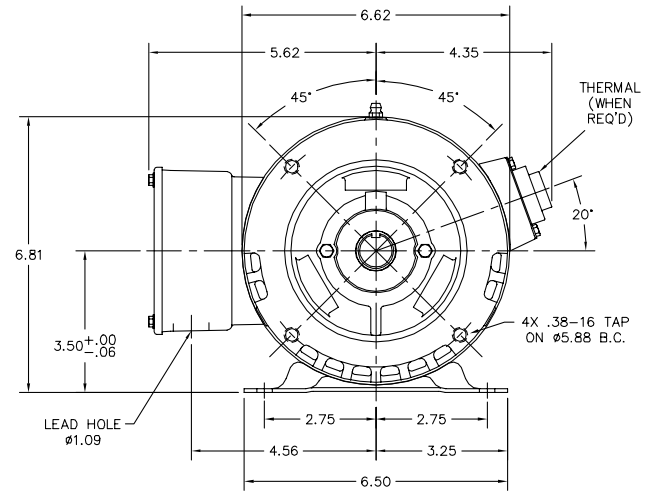
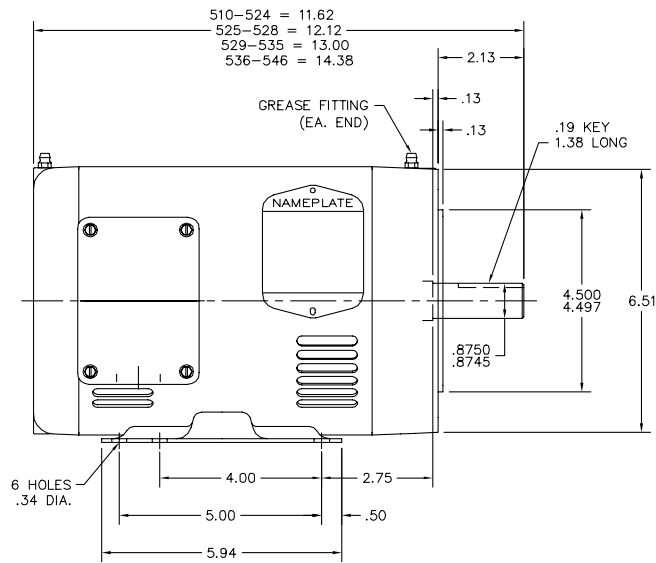
**Load Characteristics**

% of Rated Load	25	50	75	100	125	150	S.F.
<b>Power Factor:</b>	31.0	49.0	62.0	71.0	77.0	80.0	75.0
<b>Efficiency:</b>	72.2	82.1	84.8	85.6	85.3	84.4	85.4
<b>Speed:</b>	1790.9	1781.2	1771.5	1760.7	1749.1	1736.6	1754.0
<b>Line Amperes:</b>	1.05	1.15	1.33	1.54	1.79	2.07	1.69

Performance Graph at 460V, 60Hz, 1.0HP Typical performance - Not guaranteed values



35LYBB102



35LYBB102

CUSTOMER IS RESPONSIBLE FOR DETERMINING THAT BALDOR'S PRODUCT WILL PERFORM SUITABLY IN THE INTENDED APPLICATION.

REV. DESC: NEW	VERSION: 00	TDR: 000000551422
REV. LTR: -	REVISED: 01:39:21 08/03/2010	BY: ENTYLLO
FILE: \AAA\00173\933		
MTL: -		

**BALDOR**

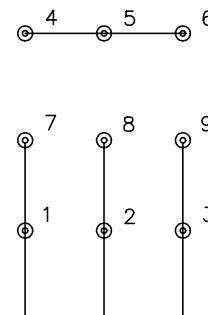
HOR 143-5TC OPSB M W/ 1.09 DIA LEAD HOLE

SH 1 of 1

CD0005



LOW VOLTAGE  
(2Y)



LINE

HIGH VOLTAGE  
(1Y)



LINE

NOTES:

1. INTERCHANGE ANY TWO LINE LEADS TO REVERSE ROTATION.
2. OPTIONAL THERMOSTATS ARE PROVIDED WHEN SPECIFIED.
3. ACTUAL NUMBER OF INTERNAL PARALLEL CIRCUITS MAY BE A MULTIPLE OF THOSE SHOWN ABOVE.
4. LEAD COLORS ARE OPTIONAL. LEADS MUST ALWAYS BE NUMBERED AS SHOWN.

REV. DESC: REVISE TO SHOW OPTIONAL COLORS			
REV. LTR: E	BY: JLP	REVISED: 01/19/99 10:15	TDR: 0171435
90000		FILE: AAA00005140	MDL: -
		MTL: -	

**BALDOR ELECTRIC Co.**

3PH, DV, 9 LEADS

CD0005