

BALDOR® • ***RELIANCE***

Product Information Packet

CEM3212T

5HP,3450RPM,3PH,60HZ,182TC,3623M,OPSB,F1

Copyright © All product information within this document is subject to Baldor Electric Company copyright © protection, unless otherwise noted.

| Part Detail | | | | | | | | | |
|-------------------|--------------|----------------|-------|----------------|----------|---------------|------------|--|--|
| Revision: | A | Status: | PRD/A | Change #: | | Proprietary: | No | | |
| Type: | AC | Prod. Type: | 3623M | Elec. Spec: | 36WGS040 | CD Diagram: | | | |
| Enclosure: | OPSB | Mfg Plant: | | Mech. Spec: | 36B102 | Layout: | | | |
| Frame: | 182TC | Mounting: | F1 | Poles: | 02 | Created Date: | 08-04-2010 | | |
| Base: | RG | Rotation: | R | Insulation: | F | Eff. Date: | 06-09-2011 | | |
| Leads: | 9#16 | Literature: | | Elec. Diagram: | | Replaced By: | | | |
| Nameplate NP1259L | | | | | | | | | |
| CAT.NO. | CEM3212T | | | | | | | | |
| SPEC. | 36B102S040G1 | | | | | | | | |
| HP | 5 | | | | | | | | |
| VOLTS | 208-230/460 | | | | | | | | |
| AMP | 12.8-12/6 | | | | | | | | |
| RPM | 3450 | | | | | | | | |
| FRAME | 182TC | HZ | 60 | PH | 3 | | | | |
| SER.F. | 1.15 | CODE | K | DES | A | CL | F | | |
| NEMA-NOM-EFF | 86.5 | PF | 91 | | | | | | |
| RATING | 40C AMB-CONT | | | | | | | | |
| CC | 010A | USABLE AT 208V | | | | | | | |
| DE | 6206 | ODE | 6205 | | | | | | |
| ENCL | OPSB | SN | | | | | | | |
| | | | | | | | | | |

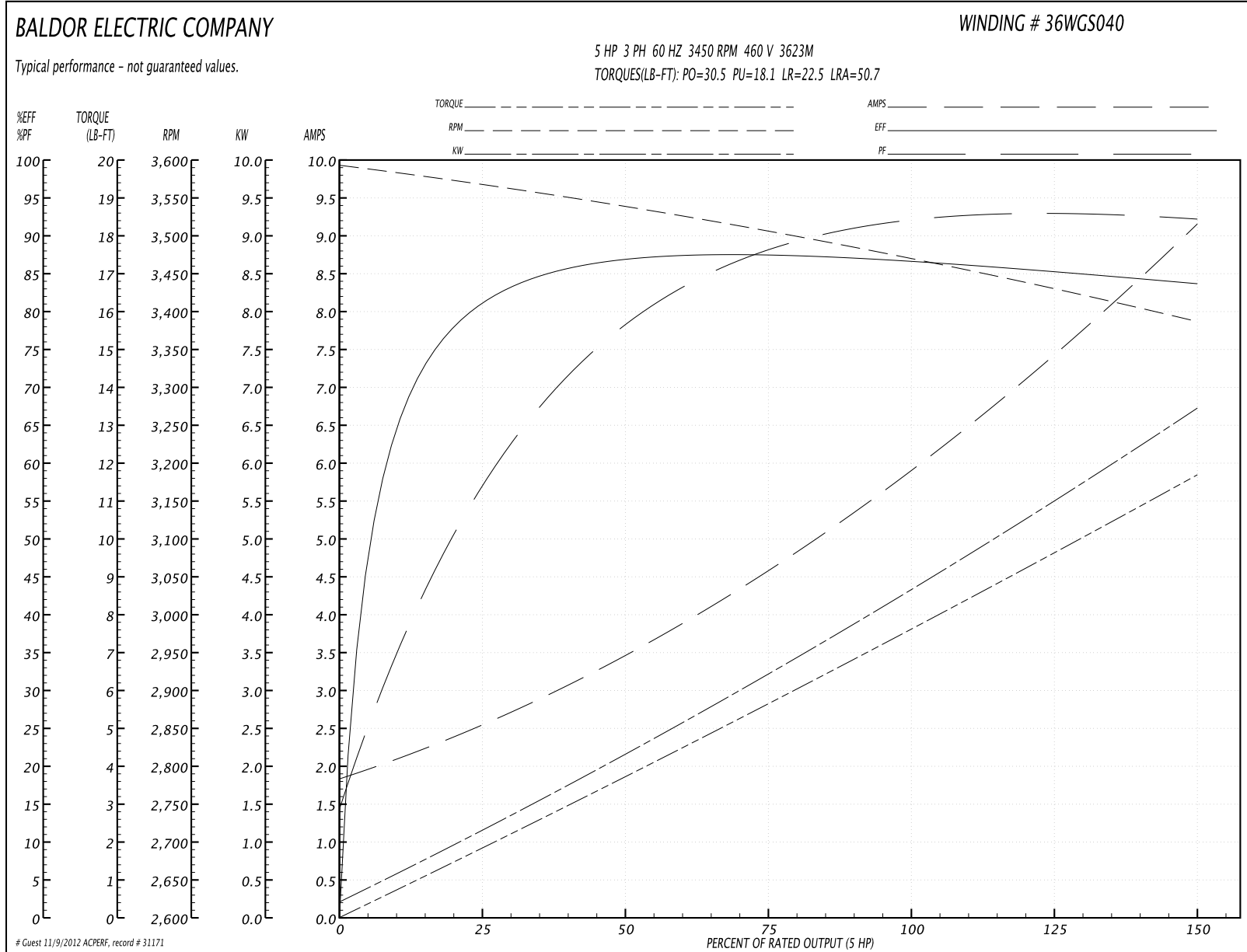
| Parts List | | |
|----------------|--|----------|
| Part Number | Description | Quantity |
| SA200999 | SA 36B102S040G1 | 1.000 EA |
| RA188304 | RA 36B102S040G1 | 1.000 EA |
| S/P107-000-001 | SUPER E PROC'S-FS & WS PLTS-POLYREX EM G | 1.000 EA |
| 36CB3004 | 36 CB CASTING W/1.09 DIA LEAD HOLE @ 6:0 | 1.000 EA |
| 51XB1016A08 | 10-16X 1/2HXWSSLD SERTYB | 2.000 EA |
| 11XW1032G06 | 10-32 X .38, TAPTITE II, HEX WSHR SLTD U | 1.000 EA |
| HW3001B01 | 003SS CUP WASHER, FOR #8 SCREW | 1.000 EA |
| 36EP3200A01SP | FR ENDPLATE, MACH | 1.000 EA |
| HW4500A01 | 1641B(ALEMITE)400 UNIV, GREASE FITT | 1.000 EA |
| HW5100A05 | WVY WSHR F/205 & 304 BRGS | 1.000 EA |
| 36EP3403A02 | PU ENDPLATE, MACH | 1.000 EA |
| HW4500A01 | 1641B(ALEMITE)400 UNIV, GREASE FITT | 1.000 EA |
| 10XN2520A28 | 1/4-20X 1 3/4 HEX HD | 4.000 EA |
| HW1001A25 | LOCKWASHER 1/4, ZINC PLT .493 OD, .255 I | 4.000 EA |
| 36CB4516 | 36 LIPPED CB LID | 1.000 EA |
| 51XW0832A07 | 8-32 X .44, TAPTITE II, HEX WSHR SLTD SE | 4.000 EA |
| HW2501E16 | 3KEY, 1/4 SQ X 1.750 | 1.000 EA |
| HA7000A02 | KEY RETAINER RING, 1 1/8 DIA, 1 3/8 DIA | 1.000 EA |
| 85XU0407S04 | 4X1/4 U DRIVE PIN STAINLESS | 2.000 EA |
| MJ1000A75 | GREASE, POLYREX EM EXXON | 0.050 LB |
| MG1000Y03 | WILKO 689.710 GOLD PAINT SUPER E | 0.022 GA |
| HA3101A23 | THRUBOLT 1/4-20 X 9.625 DEMBY | 4.000 EA |
| 36AD2004A01 | BAFFLE PLATE,MOD 36-SLTD BAND MTRS DELTA | 2.000 EA |
| LC0005E01 | CONN.DIA./WARNING LABEL (LC0005/LB1119) | 1.000 EA |

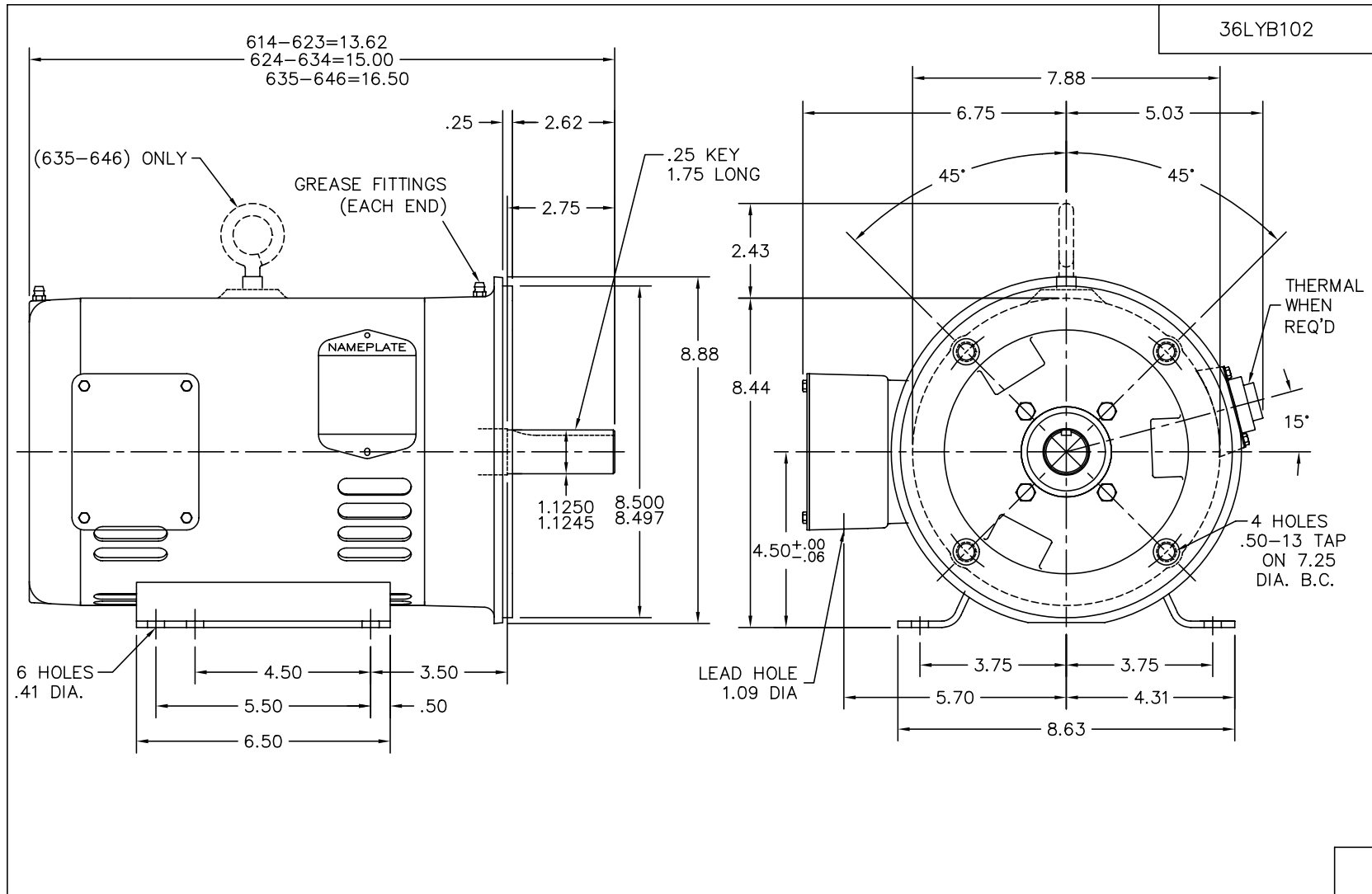
| Parts List (continued) | | |
|------------------------|--|----------|
| Part Number | Description | Quantity |
| LB1125C02 | SUPER-E (STOCK CTN LABEL SUPER-E WITH FL | 1.000 EA |
| LB1357 | ENERGY GUIDE LABEL (BOX LABEL) | 1.000 SH |
| NP1259L | ALUM SUPER-E UL CSA-EEV CC NEMA PREMIUM | 1.000 EA |
| 36PA1000 | PACK GROUP W/LB5001 | 1.000 EA |

Performance Data at 460V, 60Hz, 5.0HP (Typical performance - Not guaranteed values)

| General Characteristics | | | | | | | |
|--------------------------|--------------------------------|--------|--------|----------------------|------------|--------|--------|
| Full Load Torque: | 7.66 LB-FT | | | Start Configuration: | DOL | | |
| No-Load Current: | 1.93 Amps | | | Break-Down Torque: | 30.5 LB-FT | | |
| Line-line Res. @ 25°C.: | 3.06 Ohms A Ph / 0.0 Ohms B Ph | | | Pull-Up Torque: | 18.1 LB-FT | | |
| Temp. Rise @ Rated Load: | 34 C | | | Locked-Rotor Torque: | 22.5 LB-FT | | |
| Temp. Rise @ S.F. Load: | 42 C | | | Starting Current: | 50.7 Amps | | |
| Load Characteristics | | | | | | | |
| % of Rated Load | 25 | 50 | 75 | 100 | 125 | 150 | S.F. |
| Power Factor: | 62.0 | 81.0 | 88.0 | 91.0 | 92.0 | 93.0 | 92.0 |
| Efficiency: | 81.1 | 86.7 | 87.6 | 86.9 | 85.5 | 83.7 | 86.1 |
| Speed: | 3567.0 | 3537.0 | 3506.0 | 3469.0 | 3429.0 | 3387.0 | 3445.0 |
| Line Amperes: | 2.45 | 3.44 | 4.64 | 6.02 | 7.51 | 9.09 | 6.91 |

Performance Graph at 460V, 60Hz, 5.0HP Typical performance - Not guaranteed values

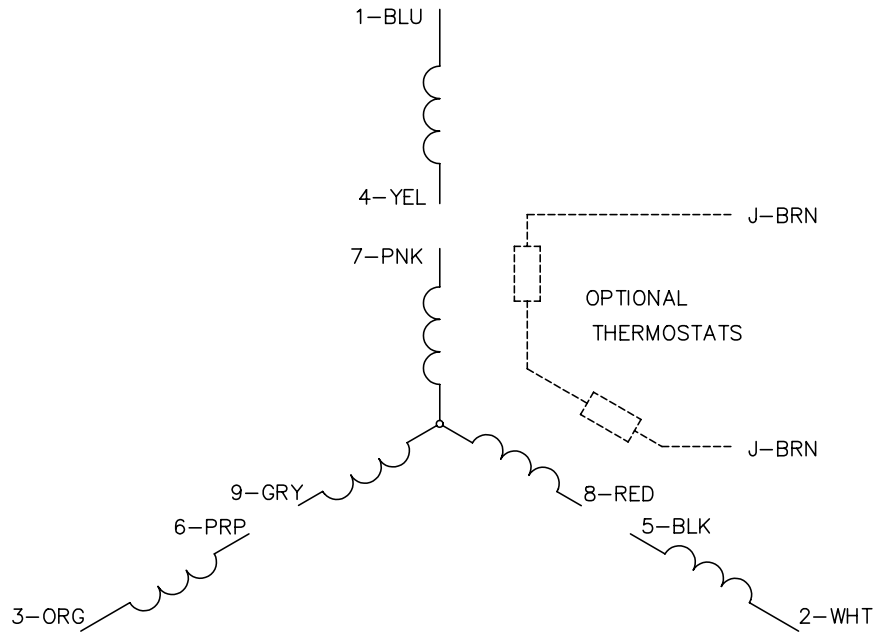




| | | | | | | | | | | | |
|-------------|---------|------------------------|--|--------------|--|---|--|-------|--|------|--|
| CUST. NAME | | CUST. P.O. | | CERTIFIED BY | | MODEL | | INSUL | | AMB | |
| H.P. | | MTG | | TYPE | | R.P.M. | | VOLTS | | ENCL | |
| PHASE | | FREQ | | FRAME | | REV. DESC: OPSB WAS OPEN IN THE DESC. | | | | | |
| REV. LTR: D | BY: SSS | REVISED: 07/28/99 2:06 | | TDR: 0187013 | | <h2>BALDOR ELECTRIC Co.</h2> <p>HORZ 182-4TC OPSB 36M</p> | | | | | |
| 36LYB102 | | FILE: AAA00048653 | | MDL: - | | | | | | | |

36LYB102

CD0005

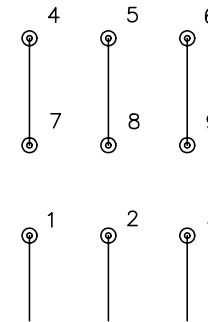


LOW VOLTAGE
(2Y)



LINE

HIGH VOLTAGE
(1Y)



LINE

NOTES:

1. INTERCHANGE ANY TWO LINE LEADS TO REVERSE ROTATION.
2. OPTIONAL THERMOSTATS ARE PROVIDED WHEN SPECIFIED.
3. ACTUAL NUMBER OF INTERNAL PARALLEL CIRCUITS MAY BE A MULTIPLE OF THOSE SHOWN ABOVE.
4. LEAD COLORS ARE OPTIONAL. LEADS MUST ALWAYS BE NUMBERED AS SHOWN.

| | | | |
|---|---------|-------------------------|--------------|
| REV. DESC: REVISE TO SHOW OPTIONAL COLORS | | | |
| REV. LTR: E | BY: JLP | REVISED: 01/19/99 10:15 | TDR: 0171435 |
| 90000 | | FILE: AAA00005140 | MDL: - |
| | | MTL: - | |

BALDOR ELECTRIC Co.

3PH, DV, 9 LEADS

CD0005