

BALDOR® • ***RELIANCE***

Product Information Packet

CEM3313T

10HP,1770RPM,3PH,60HZ,215TC,3739M,OPSB,F

Copyright © All product information within this document is subject to Baldor Electric Company copyright © protection, unless otherwise noted.

Part Detail									
Revision:	A	Status:	PRD/A	Change #:		Proprietary:	No		
Type:	AC	Prod. Type:	3739M	Elec. Spec:	37WGT853	CD Diagram:			
Enclosure:	OPSB	Mfg Plant:		Mech. Spec:	37B102	Layout:			
Frame:	215TC	Mounting:	F1	Poles:	04	Created Date:	07-30-2010		
Base:	RG	Rotation:	R	Insulation:	F	Eff. Date:	04-10-2012		
Leads:	9#14	Literature:		Elec. Diagram:		Replaced By:			
Nameplate NP1259L									
CAT.NO.	CEM3313T								
SPEC.	37B102T853G1								
HP	10								
VOLTS	208-230/460								
AMP	26-25/12.5								
RPM	1770								
FRAME	215TC	HZ			60	PH	3		
SER.F.	1.15	CODE			H	DES	B	CL	F
NEMA-NOM-EFF	91.7	PF			82				
RATING	40C AMB-CONT								
CC	010A	USABLE AT 208V			26				
DE	6307	ODE			6206				
ENCL	OPSB	SN							

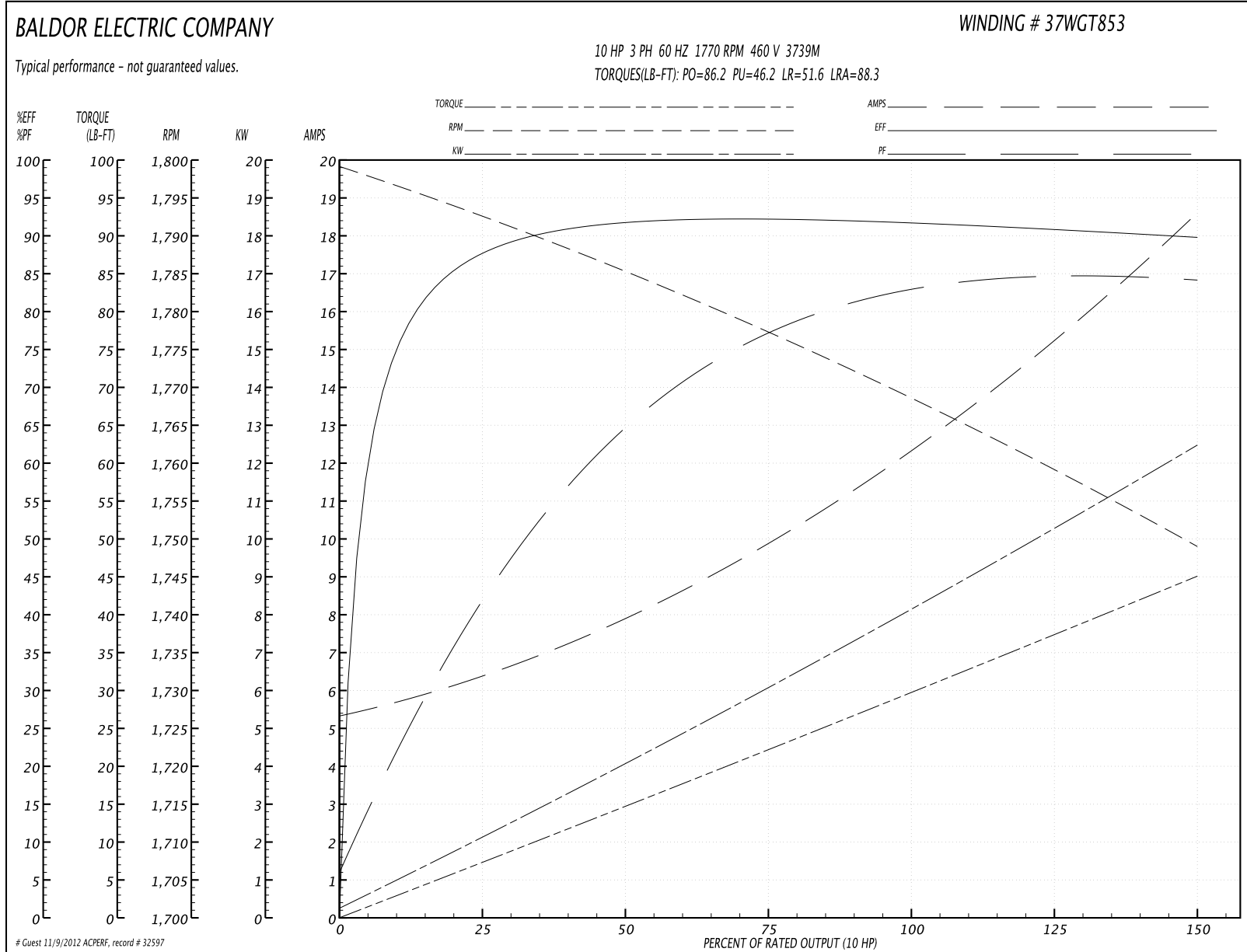
Parts List		
Part Number	Description	Quantity
SA200638	SA 37B102T853G1	1.000 EA
RA187949	RA 37B102T853G1	1.000 EA
S/P107-000-001	SUPER E PROC'S-FS & WS PLTS-POLYREX EM G	1.000 EA
HA6361A01	LIFTING LUG FOR 37, 39 & 40 FRAME (AUTOP	2.000 EA
37CB3006	37 CB CASTING W/1.38 LEAD HOLE @ 6:00	1.000 EA
51XW2520A10	.25-20 X .62, TAPTITE II, HEX WSHR SLTD	2.000 EA
11XW1032G06	10-32 X .38, TAPTITE II, HEX WSHR SLTD U	1.000 EA
37EP3200A01SP	FR ENDPLATE, 37L&M, OPEN, MACH, W/GREASE	1.000 EA
HW4500A01	1641B(ALEMITE)400 UNIV, GREASE FITT	1.000 EA
HW5100A06	W2420-025 WVY WSHR (WB)	1.000 EA
37EP3400A01	FACE MT EP-OPEN-307 BRG-213-215TC W/GREA	1.000 EA
HW4500A01	1641B(ALEMITE)400 UNIV, GREASE FITT	1.000 EA
10XN2520A30	HEX HD CAP SCREW-STD THD-.25 X 20 THD PE	4.000 EA
HW1001A25	LOCKWASHER 1/4, ZINC PLT .493 OD, .255 I	4.000 EA
XY3118A12	5/16-18 HEX NUT DIRECTIONAL SERRATION	4.000 EA
37CB4516	LIPPED LID FOR 37 FRAME NEC KOBX	1.000 EA
51XW0832A07	8-32 X .44, TAPTITE II, HEX WSHR SLTD SE	4.000 EA
HW2501F21	KEY, 5/16 SQ X 2.375	1.000 EA
HA7000A02	KEY RETAINER RING, 1 1/8 DIA, 1 3/8 DIA	1.000 EA
85XU0407S04	4X1/4 U DRIVE PIN STAINLESS	2.000 EA
LB1115	LABEL,LIFTING DEVICE	1.000 EA
MJ1000A75	GREASE, POLYREX EM EXXON	0.050 LB
37AD2001A01	BAFFLE PLATE, STAMPED	2.000 EA
MG1000Y03	WILKO 689.710 GOLD PAINT SUPER E	0.028 GA

Parts List (continued)		
Part Number	Description	Quantity
HA3104A35	THRUBOLT .31-18 X 13.687	4.000 EA
LC0005E01	CONN.DIA./WARNING LABEL (LC0005/LB1119)	1.000 EA
LB1125C02	SUPER-E (STOCK CTN LABEL SUPER-E WITH FL	1.000 EA
LB1357	ENERGY GUIDE LABEL (BOX LABEL)	1.000 SH
NP1259L	ALUM SUPER-E UL CSA-EEV CC NEMA PREMIUM	1.000 EA
G0PA1000	PACKAGING GROUP	1.000 EA

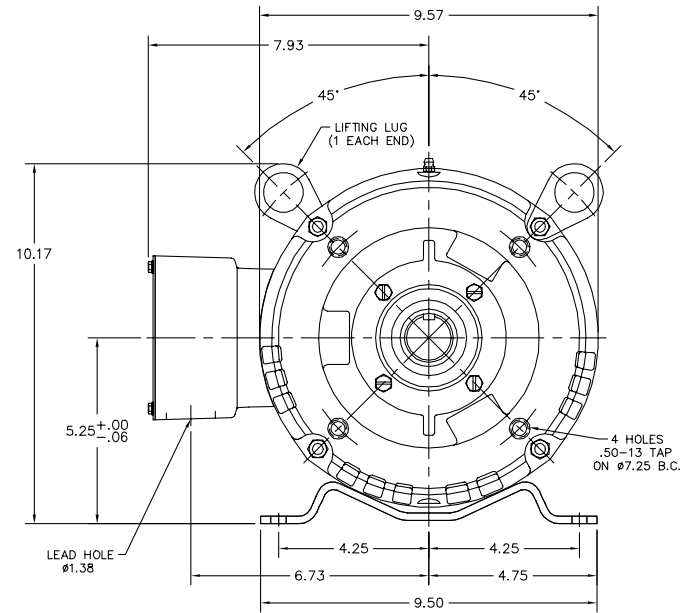
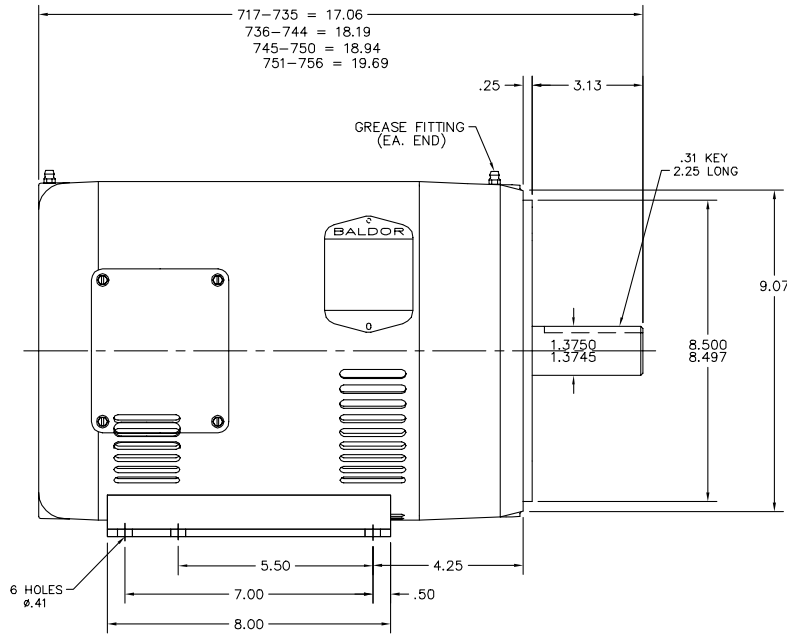
Performance Data at 460V, 60Hz, 10.0HP (Typical performance - Not guaranteed values)

General Characteristics							
Full Load Torque:	29.7 LB-FT			Start Configuration:	DOL		
No-Load Current:	5.51 Amps			Break-Down Torque:	86.2 LB-FT		
Line-line Res. @ 25°C.:	1.18 Ohms A Ph / 0.0 Ohms B Ph			Pull-Up Torque:	46.2 LB-FT		
Temp. Rise @ Rated Load:	34 C			Locked-Rotor Torque:	51.6 LB-FT		
Temp. Rise @ S.F. Load:	42 C			Starting Current:	88.3 Amps		
Load Characteristics							
% of Rated Load	25	50	75	100	125	150	S.F.
Power Factor:	44.0	66.0	77.0	82.0	84.0	85.0	83.0
Efficiency:	87.6	91.6	92.3	91.9	91.0	89.8	91.4
Speed:	1793.0	1785.0	1777.0	1769.0	1759.0	1749.0	1763.0
Line Amperes:	6.15	7.79	9.93	12.5	15.3	18.5	14.2

Performance Graph at 460V, 60Hz, 10.0HP Typical performance - Not guaranteed values



37LYB102



37LYB102

CUSTOMER IS RESPONSIBLE FOR DETERMINING THAT BALDOR'S PRODUCT WILL PERFORM SUITABLY IN THE INTENDED APPLICATION.

REV. DESC: CORRECTED LIFTING LUG GRAPHICS	VERSION: 01	TDR: 000000487051
REV. LTR: E	REVISED: 08:23:39 01/09/2009	BY: ENSTES0
FILE: \AAA\00045\872		
MTL: -		

BALDOR • DODGE • RELIANCE

STD HORZ 213-5TC OPSB 37M

SH 1 of 1

CD0005



LOW VOLTAGE
(2Y)



LINE

HIGH VOLTAGE
(1Y)



LINE

NOTES:

1. INTERCHANGE ANY TWO LINE LEADS TO REVERSE ROTATION.
2. OPTIONAL THERMOSTATS ARE PROVIDED WHEN SPECIFIED.
3. ACTUAL NUMBER OF INTERNAL PARALLEL CIRCUITS MAY BE A MULTIPLE OF THOSE SHOWN ABOVE.
4. LEAD COLORS ARE OPTIONAL. LEADS MUST ALWAYS BE NUMBERED AS SHOWN.

REV. DESC: REVISE TO SHOW OPTIONAL COLORS			
REV. LTR: E	BY: JLP	REVISED: 01/19/99 10:15	TDR: 0171435
90000		FILE: AAA00005140	MDL: -
		MTL: -	

BALDOR ELECTRIC Co.

3PH, DV, 9 LEADS

CD0005