

# **BALDOR**® • *RELIANCE*

## **Product Information Packet**

# **CEM3663T**

**5HP,3475RPM,3PH,60HZ,184TC,0624M,TEFC,F1**

Copyright © All product information within this document is subject to Baldor Electric Company copyright © protection, unless otherwise noted.

Part Detail							
Revision:	B	Status:	PRD/A	Change #:		Proprietary:	No
Type:	AC	Prod. Type:	0624M	Elec. Spec:	06WGW957	CD Diagram:	
Enclosure:	TEFC	Mfg Plant:		Mech. Spec:	06F057	Layout:	
Frame:	184TC	Mounting:	F1	Poles:	02	Created Date:	06-19-2010
Base:	RG	Rotation:	R	Insulation:	F	Eff. Date:	10-20-2011
Leads:	9#16	Literature:		Elec. Diagram:		Replaced By:	

Nameplate NP1259L									
CAT.NO.	CEM3663T								
SPEC.	06F057W957G1								
HP	5								
VOLTS	208-230/460								
AMP	12-12.6/6.3								
RPM	3475								
FRAME	184TC	HZ	60	PH	3				
SER.F.	1.15	CODE	K	DES	A	CL	F		
NEMA-NOM-EFF	88.5	PF	84						
RATING	40C AMB-CONT								
CC	010A	USABLE AT 208V							
DE	6206	ODE	6205						
ENCL	TEFC	SN							

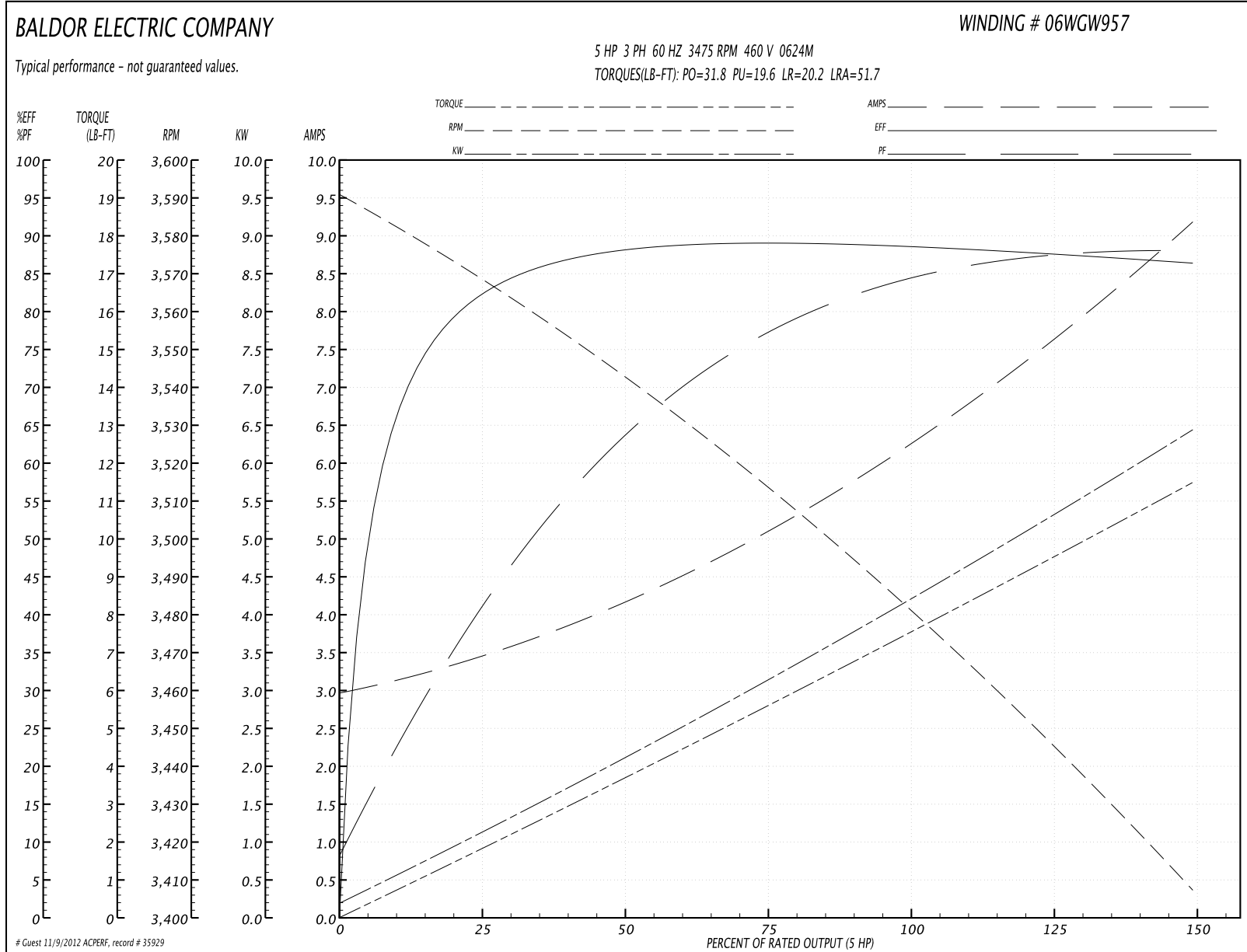
Parts List		
Part Number	Description	Quantity
SA199295	SA 06F057W957G1	1.000 EA
RA186631	RA 06F057W957G1	1.000 EA
34FN3002B02	EXTERNAL FAN, PLASTIC, .905/.907 HUB W/	1.000 EA
S/P107-000-001	SUPER E PROC'S-FS & WS PLTS-POLYREX EM G	1.000 EA
HW3201A05	3/8-16 EYEBOLT	1.000 EA
06CB3000	CONDUIT BOX CAST	1.000 EA
06GS1000	GASKET,CONDUIT BOX	1.000 EA
51XW2520A12	.25-20 X .75, TAPTITE II, HEX WSHR SLTD	2.000 EA
11XW1032G06	10-32 X .38, TAPTITE II, HEX WSHR SLTD U	1.000 EA
HW3001B01	003SS CUP WASHER, FOR #8 SCREW	1.000 EA
36EP1101A21	FR ENDPLATE, MACH	1.000 EA
HW4500A01	1641B(ALEMITE)400 UNIV, GREASE FITT	1.000 EA
HW4500A17	317400 ALEMITE GREASE RELIEF	1.000 EA
HW5100A05	WVY WSHR F/205 & 304 BRGS	1.000 EA
36EP1300A13	PU ENDPLATE, MACH	1.000 EA
HW4500A01	1641B(ALEMITE)400 UNIV, GREASE FITT	1.000 EA
HW4500A17	317400 ALEMITE GREASE RELIEF	1.000 EA
10XN2520A26	1/4-20X 1 5/8 HEX HD	4.000 EA
HW1001A25	LOCKWASHER 1/4, ZINC PLT .493 OD, .255 I	4.000 EA
HA3101A34	THRUBOLT- 1/4-20 X 10.375	4.000 EA
51XB1214A16	12-14X1.00 HXWSSLD SERTYB	1.000 EA
36FH4009A31	IEC FH W/GREASER & SPL NOTCH, W/ AUTOPHE	1.000 EA
51XW1032A06	10-32 X .38, TAPTITE II, HEX WSHR SLTD S	3.000 EA
06CB3500	CONDUIT BOX LID - ALUMINUM DIE CAST	1.000 EA

Parts List (continued)		
Part Number	Description	Quantity
06GS1001	GASKET, CONDUIT BOX LID	1.000 EA
51XW2520A12	.25-20 X .75, TAPTITE II, HEX WSHR SLTD	2.000 EA
HW2501E16	3KEY, 1/4 SQ X 1.750	1.000 EA
HA7000A02	KEY RETAINER RING, 1 1/8 DIA, 1 3/8 DIA	1.000 EA
85XU0407S04	4X1/4 U DRIVE PIN STAINLESS	2.000 EA
LB1115	LABEL,LIFTING DEVICE	1.000 EA
MJ1000A75	GREASE, POLYREX EM EXXON	0.050 LB
MG1000Y03	WILKO 689.710 GOLD PAINT SUPER E	0.028 GA
LB1125C02	SUPER-E (STOCK CTN LABEL SUPER-E WITH FL	1.000 EA
LB1357	ENERGY GUIDE LABEL (BOX LABEL)	1.000 SH
LC0005E01	CONN.DIA./WARNING LABEL (LC0005/LB1119)	1.000 EA
NP1259L	ALUM SUPER-E UL CSA-EEV CC NEMA PREMIUM	1.000 EA
36PA1001	PACKAGING GROUP	1.000 EA

**Performance Data at 460V, 60Hz, 5.0HP (Typical performance - Not guaranteed values)**

General Characteristics							
Full Load Torque:	7.5 LB-FT			Start Configuration:	DOL		
No-Load Current:	3.04 Amps			Break-Down Torque:	31.8 LB-FT		
Line-line Res. @ 25°C.:	2.45 Ohms A Ph / 0.0 Ohms B Ph			Pull-Up Torque:	19.6 LB-FT		
Temp. Rise @ Rated Load:	67 C			Locked-Rotor Torque:	20.2 LB-FT		
Temp. Rise @ S.F. Load:	81 C			Starting Current:	51.7 Amps		
Load Characteristics							
% of Rated Load	25	50	75	100	125	150	S.F.
Power Factor:	42.0	64.0	77.0	84.0	87.0	89.0	86.0
Efficiency:	81.6	87.8	89.0	88.7	87.8	86.3	88.2
Speed:	3571.0	3543.0	3514.0	3481.0	3447.0	3407.0	3461.0
Line Amperes:	3.34	4.11	5.1	6.26	7.67	9.13	7.11

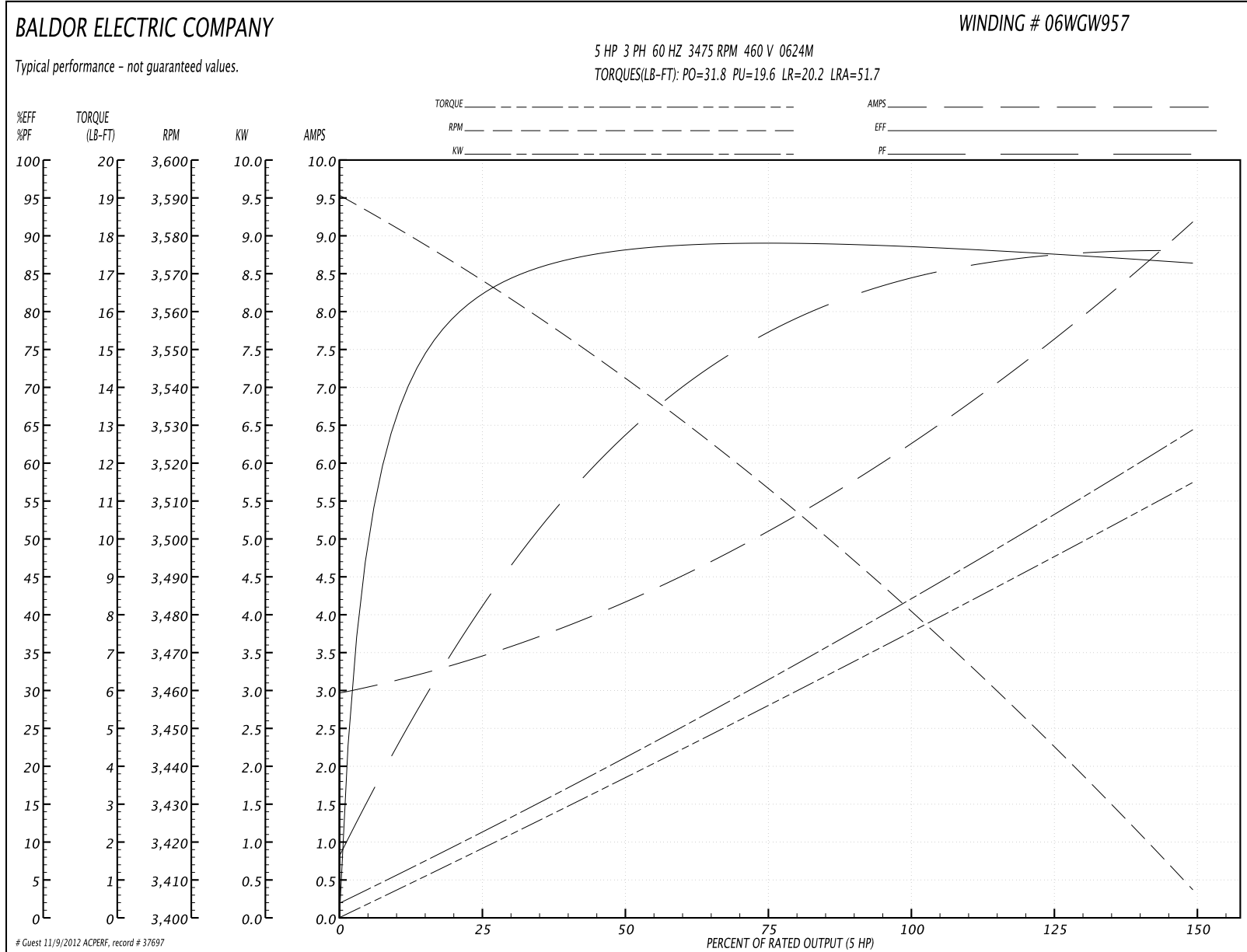
Performance Graph at 460V, 60Hz, 5.0HP Typical performance - Not guaranteed values



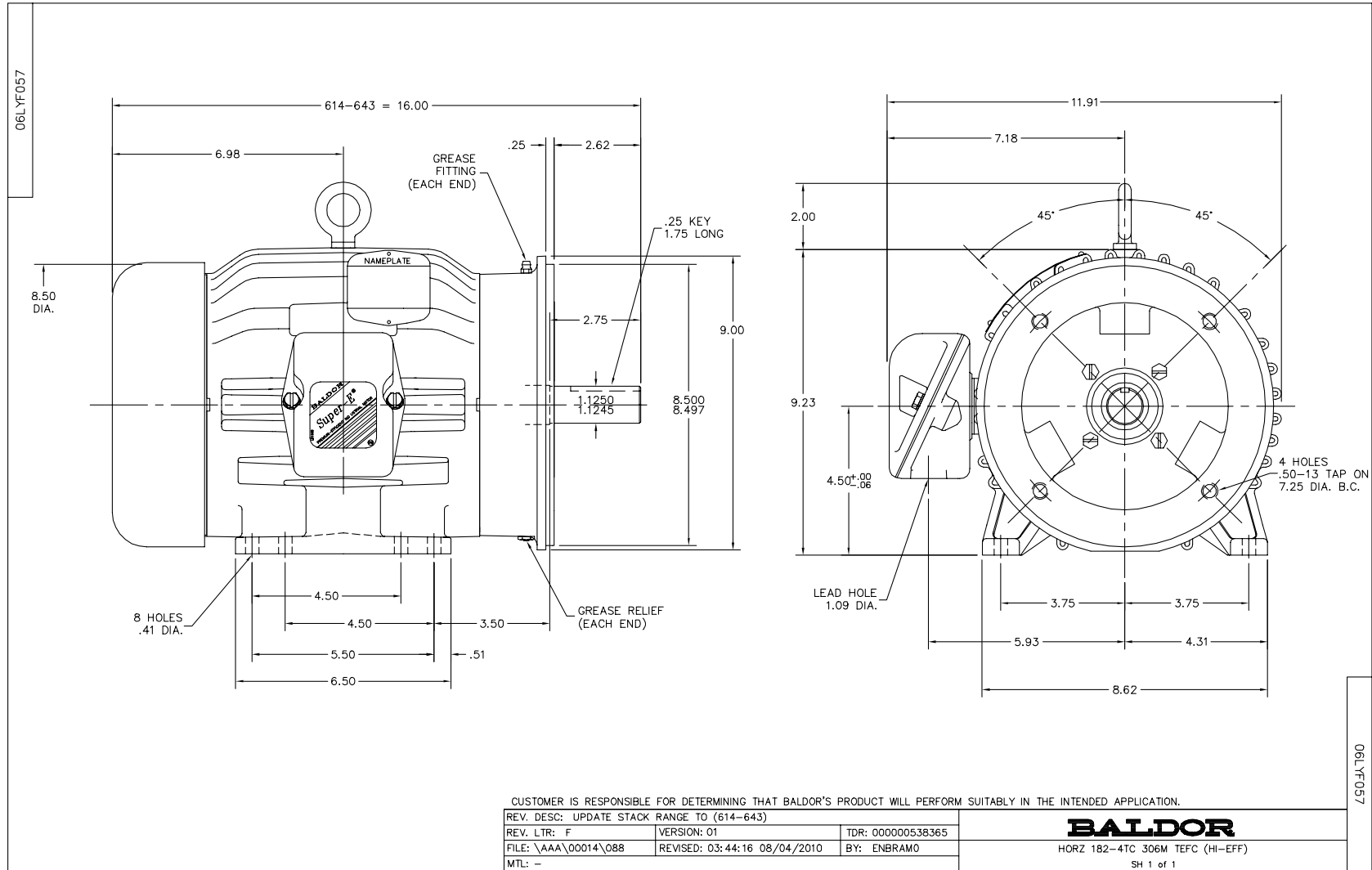
**Performance Data at 460V, 60Hz, 5.0HP (Typical performance - Not guaranteed values)**

General Characteristics							
Full Load Torque:	7.5 LB-FT			Start Configuration:	DOL		
No-Load Current:	3.04 Amps			Break-Down Torque:	31.8 LB-FT		
Line-line Res. @ 25°C.:	2.5641 Ohms A Ph / 0.0 Ohms B Ph			Pull-Up Torque:	19.6 LB-FT		
Temp. Rise @ Rated Load:	67 C			Locked-Rotor Torque:	20.2 LB-FT		
Temp. Rise @ S.F. Load:	83 C			Starting Current:	51.7 Amps		
Load Characteristics							
% of Rated Load	25	50	75	100	125	150	S.F.
Power Factor:	42.0	64.0	77.0	84.0	87.0	89.0	86.0
Efficiency:	81.7	87.9	89.1	88.8	87.7	86.3	88.1
Speed:	3570.6	3542.7	3514.0	3480.8	3446.6	3407.3	3460.0
Line Amperes:	3.34	4.11	5.1	6.26	7.67	9.13	7.11

Performance Graph at 460V, 60Hz, 5.0HP Typical performance - Not guaranteed values







CD0005



LOW VOLTAGE  
(2Y)



LINE

HIGH VOLTAGE  
(1Y)



LINE

NOTES:

1. INTERCHANGE ANY TWO LINE LEADS TO REVERSE ROTATION.
2. OPTIONAL THERMOSTATS ARE PROVIDED WHEN SPECIFIED.
3. ACTUAL NUMBER OF INTERNAL PARALLEL CIRCUITS MAY BE A MULTIPLE OF THOSE SHOWN ABOVE.
4. LEAD COLORS ARE OPTIONAL. LEADS MUST ALWAYS BE NUMBERED AS SHOWN.

REV. DESC: REVISE TO SHOW OPTIONAL COLORS			
REV. LTR: E	BY: JLP	REVISED: 01/19/99 10:15	TDR: 0171435
90000		FILE: AAA00005140	MDL: -
		MTL: -	

**BALDOR ELECTRIC Co.**

3PH, DV, 9 LEADS

CD0005